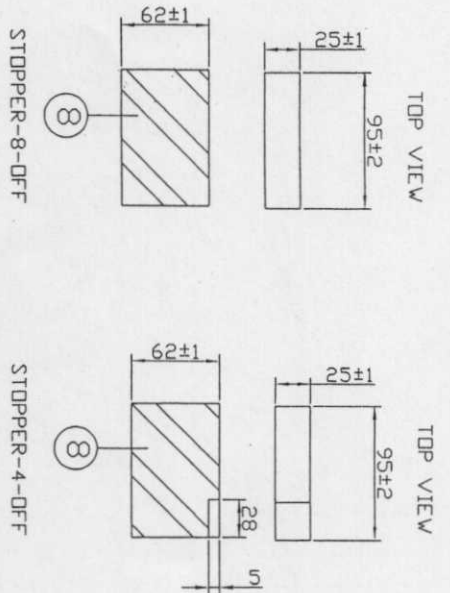
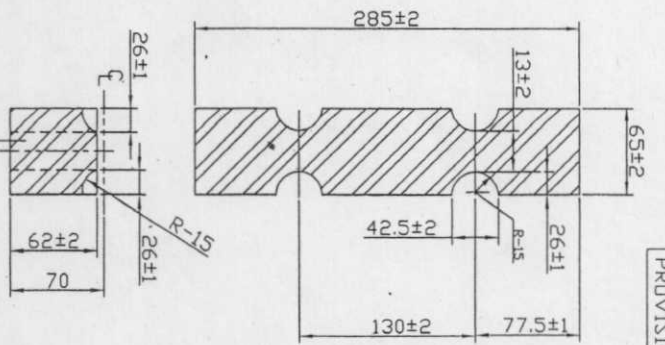


MATL-CROSSLINKED POLYETHYLENE FOAM  
 BASED CUSHIONING MATERIAL  
 (CAPCELL) AS PER SPECN. IND/ME/1022(PRDV.)  
 DENSITY 140-170 Kg/m³

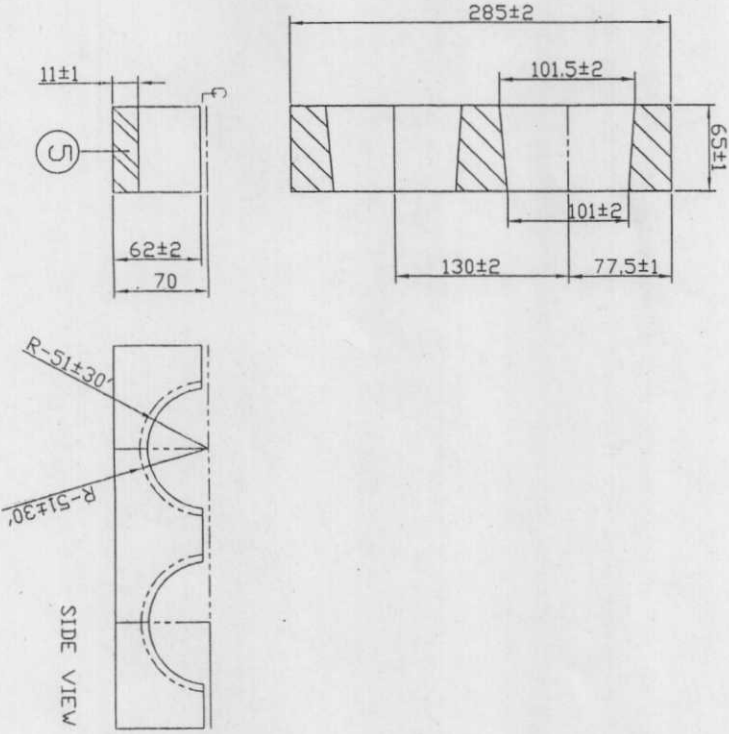
INSP. DATE	HDS CAD-C	DA No	ITEM No.	DESCRIPTION	No. DFT	MATERIAL
			4	FITMENT-II	4	CROSSLINKED POLYETHYLENE FOAM BASED CUSHIONING MATL. AS PER SPECN. IND/ME/1022(PRDV.) DENSITY -140-170 Kg/m³
			3	FITMENT-III	4	CROSSLINKED POLYETHYLENE FOAM BASED CUSHIONING MATL. AS PER SPECN. IND/ME/1022(PRDV.) DENSITY -140-170 Kg/m³
			2	FITMENT-IV	4	CROSSLINKED POLYETHYLENE FOAM BASED CUSHIONING MATL. AS PER SPECN. IND/ME/1022(PRDV.) DENSITY -140-170 Kg/m³
AMENDMENTS			FITMENT FOR PACKING OF ROUND 25lbs. FOR BOX C-235			
HEAT TREATMENT RC.			M/C			
Jt.GM/R&D			DRG. No. KHPK-210098			
HDS/R&D			SCALE-1:1			
HDS CAD-C			No. OF SHT. -4			
CKD			SHEET No. -3			
DRN			ORDNANCE FACTORY KHANAMARIA			
APPROVED BY			STORE- BOMB A/C PRACTICE SMOKE			
AGAW(CAD) KHANAMARIA			DRG. No.			
VETTED			DRG. No.			
(MRK RAJU) (D/LAS)			DRG. No.			



8 STOPPER  
MATERIAL - GROSS LINKED POLYETHYLENE FOAM  
BASED CUSHIONING MATL.  
AS PER SPECN. IND/ME/1022(PRDV)  
DENSITY - 140 - 170 Kg/m<sup>3</sup>



6 MIDDLE FITMENT  
GROSS LINKED POLYETHYLENE FOAM  
BASED CUSHIONING MATL.  
AS PER SPECN. IND/ME/1022(PRDV)  
DEN 140 - 170 Kg/m<sup>3</sup>



5 FITMENT-1  
FITMENT-1 4-OFF  
MATERIAL - GROSS LINKED POLYETHYLENE FOAM  
BASED CUSHIONING MATL.  
AS PER SPECN. IND/ME/1022(PRDV)  
DENSITY - 140 - 170 Kg/m<sup>3</sup>

ITEM No.	DESCRIPTION	HEAT TREATMENT R.C.	ITEM No.	DESCRIPTION	HEAT TREATMENT R.C.
8	STOPPER	▽ 125-25 Ra	12	FITMENT FOR PACKING OF ROUND 25lbs. FOR BOX C-235	
6	MIDDLE FITMENT	▽ 16-6.3 Ra	2	FITMENT FOR PACKING OF ROUND 25lbs. FOR BOX C-235	
5	FITMENT-1	▽ 125-25 Ra	4	MATERIAL	

AMENDMENTS	DATE	HOS CAD-C	DA No
Jt.GM/R&D			
HOS/R&D			
HOS CAD-C	25.06.13		
CKD			
DRN			

APPROVED BY	DATE	DRG. No.	STORE:-	COMPT. FILLED ROUND
AKHIL RAJ (DA)			BOMB A/C PRACTICE SMOKE	
VETTED				
DRG. No.				
SHEET No.				

27.06.2012

DRG. No. KHPK-210098  
SCALE-1:4  
1:1