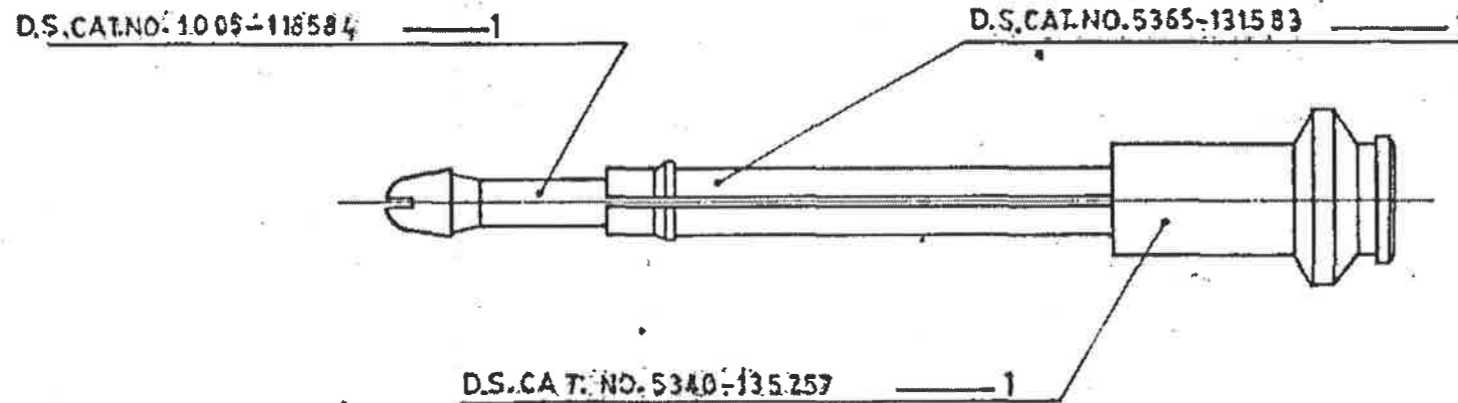


507000-8867 ^{ON} D.S. CAT 4933-000405

DRAWING CONVENTIONS CONFORM TO JSG-0104.
DIMNS. ARE IN mm. GEN. TOL. 'MEDIUM' IS:2102

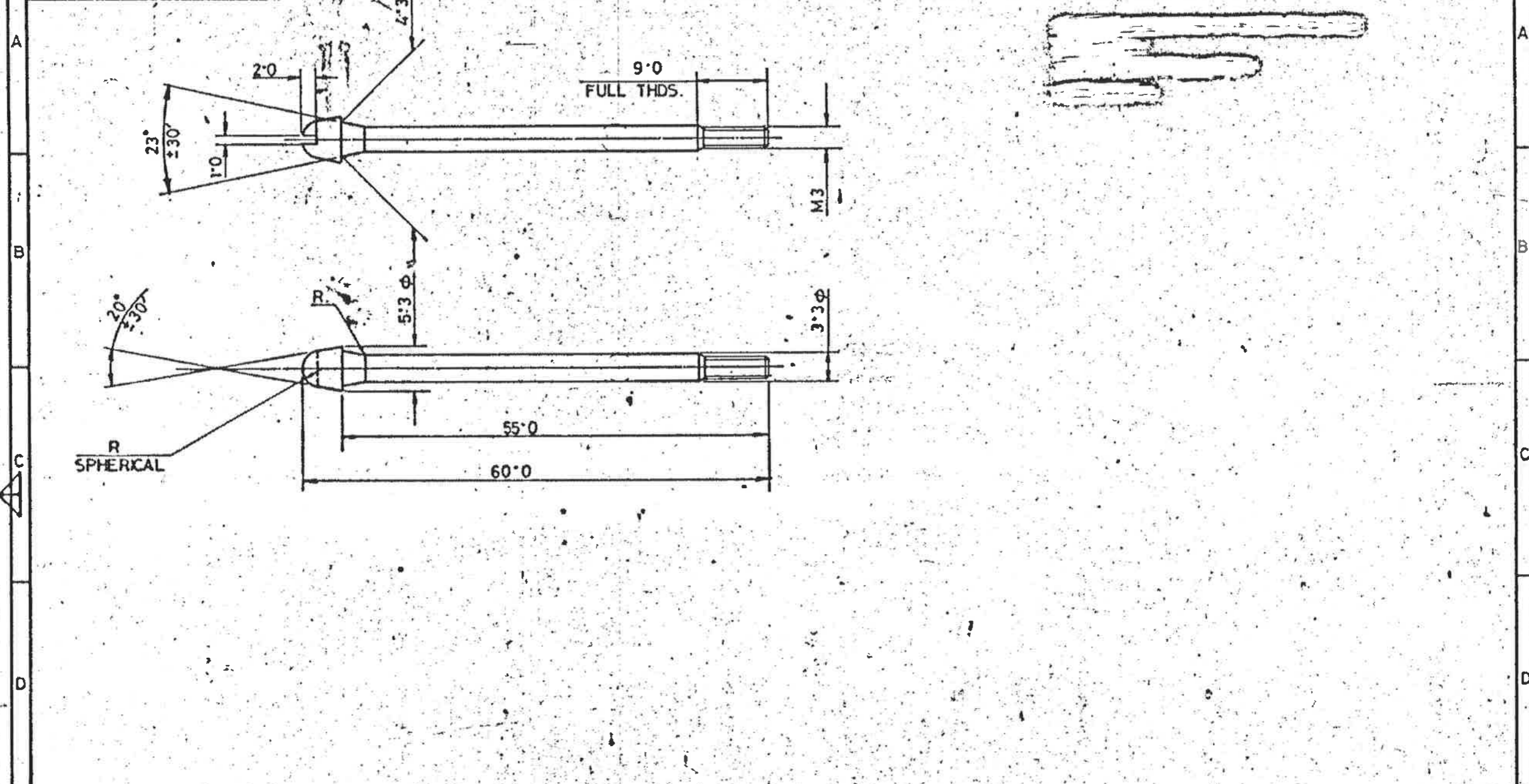


NSN: B2/4933-72-0001405

					DRN.	CHD.	TRD. S. K.P	COMP. <i>M. Banerji</i>	AHSP CQA(SA), ICHAPUR
					SCALE :- 2:1.		EST. MASS		ASSY.
08-7-10	26519-SA	NSN ADDED		<i>AS</i>			APPROVED DT. 27. 3. 85		
20.11.2000	24877-SA	D. S. CAT. NOS. ADDED		<i>AS</i>	DT. 24-7-98	<i>Andas</i>	NEG. RE-TRACED.		
24-7-98	24144-SA	PROFORMA CHANGED, NEG. RE-TRACED AND DRG. PROV. RE-SEALED.		<i>AS</i>					DGMR'S REF. ARDE/TA/94/12
		PREVIOUS D.C. No. 23707-SA.		COPY					PART No.
DATE	AUTHY.	BRIEF RECORD	ZONE	I/C; D.O.	G.O.				DRG. No.
SEALED :- PROV. D. C. No. 23707-SA, DT. 4.3.97				SIGN.			H.T/HARDNESS :-		D.S. CAT. No. 4933-000405
NOMENCLATURE :- TOOL REMOVING RUPTURED CARTRIDGE CASE						PROTECTIVE FINISH :-			

D.S. CAT. No. 1005-118584

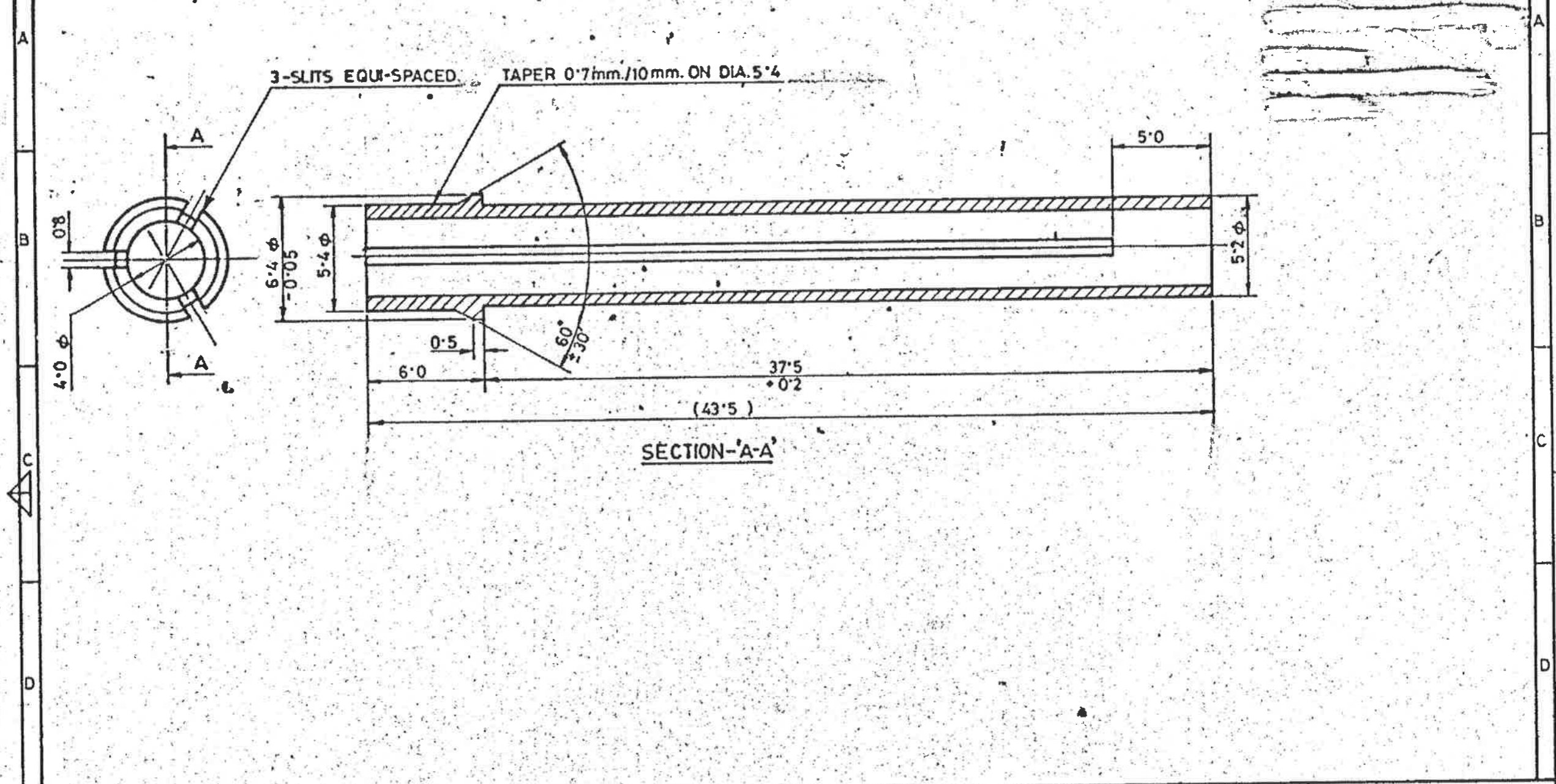
DRAWING CONVENTIONS CONFORM TO JSG-0104,
DIMNS. ARE IN mm. GEN. TOL. 'MEDIUM' IS: 2102.



DRN.		CHD.	TRD. S.K.P.	COMP. <i>Kharabui</i>	AHSP	CQA(SA), KCHAPUR
SCALE :- 2:1			EST. MASS.		ASSY.	D.S. CAT. No. 4933-000405.
1-8-03	25832-SA	MARKING NOTE DELETED.				
20-11-2000	24877-SA	NOMENCLATURE AMENDED AND D.S. CAT. NO. 1005-118584 ADDED				
27-8-98	24167-SA	PROFORMA CHANGED, NOTE DELETED, MARKING NOTE ADDED, NEG. RE-TRACED AND DRG. PROV. RE-SEALED. PREVIOUS D.C. No. 23709-5A.				
DATE	AUTHY.	BRIEF RECORD	ZONE	VC; D.O.	G.O.	DGMR'S REF. ARDE/TA/94/12/3
SEALED:-	PROV. D.C. No. 23709-5A,	DT. 4.3.97		SIGN.		PART. No.
NOMENCLATURE :-		STEM EXPANDING SLEEVE		H.T./HARDNESS:-	350 - 400 H.V.	DRG. No.
		PROTECTIVE FINISH :-	PHOSPHATED TO SPECN. JSS-0465-01-1988 CLASS II (ACCELERATED), OIL FINISH.			D.S. CAT. No. 1005-118584

D.S. CAT. 5365-131583

DRAWING CONVENTIONS CONFORM TO JSG-0104
 DIMNS. ARE IN mm. GEN. TOL. 'MEDIUM' IS: 2102



1-8-2003		25832-SA	MARKING NOTE DELETED.			DRN.	CHD.	TRD. S. K. P.	COMP. <i>M. Banerji</i>	AHSP	CQA(SA), ICHAPUR
20-11-2000		24877-SA	D.S. CAT. NO. 5365-131583 ADDED			SCALE:- 5:1		EST. MASS		ASSY.	D.S. CAT. No. 4933-000405
27-8-98		24167-SA	PROFORMA CHANGED, NOTE DELETED, MARKING NOTE ADDED, NEG. RE-TRACED AND DRG. PROV. RE-SEALED. PREVIOUS D.C. No. 23708-SA			DT. 27-8-98	<i>Andas</i>	APPROVED DT. 27.3.85			
							I/C: D.O.	NEG. RE-TRACED.			
								MATERIAL:-	STEEL TO BS:970 En.42B OR 42C		DGMR'S REF. ARDE/TA/94/12/2
DATE		AUTHY.	BRIEF RECORD	ZONE	I/C: D.O.	G.O.		H.T./HARDNESS:-	350 TO 400 H.V.		PART No.
SEALED:-		PROV. D.C. No. 23708-SA, DT. 4.3.97				SIGN.					DRG. No.
NOMENCLATURE :-		SLEEVE						PROTECTIVE FINISH:-	PHOSPHATED TO SPECN. JSS-0465-01-1988 CLASS II (ACCELERATED) OIL FINISH, COLOUR BLACK.		D.S. CAT. No. 5365-131583