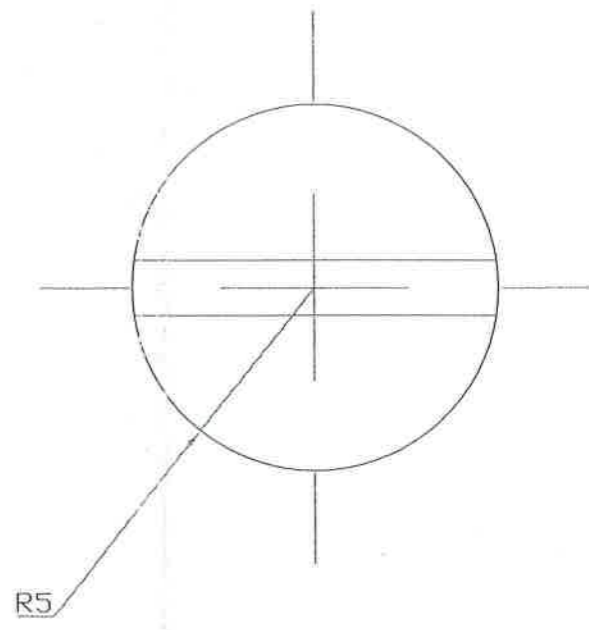
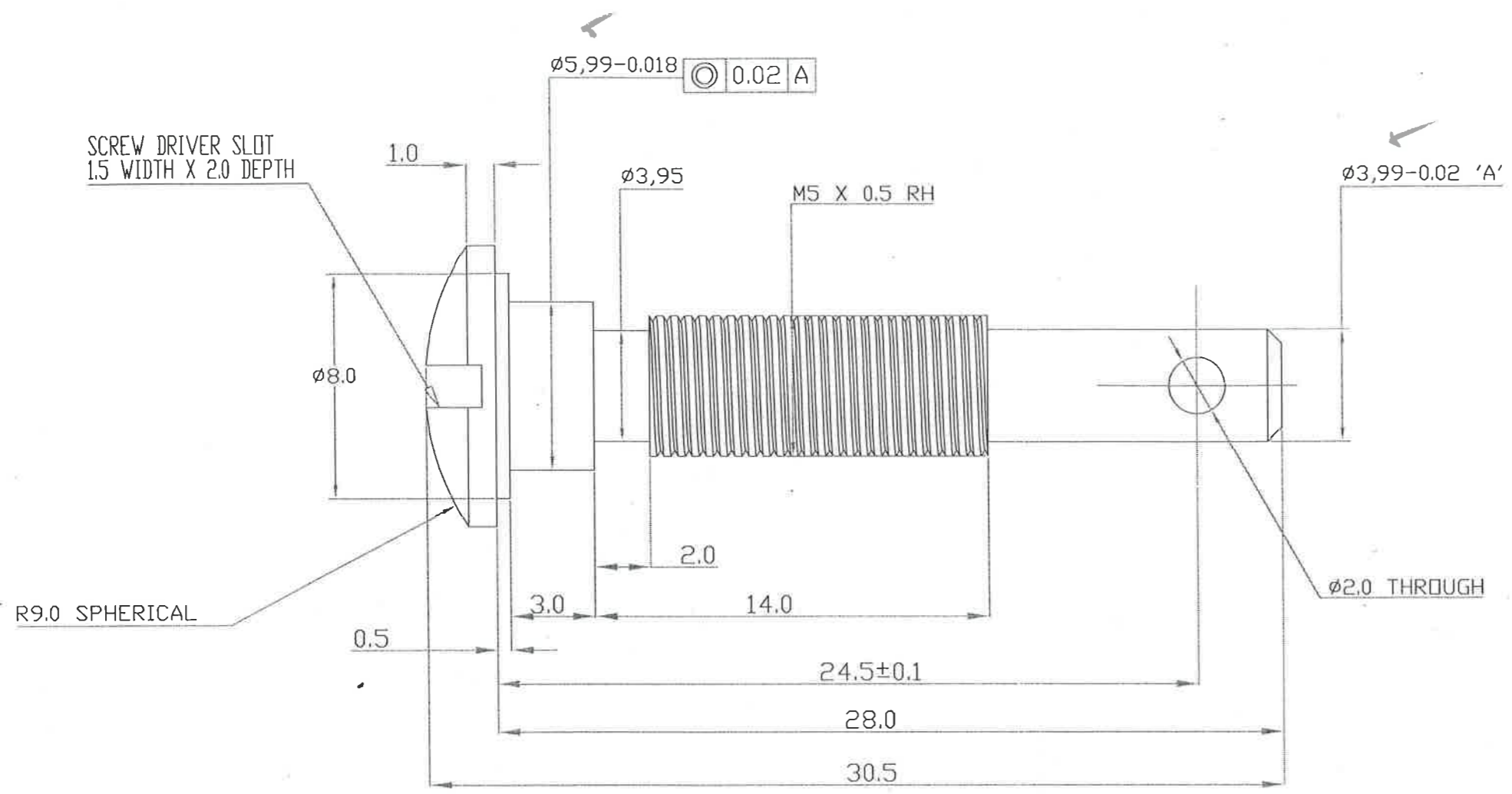


DRG.No. 0204 03 02 00 01 003 00DC

CONTROL COPY No. 03

GEN. TOL. FINE/MEDIUM/COARSE CLASS TO IS: 2102
 DRG. CONVENTIONS CONFIRM TO INDIAN STD. DIMN. IN mm UNLESS OTHERWISE STATED

A
B
C
D
E
F



CONTROL COPY No. 1

Received 29/11/15

2	09/11/15	M-29	DRG. REVISED	---	<i>Arde</i> <i>Arde</i>		
1	14/07/15	M-27	ALT MATL. ADDED.	F-2,3			
Sr. No.	DATE	AUTHORITY	BRIEF RECORD	ZONE	CD GO SIGN		
DRN. PRANAV,	CHD.	<i>Arde</i>	MATERIAL :- STEEL TO IS:5517-1993, Gd-55C8 (En-9)				
APPD. DATE 09/11/15	For Director		PROTECTIVE FINISH :-PHOSPHATED TO SPECN. IS 3618-1966, CLASS 'B'				
SCALE:- 5:1	EST. MASS	TITLE :-					
DESIGN AUTHORITY ARDE PUNE 411021			SCREW AXIS REAR SIGHT				
DRG.No.	0204	03	02	00	01	003	00DC
	IC	SS	S	AA	A	C	SST
PART No.	DS CAT. No.		AHSP				

NOTE:-
 1) REMOVE ALL SHARP EDGES AND BURRS.
 2) HARDNESS : 300-350 HV
 3) DIMN ARE TO BE READ AS APPLIED AFTER PROTECTIVE FINISH.
 4) ALT. MATL.: MIM S7 (AISI S7 Equivalent)
 HARDNESS : 500-600 HV

1 2 3 4 5 6 7 8