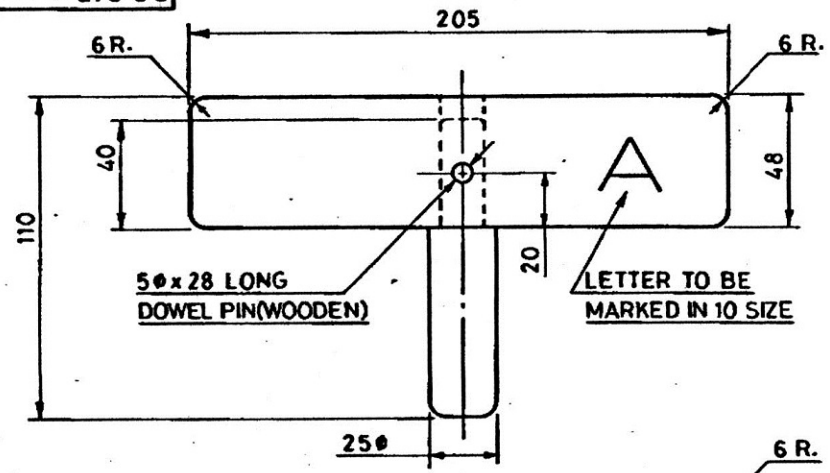
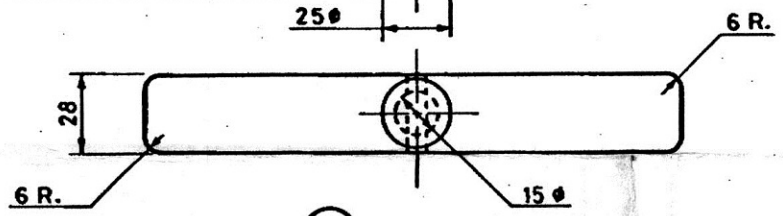


FOR EXPLANATION OF DIMENSIONING ETC SEE  
 ARDE NOTE SHT. NO. 1.

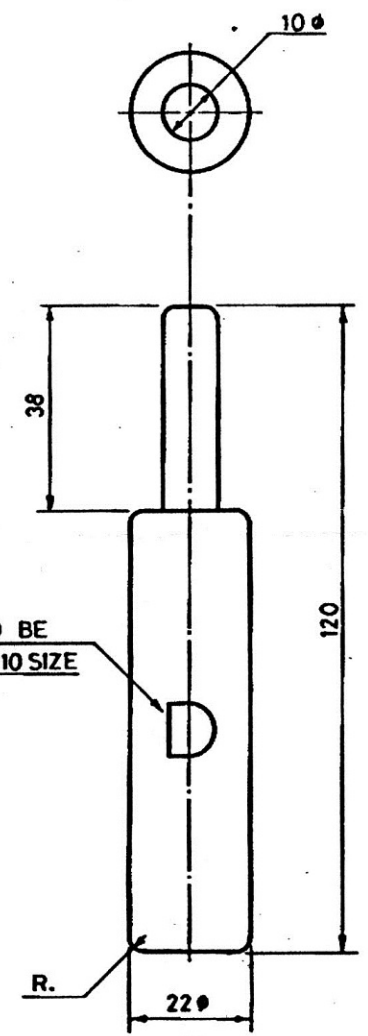


5x28 LONG  
 DOWEL PIN(WOODEN)

LETTER TO BE  
 MARKED IN 10 SIZE

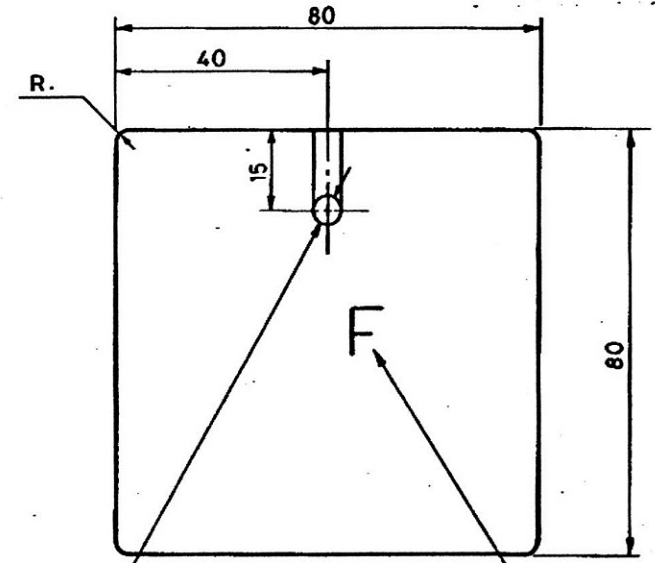


①



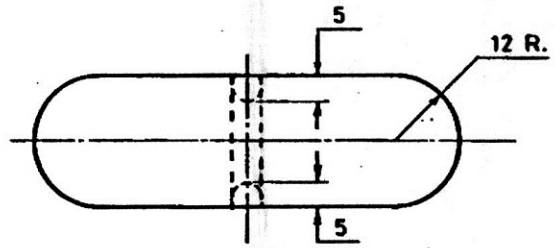
LETTER TO BE  
 MARKED IN 10 SIZE

②



5 TO ACCOMODATE  
 A STOUT CORD LOOP

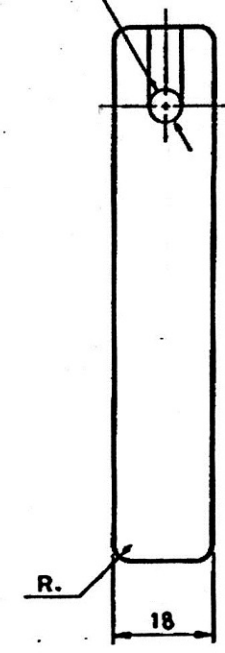
LETTER TO BE  
 MARKED IN 10 SIZE



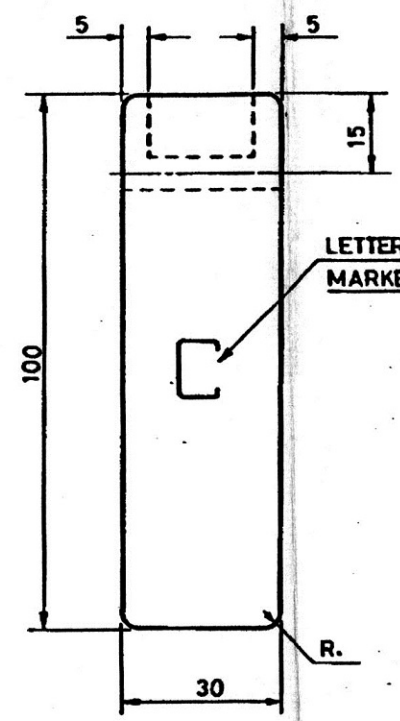
DETAILS OF WOODEN PATTERN BLOCKS ARE  
 FOR USE WITH SIMILARLY LETTERED POCKETS

③

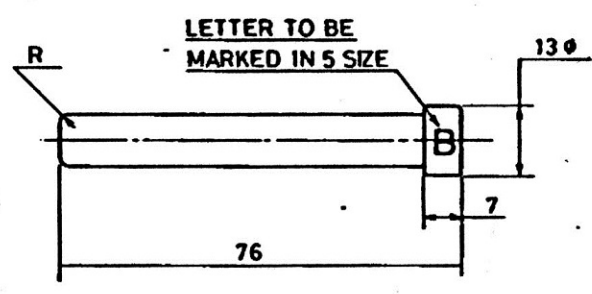
5 TO ACCOMODATE  
 A STOUT CORD LOOP



⑤



LETTER TO BE  
 MARKED IN 10 SIZE



LETTER TO BE  
 MARKED IN 5 SIZE

④

CERTIFIED COPY OF THE  
 STORE DRG/GAUGE DRG/Sch/  
 SPECN/NOTE SHT.  
 DATE: 26/6/08  
 CD

5-9-05		26093-SA	PROFORMA CHANGED, NEG.RE-TRACED AND DRG. RESEALED.					DRN.	CHD.	TRD.	COMP.	AHSP CQA(SA) ICHAPUR
			PREVIOUS D.C. NO. 22712-SA					SCALE :- 1:1 & 1:2			EST. MASS	ASSY.
								DT. 5-9-2005		APPROVED	DT. 30-11-72	
										NEG. RE - TRACED		
DATE AUTHY.		BRIEF RECORD		ZONE	I/C:D.O.	G.O.		MATERIAL :- ANY SUITABLE HARD WOOD				DGMR'S ARDE 1161 REF 4 SHEETS, SHT. 4
SEALED:-					SIGN.		H.T/HARDNESS				PART NO.	
NOMENCLATURE :-		WALLET SA SPARE PARTS AND TOOLS NO. 2 MK-1				PROTECTIVE FINISH				DRG. NO.		
										D.S. CAT. 1005-00765 4 SHEETS, SHT. 4		