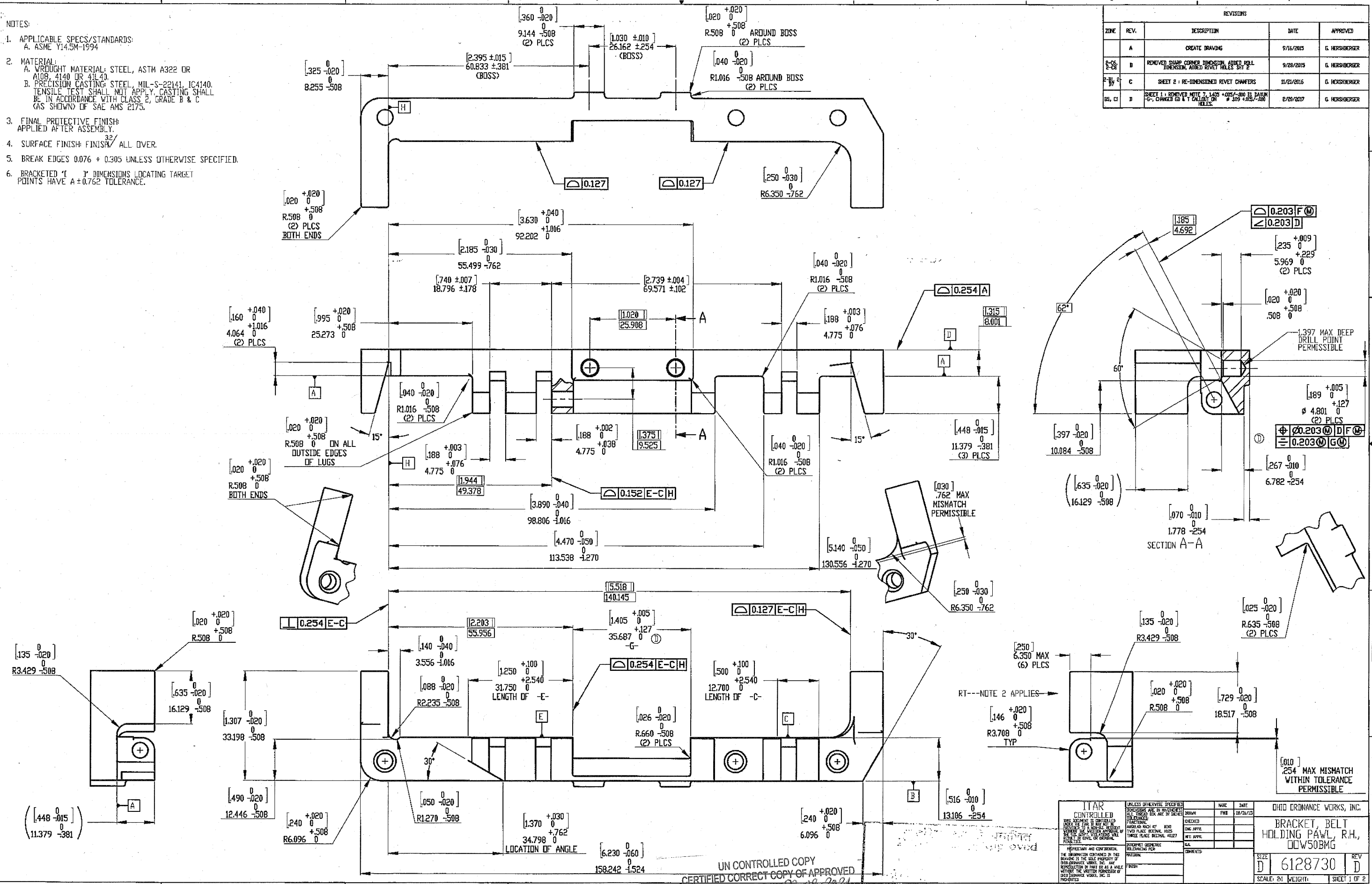


NOTES:

1. APPLICABLE SPECS/STANDARDS:
A. ASME Y14.5M-1994
2. MATERIAL:
A. WROUGHT MATERIAL: STEEL, ASTM A322 OR A108, 4140 OR 4140.
B. PRECISION CASTING STEEL, MIL-S-22141, IC4140. TENSILE TEST SHALL NOT APPLY, CASTING SHALL BE IN ACCORDANCE WITH CLASS 2, GRADE B & C (AS SHOWN) OF SAE AMS 2175.
3. FINAL PROTECTIVE FINISH APPLIED AFTER ASSEMBLY.
4. SURFACE FINISH: FINISH/ ALL OVER.
5. BREAK EDGES 0.076 + 0.305 UNLESS OTHERWISE SPECIFIED.
6. BRACKETED 'I' DIMENSIONS LOCATING TARGET POINTS HAVE A ±0.762 TOLERANCE.

REVISIONS				
ZONE	REV.	DESCRIPTION	DATE	APPROVED
	A	CREATE DRAWING	9/16/2015	G. HERSBERGER
B-C	B	REMOVED SHARP CORNER DIMENSION, ADDED ROLL DIMENSION, ADDED RIVET HOLES SIZE E	9/28/2015	G. HERSBERGER
B-C	C	SHEET 2: RE-DIMENSIONED RIVET CHAMFERS	11/21/2015	G. HERSBERGER
DS, CI	D	SHEET 1: REMOVED NOTE 7, 1405 +0.076-0.00 IS DATA 1-7, CHANGED TO 8.7 CALLOUT ON # 309 +0.076-0.00 HOLES.	2/20/2017	G. HERSBERGER



UN CONTROLLED COPY
CERTIFIED CORRECT COPY OF APPROVED
DRAWINGS AT THIS DATE 23.09.2021

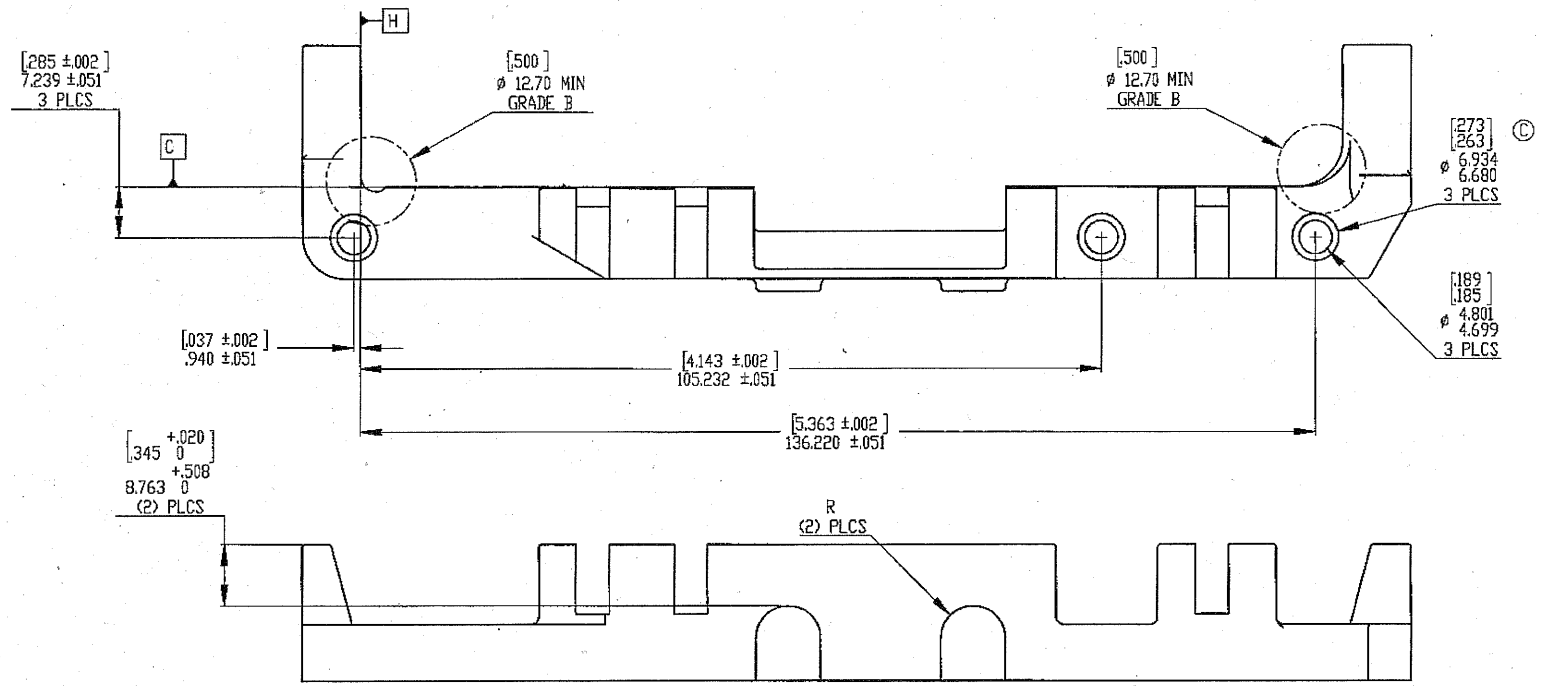
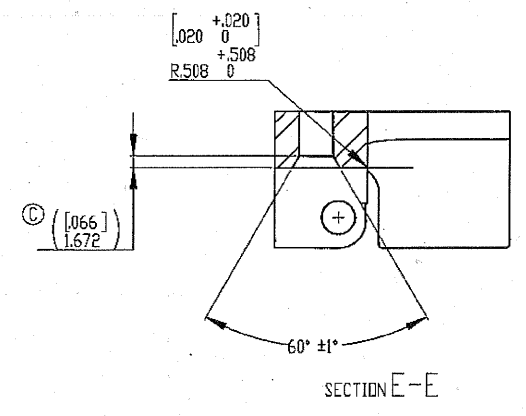
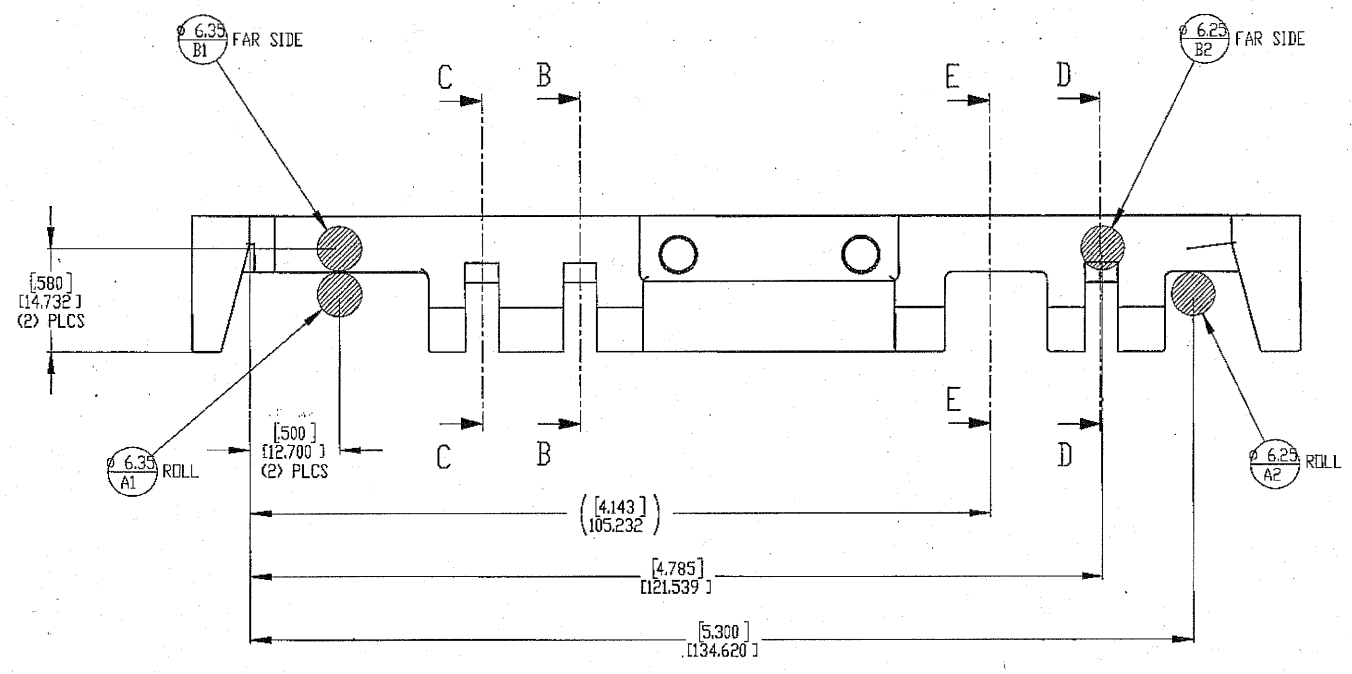
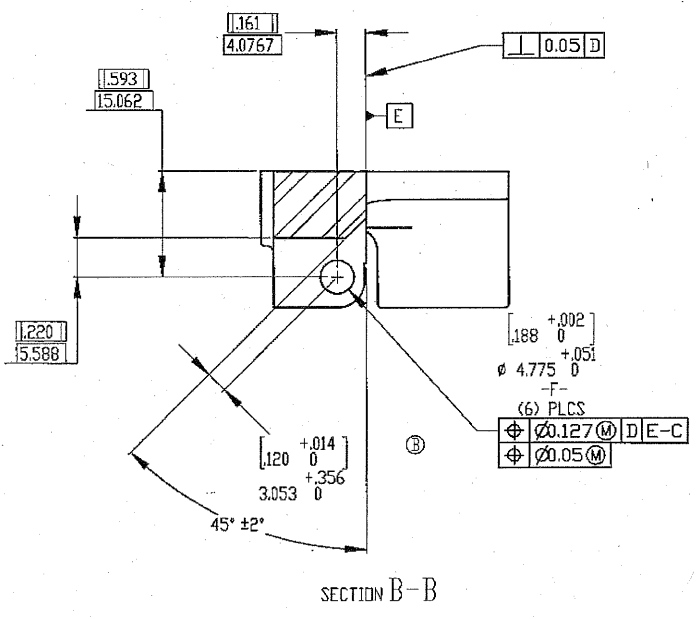
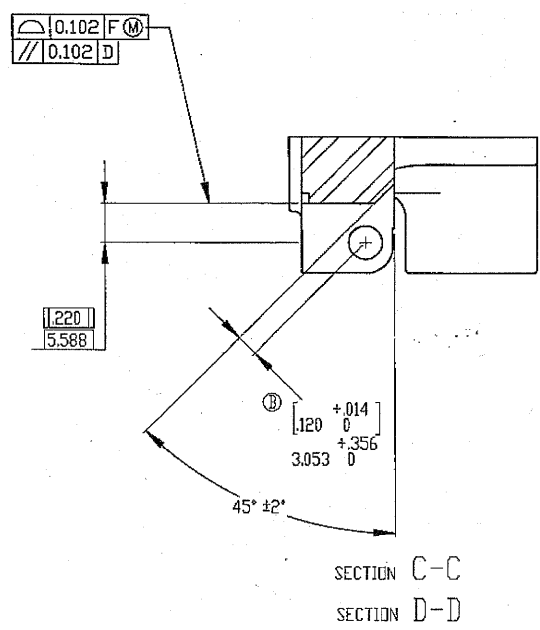
DESIGN & DRAWING OFFICE
ORDNANCE FACTORY, TIRUCHIRAPPALI - 620 016

21 AUG 2021
For Cndr (API)

ITAR CONTROLLED		UNLESS OTHERWISE SPECIFIED		DATE		DRAWN		DATE		CHECKED		DATE		DATE		DATE	
1	2	3	4	5	6	7	8	9	10	11	12	13	14	15	16	17	18

ORDNANCE WORKS, INC.
BRACKET, BELT HOLDING PAWL, R.H., DCW508MG
SCALE: 2:1 WEIGHT: SHEET 1 OF 2

REVISIONS				
ZONE	REV.	DESCRIPTION	DATE	APPROVED
-	-	See Sheet	-	-



UN CONTROLLED COPY
 CERTIFIED CORRECT COPY OF APPROVED
 DRAWINGS AT THIS DATE. 29-09-2021
 DESIGN & DRAWING OFFICE
 ORDNANCE FACTORY, TIRUCHIRAPPALI - 620 016

APPROVED
 10 AUG 2021
 For Grade (AP)

ITAR CONTROLLED		UNLESS OTHERWISE SPECIFIED DIMENSIONS ARE IN BRACKETS ALL DIMENSIONS ARE IN MILLIMETERS		DHD ORDNANCE WORKS, INC.	
DATE	REV.	DRAWN	CHKD	DATE	REV.
				08/20/15	
CHECKED	DATE APPR.	DATE APPR.	DATE APPR.		
THE INFORMATION CONTAINED IN THIS DRAWING IS THE SOLE PROPERTY OF DHD ORDNANCE WORKS, INC. ANY REPRODUCTION IN PART OR AS A WHOLE WITHOUT THE WRITTEN PERMISSION OF DHD ORDNANCE WORKS, INC. IS PROHIBITED.		UNLESS OTHERWISE SPECIFIED DIMENSIONS ARE IN BRACKETS ALL DIMENSIONS ARE IN MILLIMETERS		DHD ORDNANCE WORKS, INC.	
PART NAME: BRACKET, BELT HOLDING PAWL, R.H., DOW50BMG		PART NUMBER: 6128730		REV: D	
SCALE: 2x		WEIGHT:		SHEET 2 OF 2	

6128730