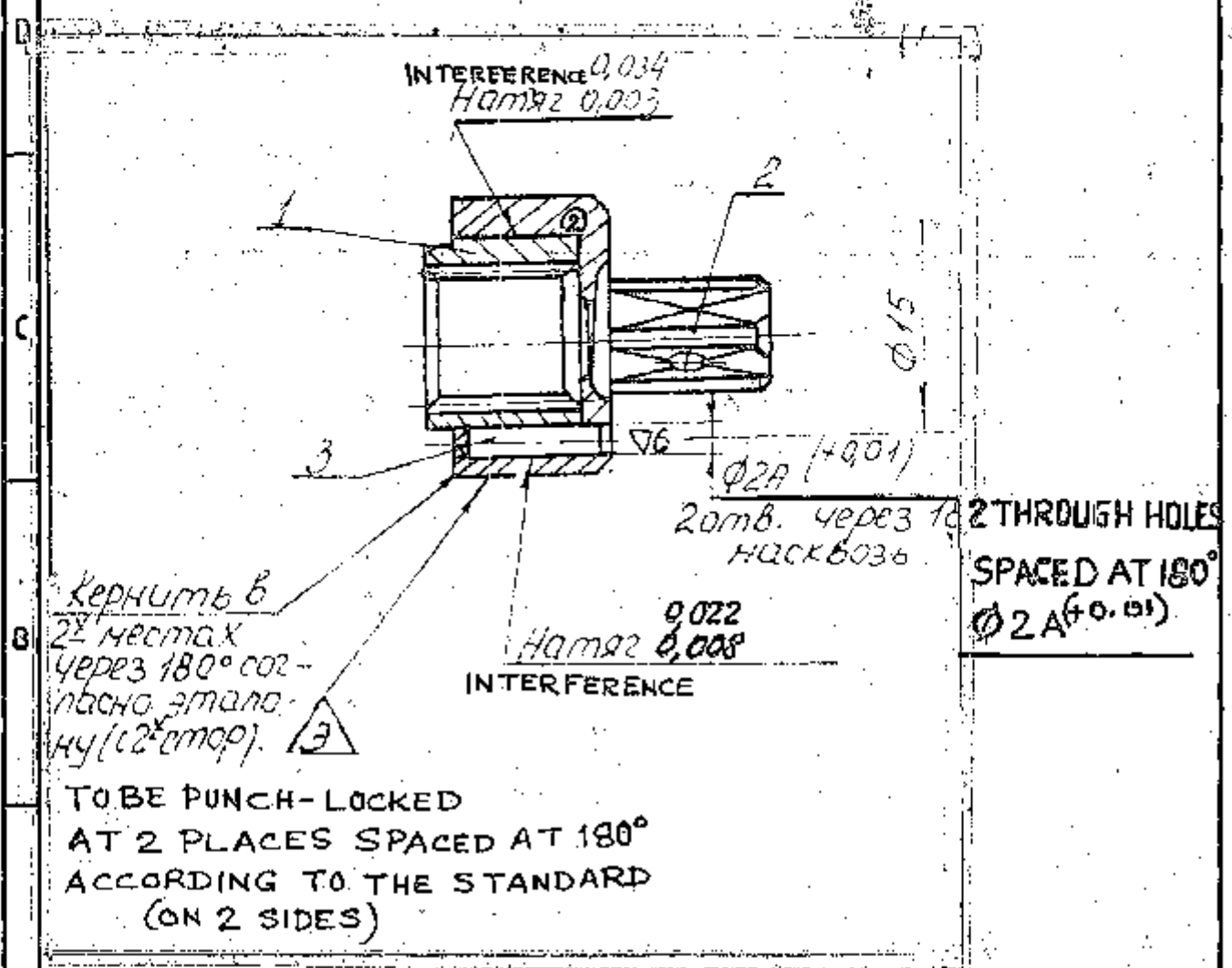


DRAWING NUMBER
92 1106 220



F-12-a

PILOT SAMPLE SHOULD BE APPROVED BY A H S P BEFORE BULK PRODUCTION

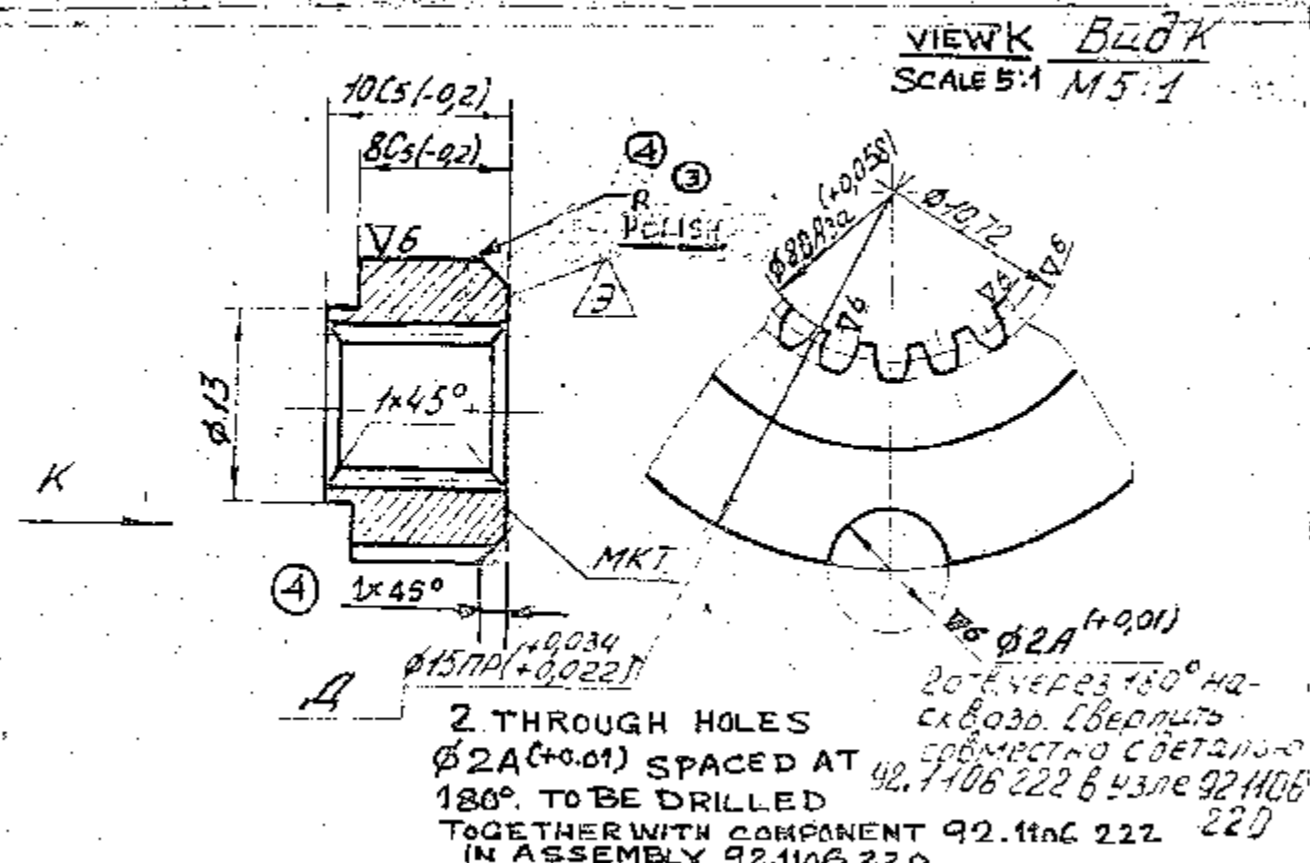
		EST WT 50 g	TO BE STAMPED OR MARKED WHERE INDICATED THUS # (LETTERS)
		ALL SHARP EDGES AND CORNERS TO BE REMOVED UNLESS OTHERWISE STATED MACHINED CORNERS TO HAVE R OUT- SIDE R INSIDE EQUIVALENT CHAMFERS ARE PERMISSIBLE.	
		MATERIAL	USED ON 92 1106 010 CB
2	1-7-93	AUTHY. NOTN. NO. HTP 46-128-88	
ISSUE	DATE	NATURE OF AMENDMENTS	
DRN		SCALE	CONTROLLERATE OF INSPECTION (HEAVY VEHICLES) AVADI
CHKD		DIMENSIONS IN mm	
TED		TOLERANCE ON DIMNS UNLESS OTHERWISE STATED	TITLE SUB ASSEMBLY SPLINED COUPLING
APPD		ALL THREADS CONFORM TO	D S CAT NUMBER
DATE			DRAWING NUMBER 92 1106 220
SIZE	A4		



DRAWING NUMBER
92 1106 221

TOLERANCE FOR FREE DIMENSIONS AS PER 22 AT 52

▽4



2 THROUGH HOLES
Ø2A(+0.01) SPACED AT
180°. TO BE DRILLED
TOGETHER WITH COMPONENT 92.1106 222 220
IN ASSEMBLY 92.1106 220

TABLE OF PARAMETERS OF INVOLUTE PROFILE SPLINES		
MODULE	m	0.8
NUMBER OF TEETH	Z	12
PRESSURE ANGLE OF BASIC RACK	α	30°
REFERENCE DIAMETER	d _d	9.6
WIDTH OF TOOTH SPACE ALONG THE REFERENCE CIRCLE ARC	S	1.255 ^{-0.12} _{+0.06}
RUNOUT OF SPLINES PROFILE RELATIVE TO ØA		0.05

Термообработка -
HRC 25-32
2. Окислять.

1. TO BE HEAT TREATED HRC 26-32 INSPECTION GROUP 4 OST 100021-72 78. ②
2. TO BE OXIDISED.

PILOT SAMPLE SHOULD BE APPROVED BY A H S P BEFORE BULK PRODUCTION.

EST. MASS 20 g TO BE STAMPED OR MARKED WHERE INDICATED THUS # LETTERS)
ALL SHARP EDGES AND CORNERS TO BE REMOVED UNLESS OTHERWISE STATED MACHINED CORNERS TO HAVE R OUTSIDE R INSIDE EQUIVALENT CHAMFERS ARE PERMISSIBLE.

CRN		MATERIAL:- STEEL	USED ON:-
END		30 X A TY 16-1-950-74	92 1106 220
TD			
APPD.			
DATE			
SCALE:-	2:1		
DIMENSIONS IN	mm.		
TOLERANCE ON DIMS	UNLESS OTHERWISE STATED.		
ALL THREADS	CONFORM TO		
ISSUE	DATE	NATURE OF AMENDMENTS	
4	1-6-93	AUTHY. NOTN. NO. HTP 46-024-88	
3	1-6-93	AUTHY. NOTN. NO. HTP 46-123-88	
2	31-5-93	AUTHY. NOTN. NO. HTP 46-84-87	
		D S CAT NUMBER	DRAWING NUMBER
			92 1106 221

CONTROLLERATE OF INSPECTION (HEAVY VEHICLES) AVADI

TITLE:- BUSH SPLINED





