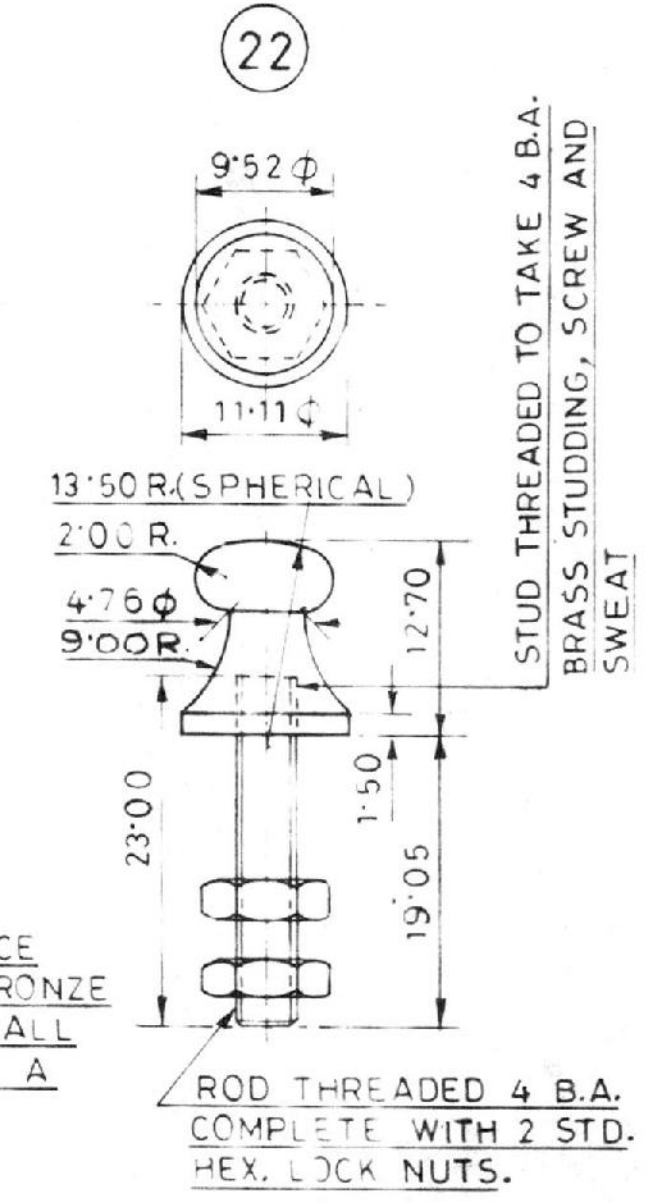
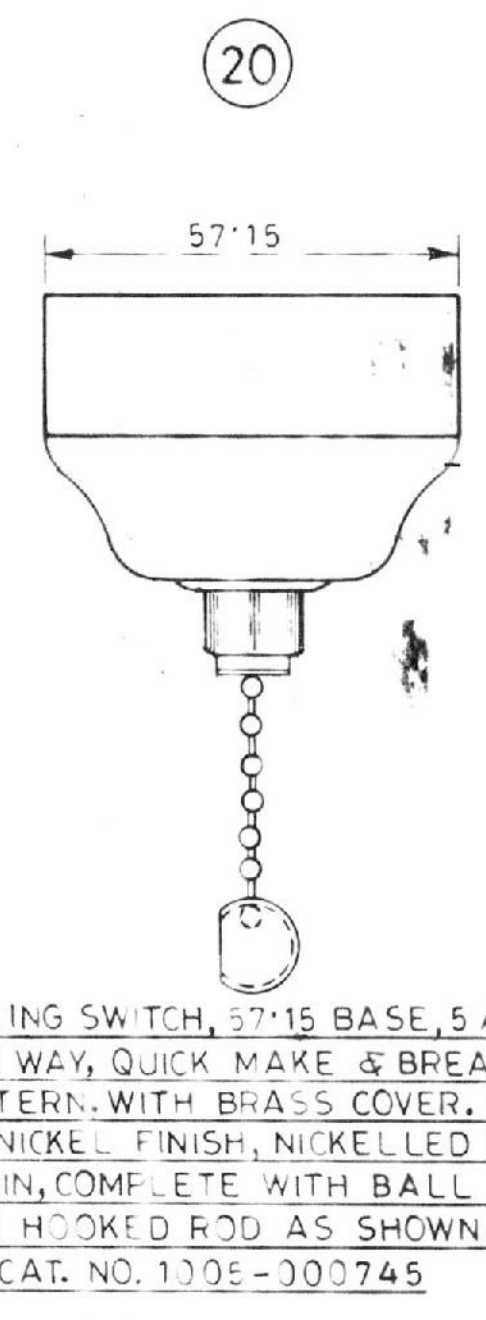
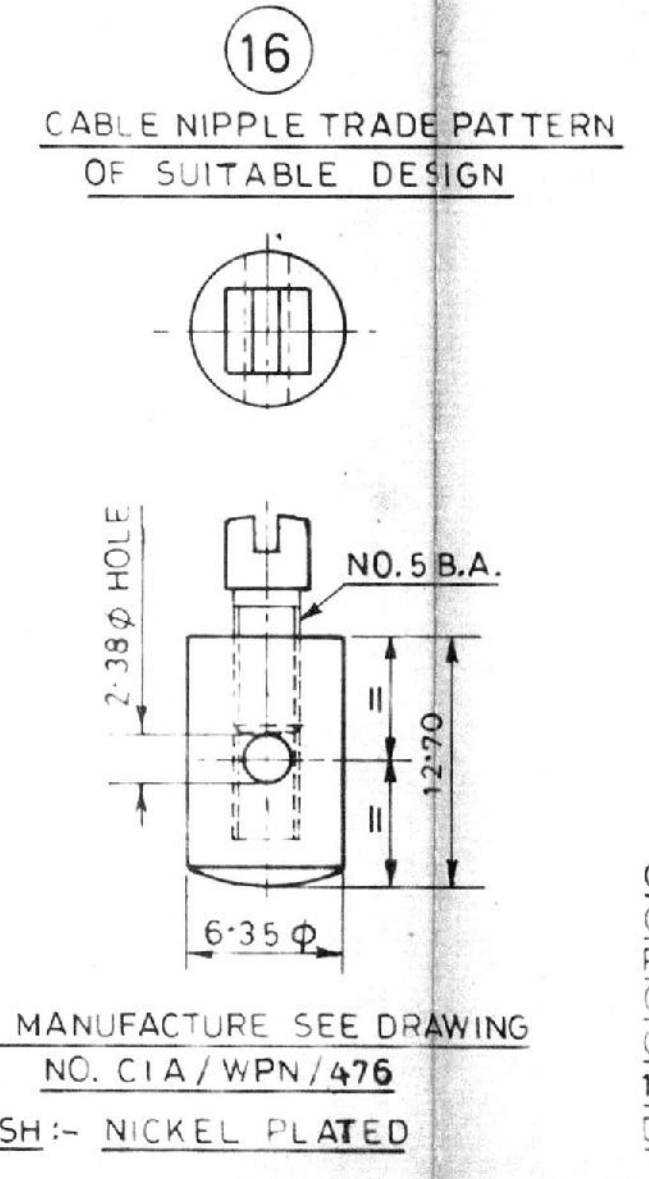
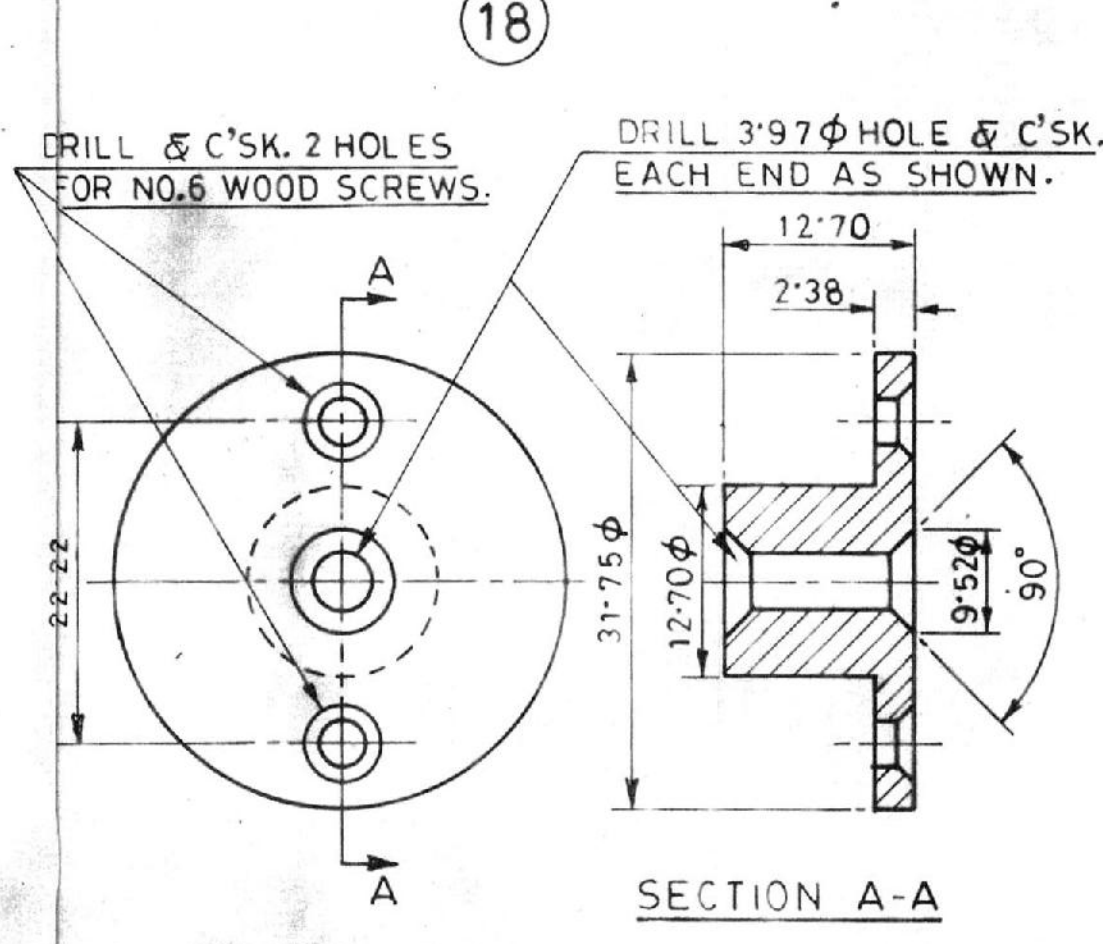
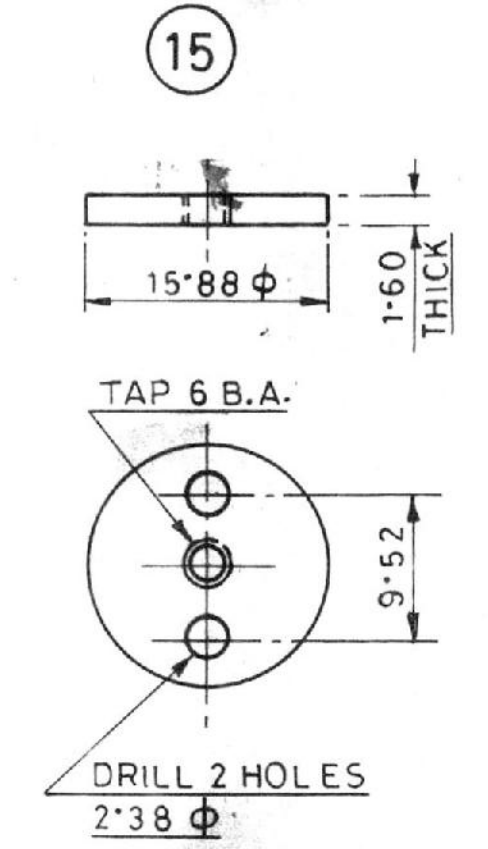
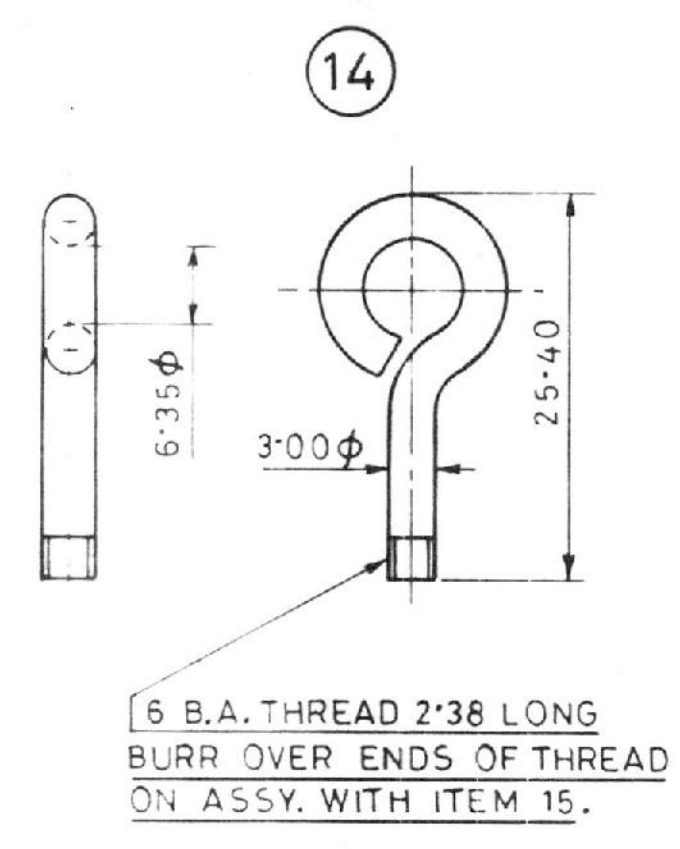
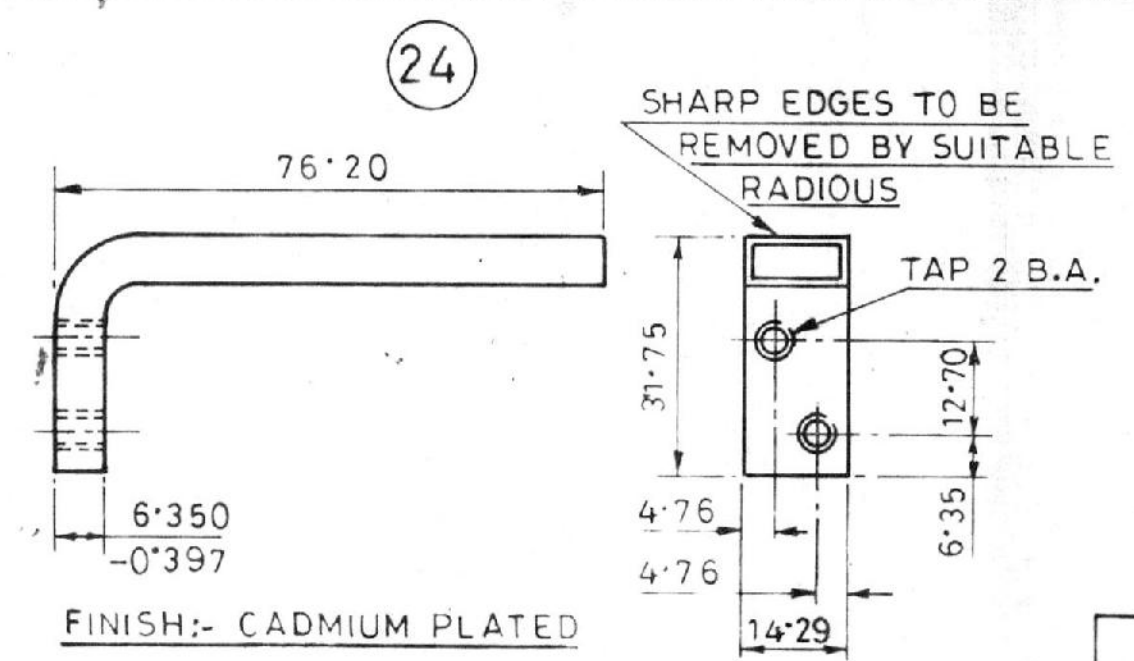
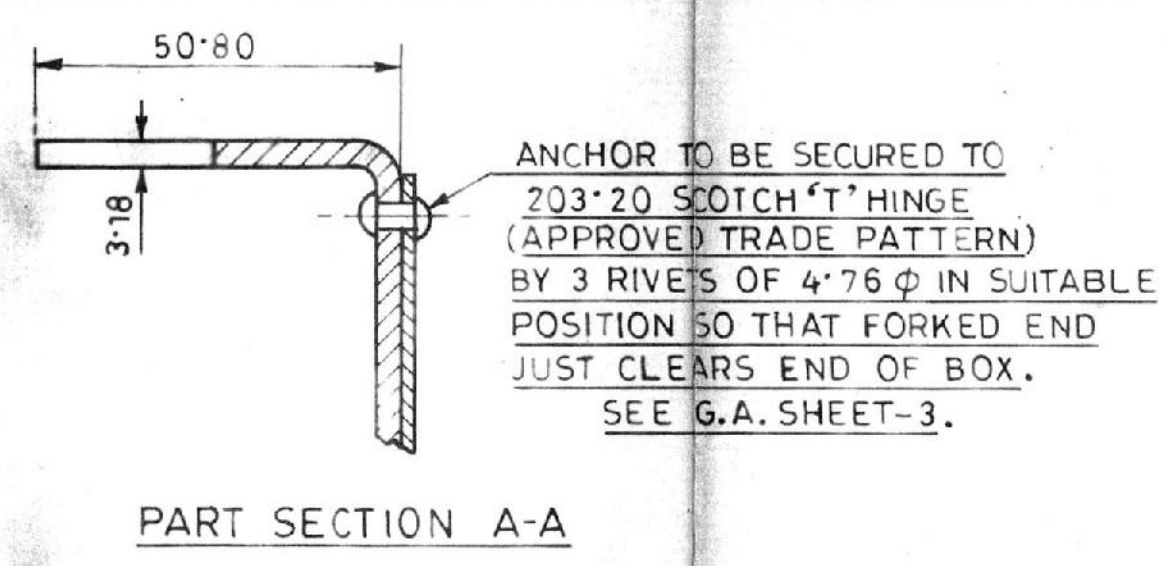
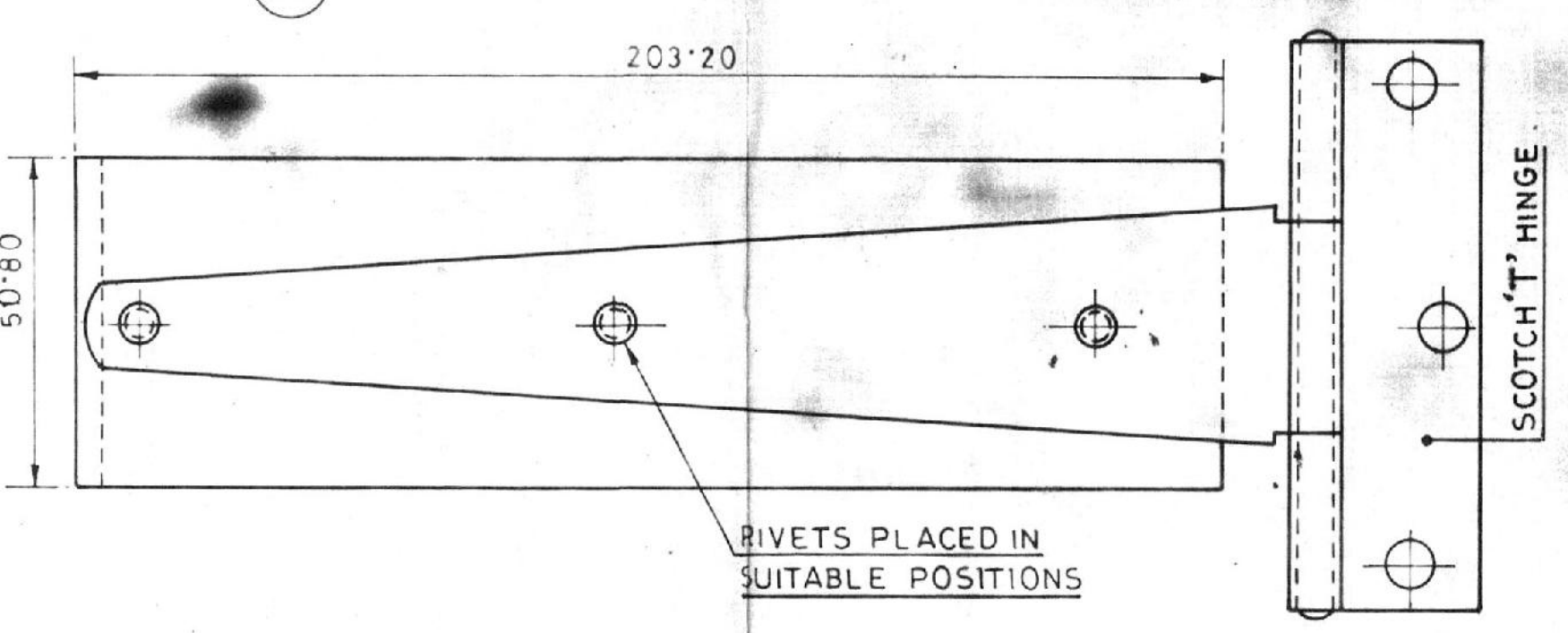
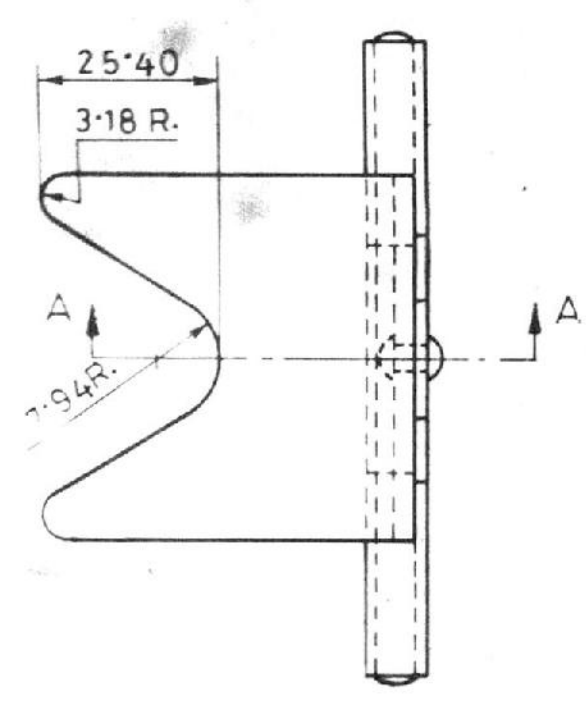


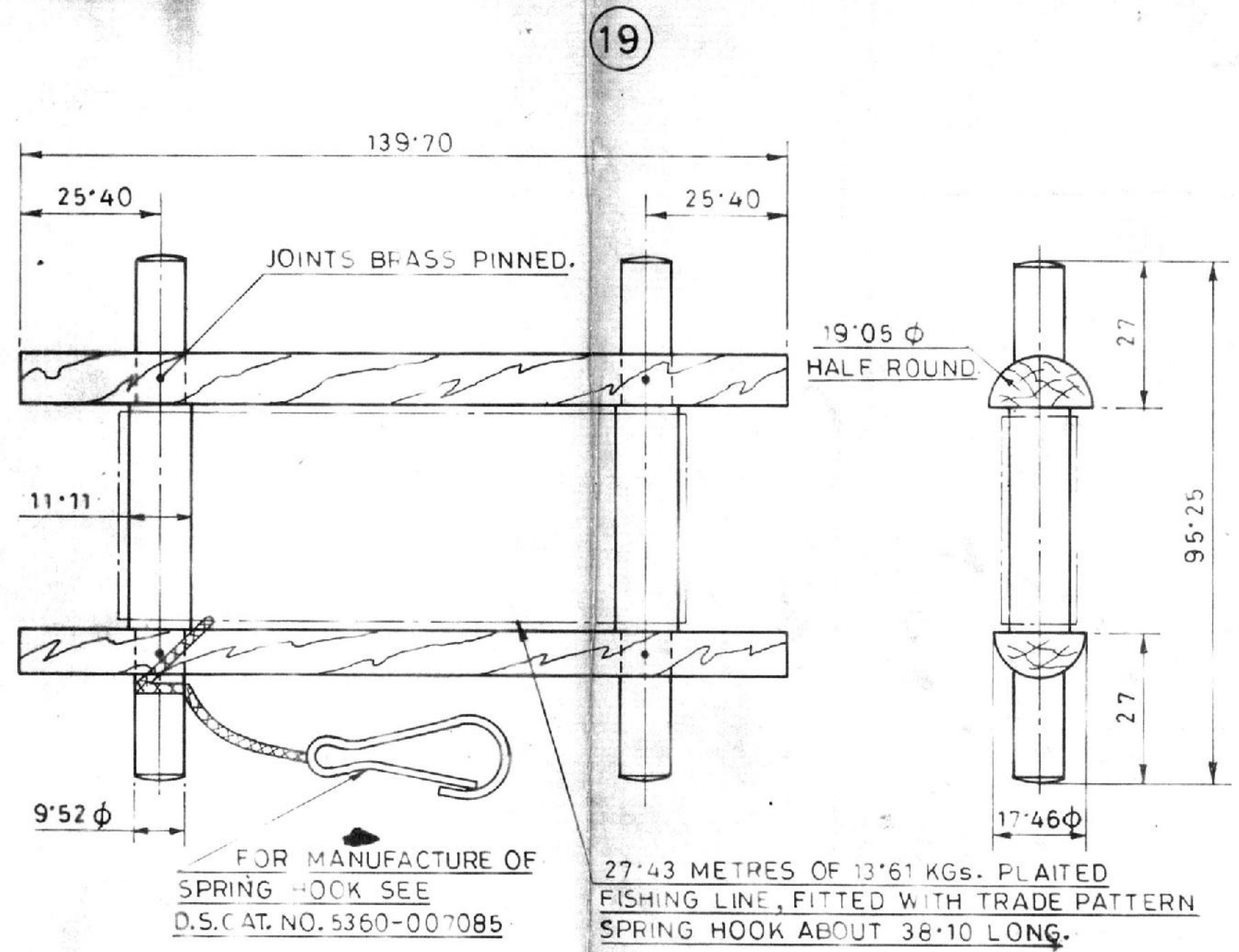
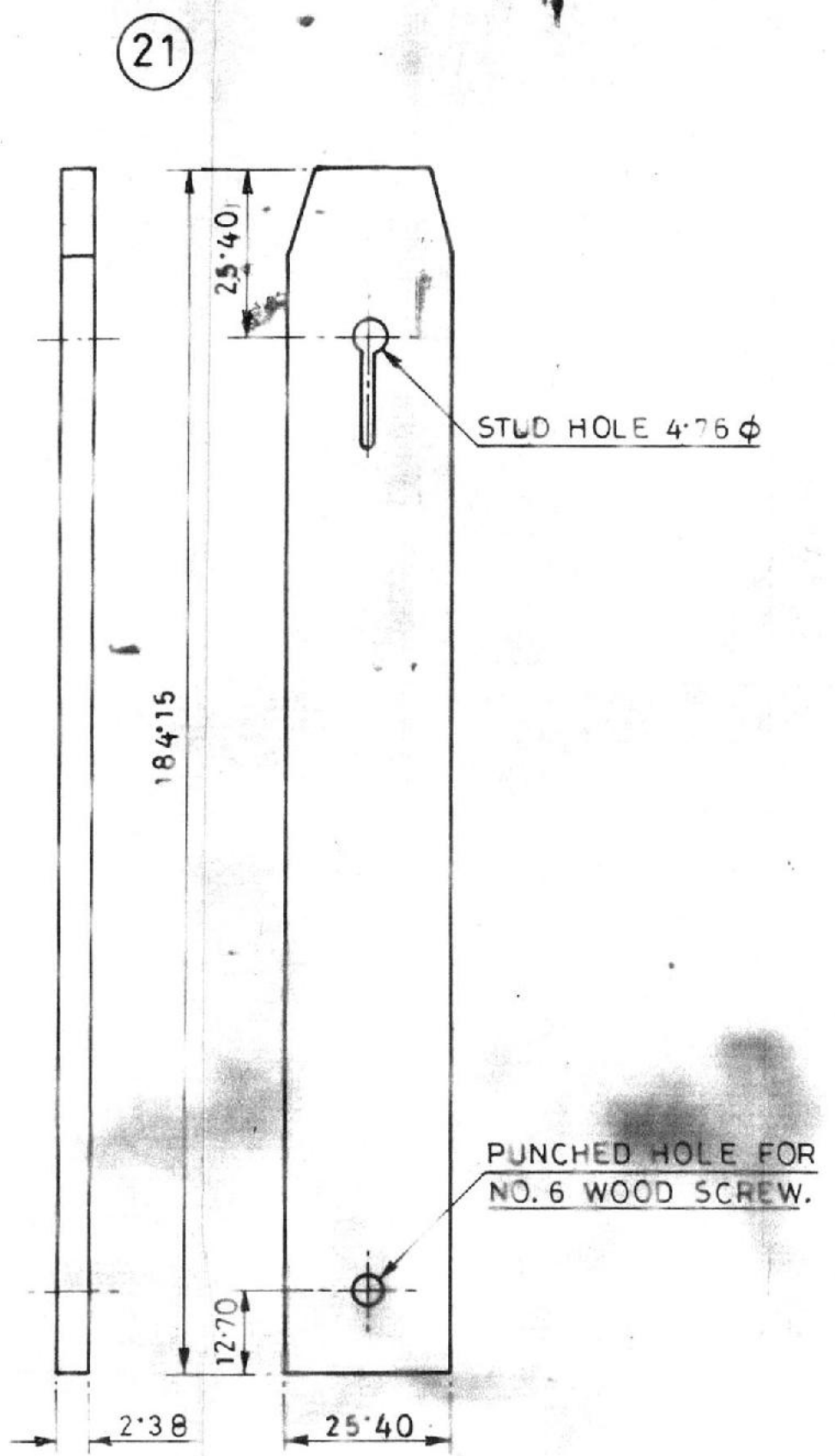
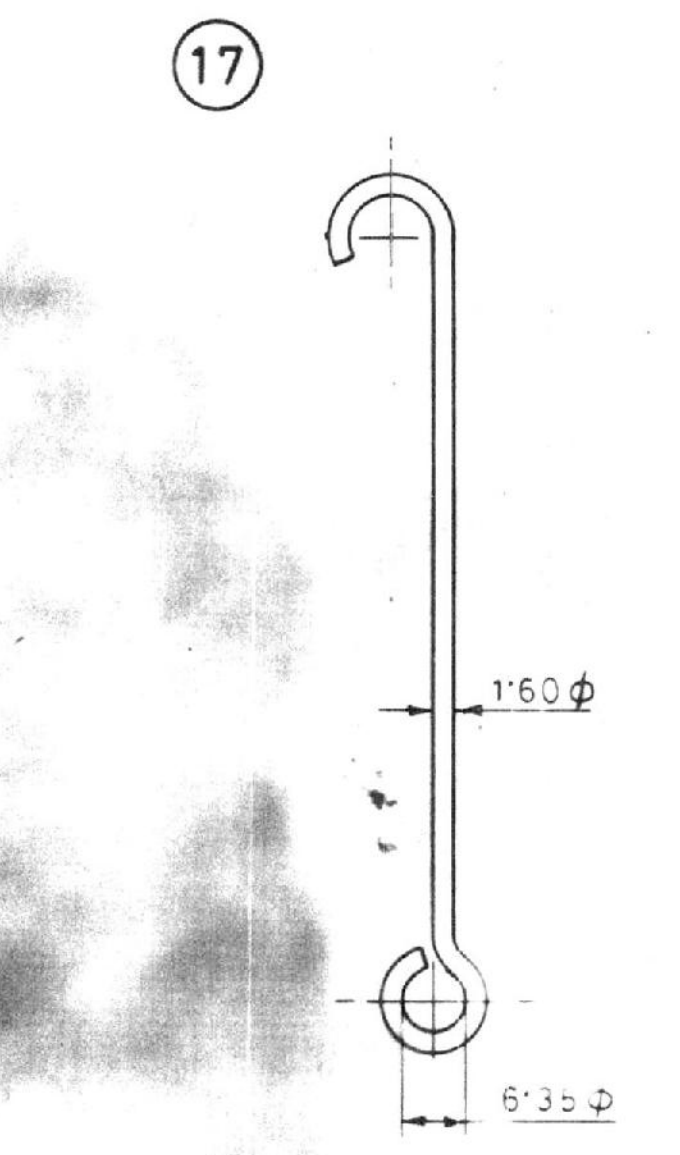
WHERE TOLERANCES ARE NOT SHOWN, DIMENSIONS IN WHOLE NUMBER OR WITH ONE DECIMAL PLACE  $\pm 1.3$  mm.  
DIMENSIONS WITH TWO DECIMAL PLACES  $\pm 0.4$  mm.  
DIMENSIONS WITH THREE DECIMAL PLACES  $\pm 0.13$  mm.  
TOLERANCE ON HOLES  $\pm 0.13$  mm. EXCEPT WHERE OTHERWISE STATED.  
SHARP CORNERS TO BE REMOVED.

SCHEDULE OF PARTS

ITEM NO.	DESCRIPTION	NO. OFF.	D.S. CAT. NO.	MATERIAL
14	EYE	1		IS:280 1 2 HARD DR. BS 1052 HARD DRAWN.
15	NUT	1		BS 2870 CZ 108 HARD
16	STOP	1		BS 2874 CZ 121
17	ROD SWITCH	1	5340-015513	BS 1408 B RANGE 1
18	BUSH	1		BS 2874 CZ 121
19	LINE WINDER & LINE	1	1005-000751	HARDWOOD
20	SWITCH	1	1005-000750	APPD. TRADE PATTERN
21	ANCHOR STRAP	1	1005-000747	BUFFALO CURRIED OR COW CURRIED.
22	STUD	1	1005-000749	FOR B.C.D. STEEL BS 970 EN 3B FOR LOCK NUTS-STEEL BS 970 EN 3B
23	ANCHOR (TRADE PATTERN)	1	2040-000519	M.S.
24	LAMP BRACKET	1	1005-000725	STEEL BS 970 EN 3B



FINISH:- PLATED



TO BE USED WITH POST, AIMING, MG. MK.1 OR MK.3 FOR NIGHT FIRING OF MGS, POST AIMING B.C. 3-IN. AND 4.2-IN. MORTARS MK.1 FOR NIGHT FIRING OF M.L. 3-IN. AND S.B. 4.2-IN. MORTARS AND POST AIMING, B.C. MK.1, IN CONJUNCTION WITH BRACKET, LAMP AIMING POST, MK.1 FOR NIGHT FIRING OF MORTARS, 120 mm, AM 50 MORTARS, 120 mm. BRANDT MLE 1950 A, MORTAR, 120 mm, TEMPELLA TYPE A; MORTAR, 81 mm. M1 ON MOUNT M 4

METRIC.

16-12-96	23618-SA	PROFORMA CHANGED, CONVENTION NOTE ADDED, NEG. RE-TRACED & DRG. RE-SEALED. PREVIOUS D.C. NOS. 10954-SA, 11349-SA, 11531-SA, 14517-SA, 14834-SA, 18855-SA, 23321-SA & 23441-SA.	DATE AUTHY. BRIEF RECORD.	ZONE I/C; D.O. G.O.	DRN. CHD. TRD. EST. MASS APPROVED. DT. 29.7.71. NEG. RE-TRACED.	AHSP. CQA(SA), ICHAPUR ASSY.
SEALD:- D.C.10954-SA, DT. 30.7.71.					MATERIAL:- AS STATED.	DGNR'S REF. TRES/M/5075/11/2
NOMENCLATURE LAMPS, AIMING, MG., MK. 3					HT./HARDNESS.	PART NO.
PROTECTIVE FINISH.					DRG. NO.	D.S. CAT. 1005-000720 NO. 3 SHTS.; SH. NO. 2