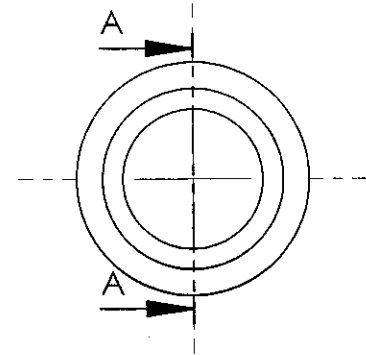
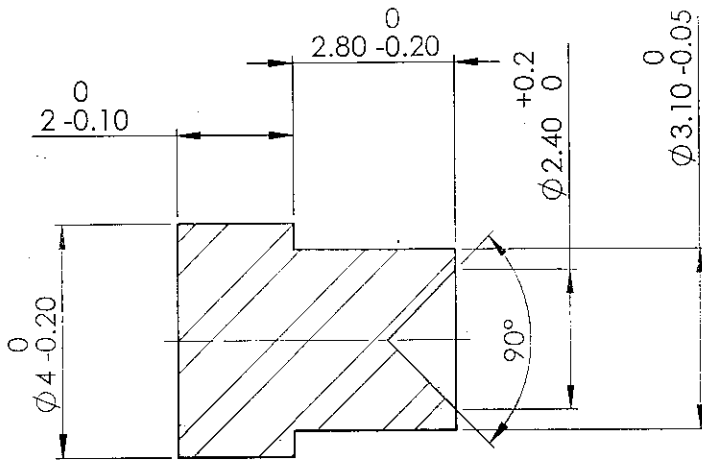
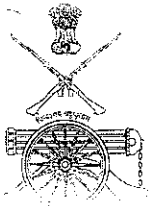


DRG NO.

DIMENSIONS ARE IN mm.

UNTOLERATED DIMNS. AS PER IS : 2102 (MED)

MARK DRAWING No.



SECTION A-A

UN CONTROLLED COPY

CERTIFIED CORRECT COPY
OF APPROVED DRAWING
AT THIS DATE 30/4/18

ABH
Design & Development
Checked by
Trichy

Material :

BS:970 Pt.1 1983 Sec.3 Gr.070 M20 (or) EN3A,3C

Alt. Matl.

BS:970 Pt.1 1983 Sec.3 Gr.080 M40 (or) EN8, 8A,8B, 8C,8D

Hardness: 170 - 250 HV

Protective Finish :

Phosphating to Specn.

JSS: 0465-01-1994 Class II Oil Finish

AMENDMENTS	SIG. & DATE		SIGNATURE & DATE	SUB: Selector Stop	SCALE NTS
		TRACED		FOR: Receiver Assy	Weight (g) 0.35
		DRAWN		OF: TRICHY ASSAULT RIFLE	
		CHECKED		DES. REF. NO. K-1103	QPG 1
		OIC/D&DO	<i>P. Tosta</i>	DRG. No.: K-1103	
		OFFICER/ PRODN.		ORDNANCE FACTORY TIRUCHIRAPPALLI-16.	SHEETS: 1
DIV. OFFICER/ D&DO	<i>Ge. Rao</i>	SHEET No.: 1			
APPROVED ON: 30/04/2018					