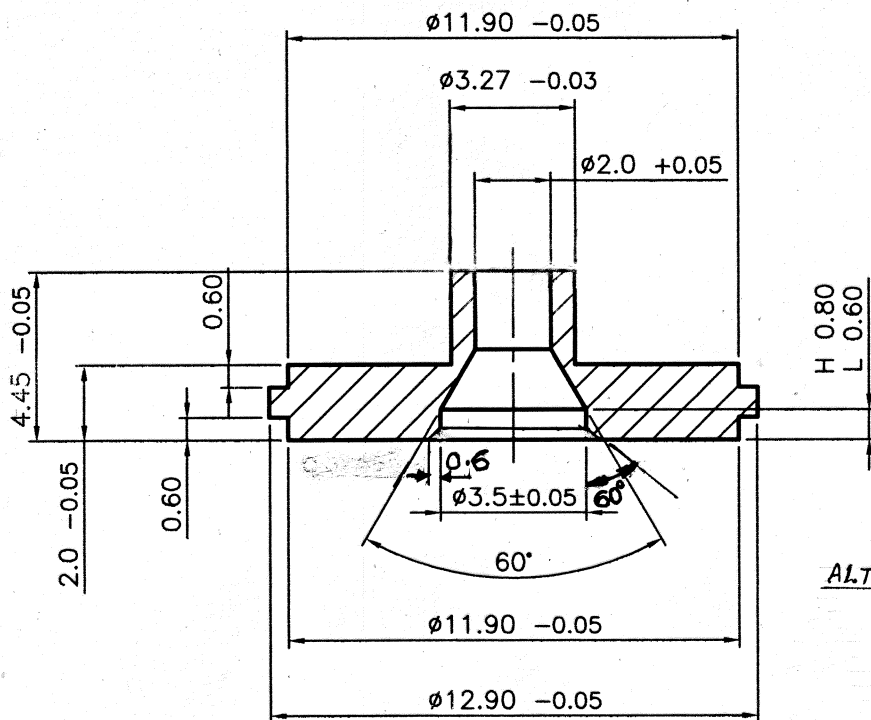


DRG. NO : FS-2470C

TOLERANCE ON UNTOLERATED DIMNS. ARE AS PER IS: 2102, MEDIUM CLASS

PROVISIONAL

A M E N D M E N T S			
REV.	DATE	DESCRIPTION	SIGN.
A 23/1/04	10.08.04	Alternate material added, Drawing marked provisional & 0.3x45° chamfer added.	<i>je</i> JGAM/R&D
B 21/6/06	17.05 06	ALT. MATERIAL, SURFACE TREATME NT & NOTE ADDED.	<i>je</i> AWM/R&D
C 183 2013	16.10.13	Chamfer 0.6x60° was 0.3x45°	<i>je</i> S.D.R/000



ALT. MATERIAL :- AL. ALLOY TO
SPECN. BS 1474:1987
GRADE 2014 'A' IN T4
(OR) T6 CONDITION.

NOTE :- DIMNS. APPLY AFTER PLATING.

SURFACE TREATMENT :-
CHROMATE CONVERSION COATING TO
IS: 11232 - 1985 CLASS - 3

MATERIAL: AL. ALLOY Grade AA 7075
IN T6 CONDITION (OR)

IS: 733 DESG 24345 IN
'W' OR 'WP' CONDITION.

BURRS/SHARP EDGES NOT PERMITTED.

1.6

DIMENSIONS ARE IN mm			MATERIAL : AS ABOVE		ORDNANCE FACTORY AMBAJHARI
THIRD ANGLE PROJECTION			NOMENCLATURE :		
SCALE : 5 : 1			STRIKER GUIDE		DRG. NO :
2004	NAME	DATE			FS-2470C
DRAWN	<i>Prakash</i>	06-03-04			
REDRAWN					
CHECKED	<i>Barnial</i>	06-03-04			
JWM/CDD	<i>Barnial</i>	06-03-04	SHEET NO : 1		
APPVD.	JGM/R&D	<i>je</i>	06/3	NO. OF SHEETS : 1	
				OPERATION NO :	
				COMPT. : FUZE M842	