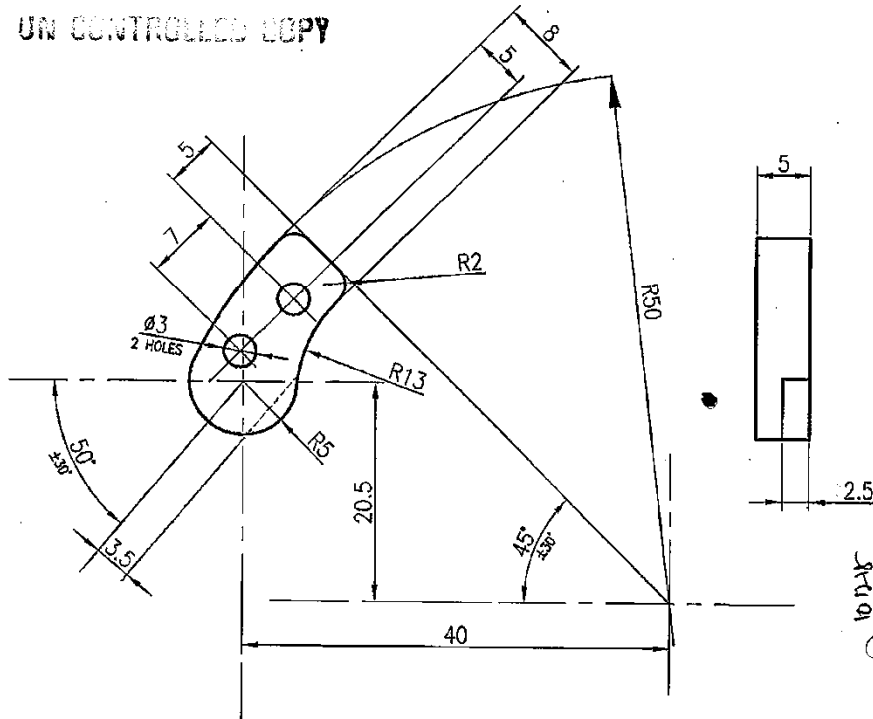



DIMENSIONS ARE IN mm.
 UNTOLERATED DIMNS. AS PER IS : 2102 (MED)
 PROTECTIVE FINISH :- PHOSPATED TO SPEC:
 JSS:0465-01-1988 CLASS-I (ACCELERATED) OIL FINISH.

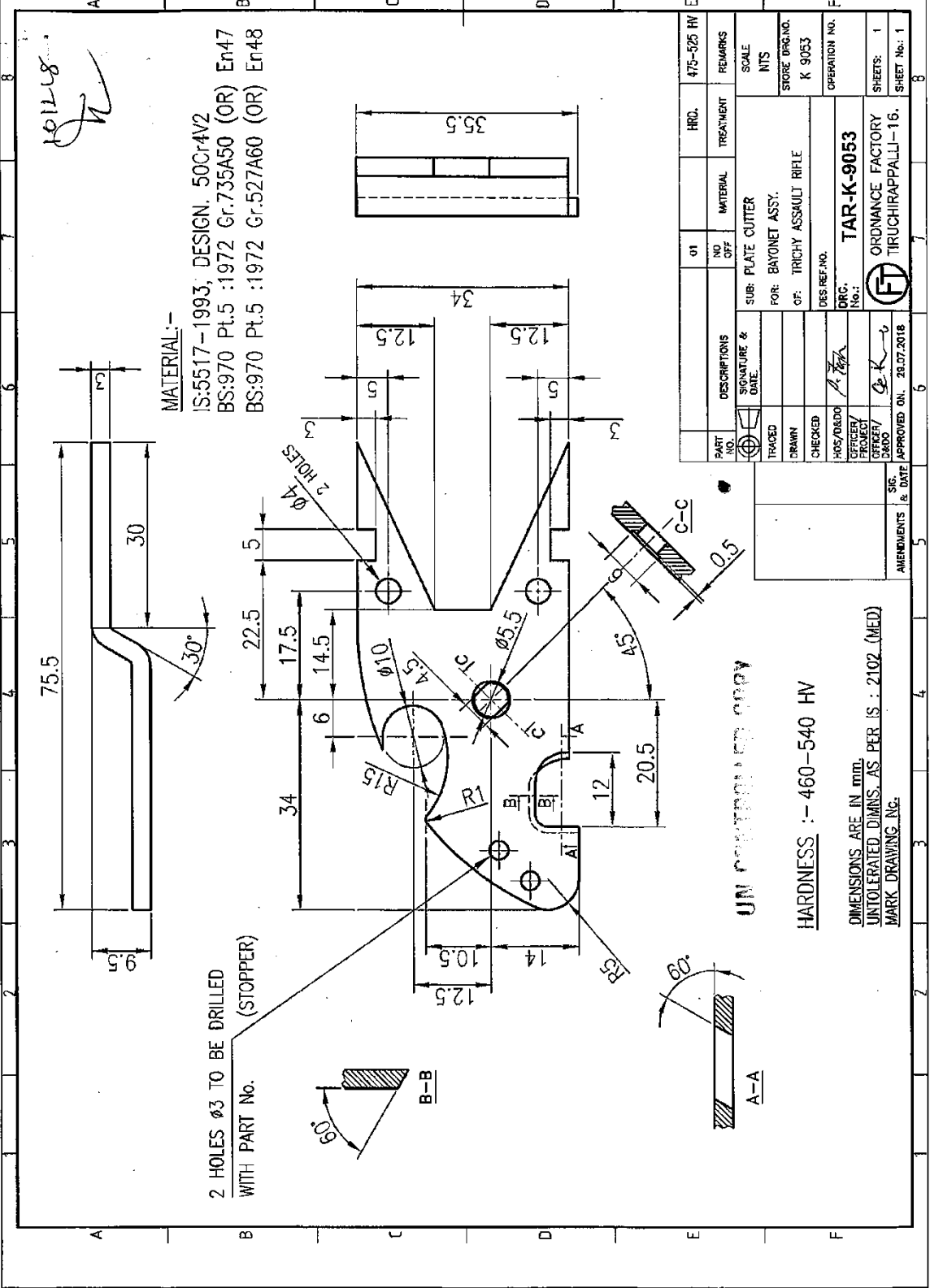
UN CONTROLLED COPY



HARDNESS :- 460-540 HV

MATERIAL:- IS : 1570 PT.2:1978 80 C6
 BS : BS 970 PT.5:1972 Gr.070 A72
 (OR) (En42,42B,42C,42D)

1		1		HRD	325-375 HV
PART NO.	DESCRIPTIONS	NO OFF	MATERIAL	TREATMENT	REMARKS
	SIGNATURE & DATE.	SUB: STOPPER			SCALE NTS
	TRACED	FOR: BAYONET ASSY.			STORE DRG.NO.
	DRAWN	OF: TRICHY ASSAULT RIFLE			K 9054
	CHECKED	DES.REF.NO.			OPERATION NO.
	HOS/D&DO <i>P. K. K.</i>	DRG. No.: TAR-K-9054			
	OFFICER/PRODN.	 ORDNANCE FACTORY TIRUCHIRAPPALLI-16.			SHEETS: 01
	OFFICER/D&DO <i>S. K.</i>				SHEET No.: 01
AMENDMENTS	SIG. & DATE	APPROVED ON.	.07.2018		



101118

MATERIAL:-

IS:5517-1993, DESIGN. 50CrV2
 BS:970 Pt.5 :1972 Gr.735A50 (OR) En47
 BS:970 Pt.5 :1972 Gr.527A60 (OR) En48

2 HOLES Ø3 TO BE DRILLED
 WITH PART No. (STOPPER)

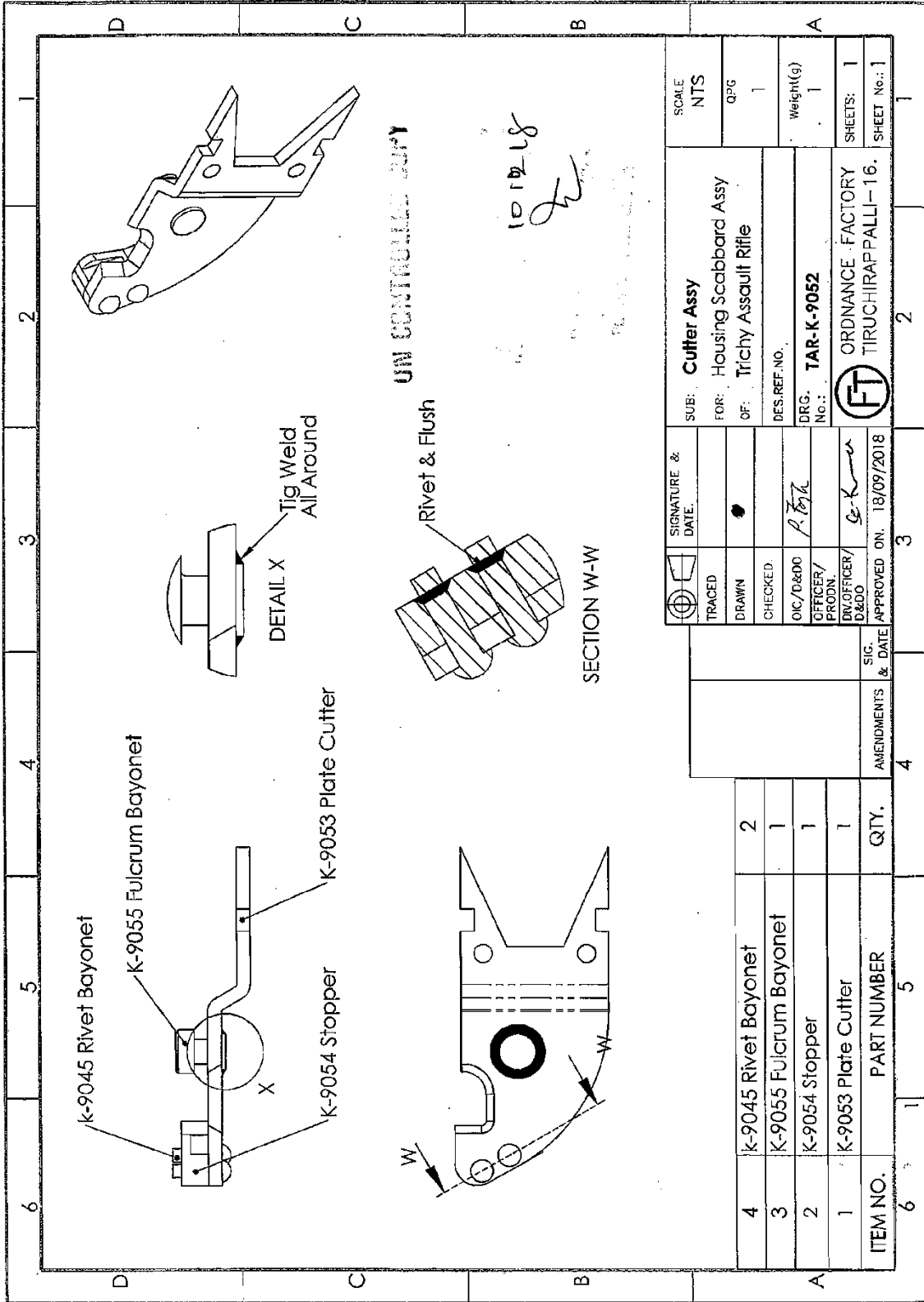
UN CONTROLLED COPY

HARDNESS :- 460-540 HV

DIMENSIONS ARE IN mm.
 UNTOLERATED DIMS. AS PER IS : 2102 (MED)
 MARK DRAWING-ING.

PART NO.	DESCRIPTIONS & DATE	NO. OF OFF	MATERIAL	TREATMENT	HRC.	REMARKS
		01				475-525 HV
TRACED	SUB: PLATE CUTTER					SCALE
DRAWN	FOR: BAYONET ASSY.					NTS
CHECKED	OF: TRICHY ASSAULT RIFLE					STORE ORG. NO.
DES. REF. NO.						K 9053
OPER. REF. NO.						OPERATION NO.
DRC. No.:	TAR-K-9053					
	ORDNANCE FACTORY					SHEETS: 1
	TIRUCHIRAPPALLI-16.					SHEET No.: 1

SIG. & DATE APPROVED ON: 28.07.2018



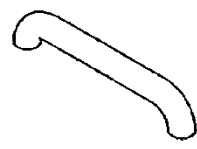
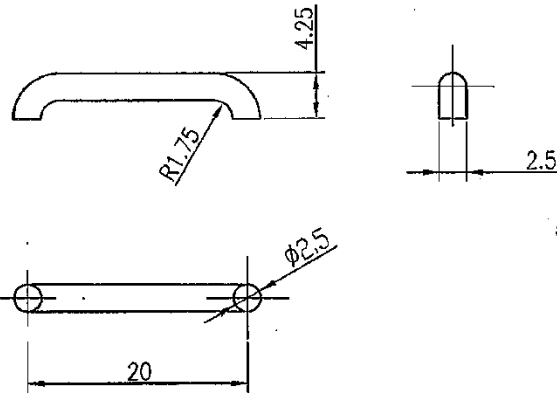
ITEM NO.		PART NUMBER		QTY.		AMENDMENTS & DATE		SIGNATURE & DATE		SUBJECT		SCALE	
4	k-9045 Rivet Bayonet				2						Cutter Assy	NTS	
3	K-9055 Fulcrum Bayonet				1						Housing Scabbard Assy	QPG	
2	K-9054 Stopper				1						Trichy Assault Rifle	Weight(g)	
1	K-9053 Plate Cutter				1						TAR-K-9052	SHEETS: 1	
ITEM NO.		PART NUMBER		QTY.		AMENDMENTS & DATE		SIGNATURE & DATE		SUBJECT		SCALE	
6					1						ORDNANCE FACTORY TIRUCHIRAPPALLI-16.	SHEET No.: 1	

TRACED	DRAWN	CHECKED	OIC/D&DO OFFICER/PRODN.	INV. OFFICER/D&DO	APPROVED ON.
					18/09/2018

DESIGN NO.	DRG. No.:	DESIGN NO.	DRG. No.:
TAR-K-9052			


DIMENSIONS ARE IN mm.
 UNTOLERATED DIMENSIONS AS PER IS:2102(MED)
 PROTECTIVE FINISH :- PHOSPATED TO SPEC:
 JSS:0465-01-1988 CLASS-I (ACCELERATED) OIL FINISH.

IN CONTROLLED COPY



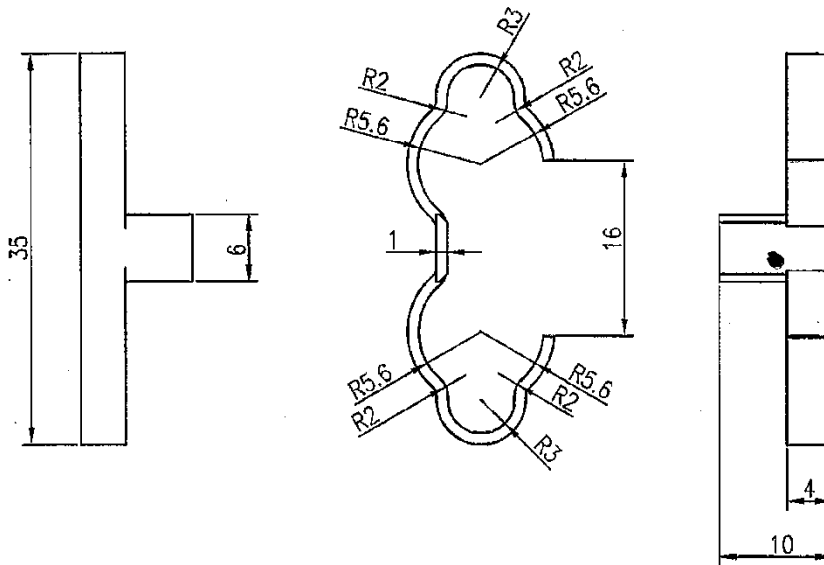
Handwritten notes:
 10-18
 D. M. S. S. S.
 C. S. S. S. S.
 T. S. S. S. S.

MATERIAL:-
 IS 4454 PT.1 2001 GR. DH
 BS 5216-1975 GR.5 CODE "M"

PART NO.	DESCRIPTIONS	NO OFF	MATERIAL	TREATMENT	REMARKS
		1			
⊕	SIGNATURE & DATE.	SUB: HOOK WIRE (SCABBARD)			SCALE NTS
TRACED		FOR: BAYONET ASSY.			STORE DRG.NO. K 9058
DRAWN		OF: TRICHY ASSAULT RIFLE			OPERATION NO.
CHECKED		DES. REF. NO.			
HOS/D&DO	<i>P. Singh</i>	DRG. No.: TAR-K-9058			
OFFICER/PRODN.		 ORDNANCE FACTORY TIRUCHIRAPPALLI-16.			SHEETS: 01
OFFICER/D&DO	<i>E. K. S.</i>				SHEET No.: 01
AMENDMENTS	SIG. & DATE	APPROVED ON.	.07.2018		

DIMENSIONS ARE IN mm.
 UNTOLERATED DIMENSIONS AS PER IS:2102(MED)
 PROTECTIVE FINISH :- PHOSPATED TO SPEC:
 JSS:0465-01-1988 CLASS-I (ACCELERATED) OIL FINISH.

UN CONTROLLED COPY

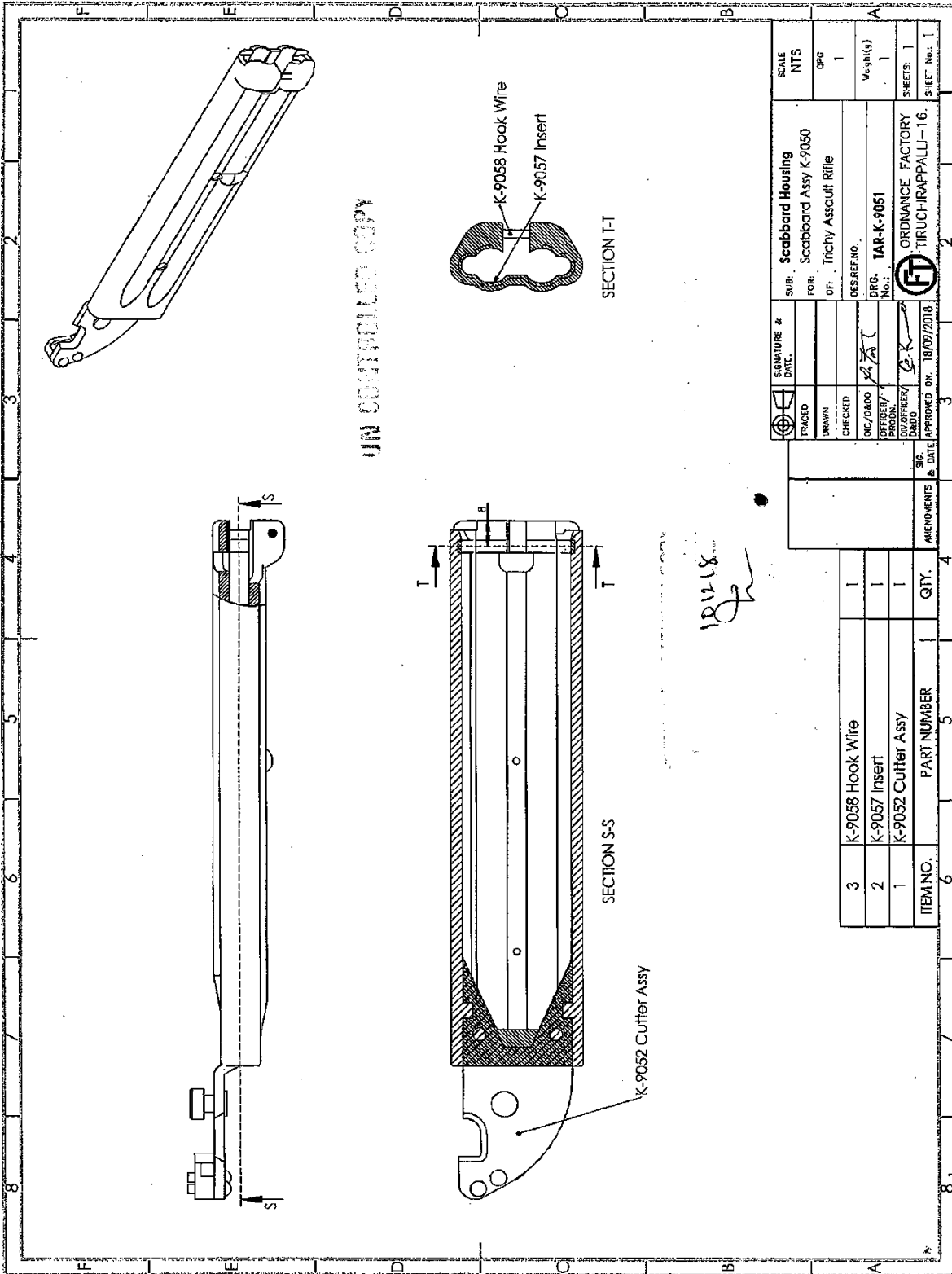


CERTIFIED CORRECT COPY
 OF APPROVED DRAWINGS
 AT THIS DATE 10/11/18

Design & Production Office
 Ordnance Factory,
 Tiruchirappalli-620016

MATERIAL:- BS 1449 Pt.1:1983 Gr. CS40
 BS 1449 Pt.1:1983 Gr. CS50
 IS 2507-1975 Gr.1 DESIGN 45C8

PART NO.	DESCRIPTIONS	1	MATERIAL	TREATMENT	REMARKS
	SIGNATURE & DATE.	SUB: INSERT (SCABBARD)		SCALE NTS	
TRACED		FOR: BAYONET ASSY.		STORE DRG.NO. K 9057	
DRAWN		OF: TRICHY ASSAULT RIFLE		OPERATION NO.	
CHECKED		DES.REF.NO.			
HOS/D&DO	<i>P. Toth</i>	DRG. No.: TAR-K-9057		SHEETS: 01	
OFFICER/PRDN.				SHEET No.: 01	
OFFICER/D&DO	<i>A. K. a</i>				
AMENDMENTS	SIG. & DATE	APPROVED ON. .07.2018			



UN CONTROLLED COPY

SECTION T-T

SECTION S-S

12/18
[Signature]

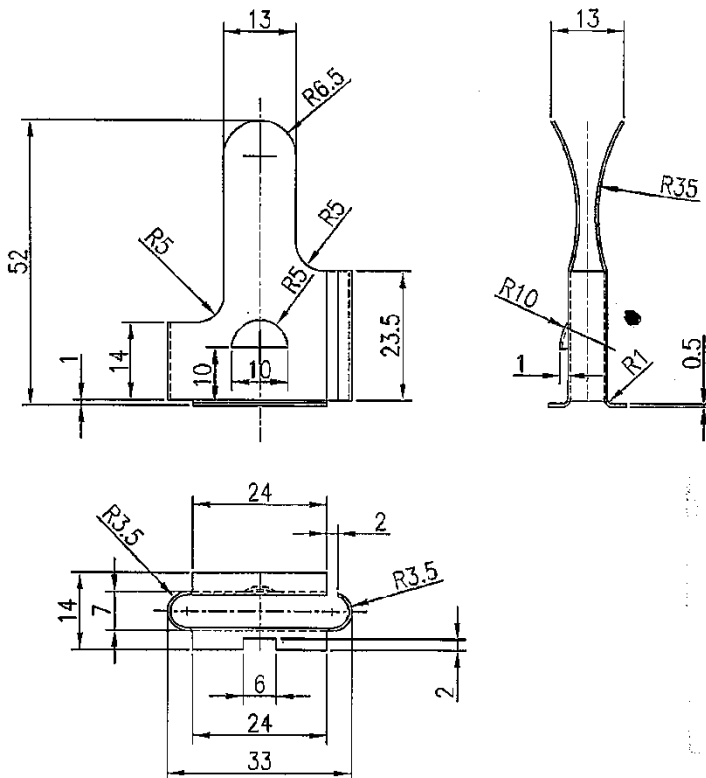
SIGNATURE & DATE:		SUB: Scabbard Housing		SCALE: NTS	
FRAMED:		FOR: Scabbard Assy K-9050		DPC: 1	
DRAWN:		OF: Trichy Assault Rifle		Weight(g): 1	
CHECKED:		DES. REF. NO.:		DRG. No.:	
DTC/DABO:		DRG. No.:		SHEETS: 1	
OFFGEB/PROBN.:		DRG. No.:		SHEET No.: 1	
DIV. OFFICER/DABO:		DRG. No.:		SHEET No.: 1	
DABO:		DRG. No.:		SHEET No.: 1	
APPROVED ON: 18/09/2018		DRG. No.:		SHEET No.: 1	
SIC. & DATE:		DRG. No.:		SHEET No.: 1	
AMENDMENTS:		DRG. No.:		SHEET No.: 1	
PART NUMBER		DRG. No.:		SHEET No.: 1	
QTY.		DRG. No.:		SHEET No.: 1	

3	K-9058 Hook Wire	1
2	K-9057 Insert	1
1	K-9052 Cutter Assy	1
ITEM NO.	PART NUMBER	QTY.

ORDNANCE FACTORY
TIRUCHIRAPPALLI-16.


DIMENSIONS ARE IN mm.
 UNTOLERATED DIMNS. AS PER IS : 2102 (MED)
 PROTECTIVE FINISH :- PHOSPATED TO SPEC:
 JSS:0465-01-1988 CLASS-I (ACCELERATED) OIL FINISH.

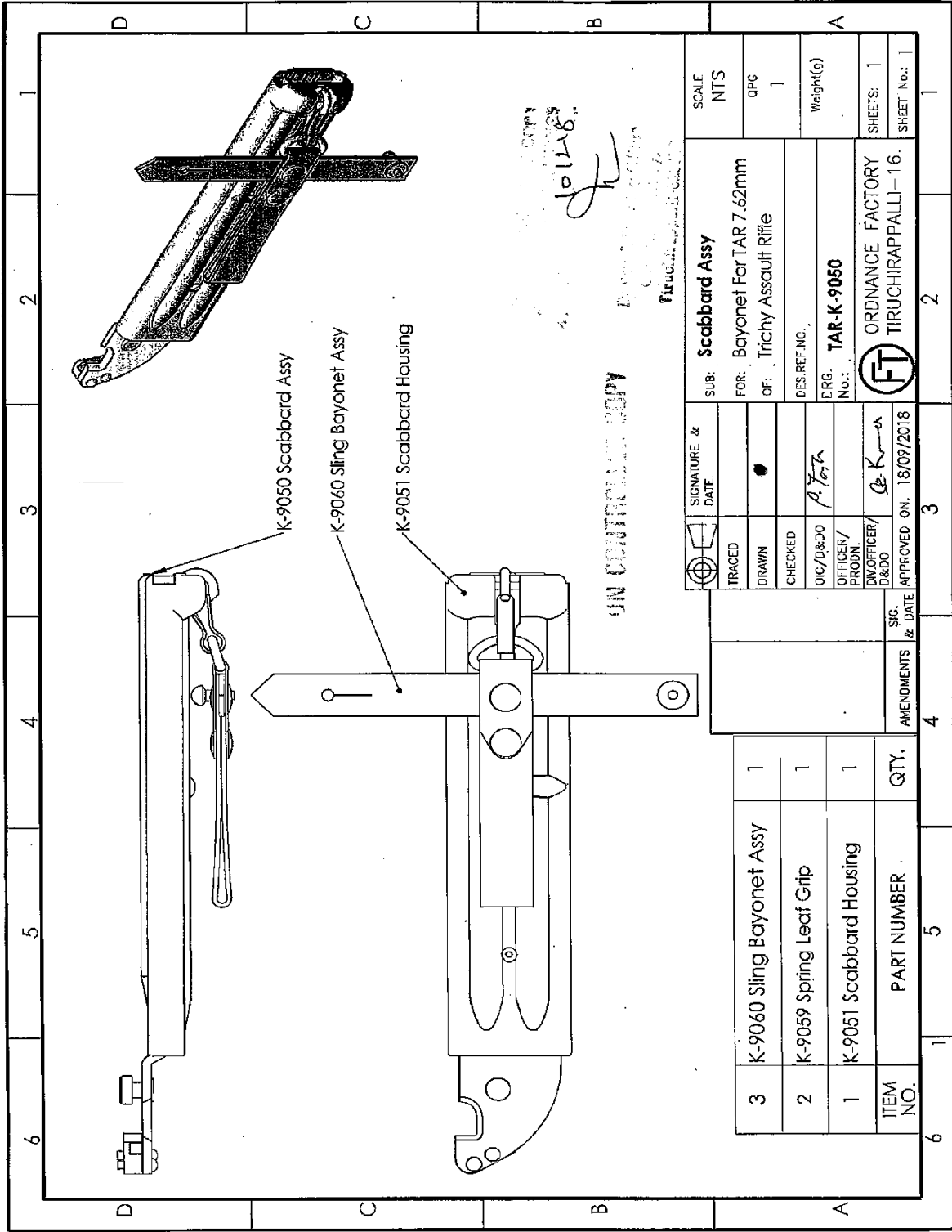
UN CONTROLLED COPY



HARDNESS :- 390-460 HV

MATERIAL:-
 IS: 2507-1975 Gr.6 DESIGN 80C6 (OR) En42J
 IS: 1570 (Part-II)-1979 DESIGN 80C6

1		1		X	X
PART NO.	DESCRIPTIONS	NO OFF	MATERIAL	TREATMENT	REMARKS
	SIGNATURE & DATE.	SUB: SPRING LEAF GRIP			SCALE NTS
	TRACED	FOR: BAYONET ASSY.			STORE DRG.NO.
	DRAWN	OF: TRICHY ASSAULT RIFLE			K 9059
	CHECKED	DES.REF.NO.			OPERATION NO.
	HOS/D&DO <i>P. Park</i>	DRG. No.: TAR-K-9059			
	OFFICER/PRD.N.	 ORDNANCE FACTORY TIRUCHIRAPPALLI-16.			SHEETS: 01
	OFFICER/D&DO <i>G. K...</i>				SHEET No.: 01
AMENDMENTS	SIG. & DATE	APPROVED ON. .07.2018			



UN CONTROLLED COPY

SCALE	NTS
QPC	1
Weight(g)	
SUBJECT	Scabbard Assy
FOR	Bayonet For TAR 7.62mm
OF	Trichy Assault Rifle
DES. REF. NO.	
DRG. No.	TAR-K-9050
ORDNANCE FACTORY	
TIRUCHIRAPPALLI-16.	
SIGNATURE & DATE	
TRACED	
DRAWN	
CHECKED	
CHK/D&DO	
OFFICER/PROON.	
CHK/D&DO	
SIC. & DATE	
APPROVED ON.	18/09/2018

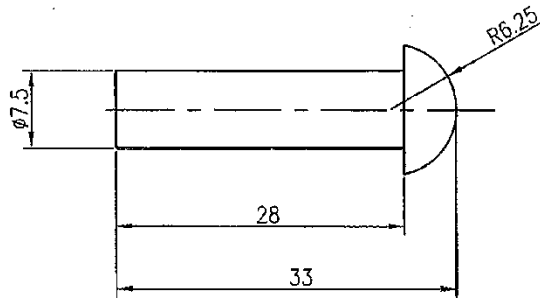
ITEM NO.	PART NUMBER	QTY.
3	K-9060 Sling Bayonet Assy	1
2	K-9059 Spring Leaf Grip	1
1	K-9051 Scabbard Housing	1

AMENDMENTS & DATE

6 1 5 4 3 2 1

DIMENSIONS ARE IN mm.
 UNTOLERATED DIMENSIONS AS PER IS:2102(MED)
 PROTECTIVE FINISH :- PHOSPATED TO SPEC:
 JSS:0465-01-1988 CLASS-I (ACCELERATED) OIL FINISH.

UN CONTROLLED COPY



CERTIFIED COPY WILL BE
 OF APPROVED DRAWINGS
 AT THIS DATE 10/11/18...

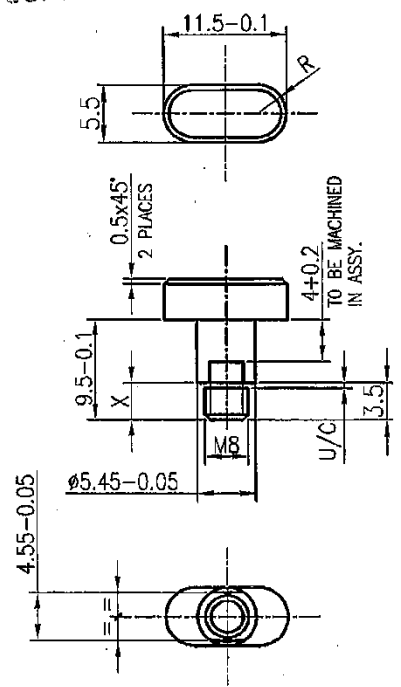
Design & Drawing Office
 Ordnance Factory
 Tiruchirappalli-620016

MATERIAL:- IS 226-1975 (OR) IS 2062- 2011
 (ANY GRADE E-250,275,300,350,410,450,550,600,650)
 IS 2155-1962
 (CHEMICAL COMP. MATCH TO IS:7557-1974)

PART NO.		DESCRIPTIONS	NO OFF	MATERIAL	TREATMENT	REMARKS
⊕		SIGNATURE & DATE.	SUB: RIVET BAYONET (BLADE ASSY)		SCALE NTS	
TRACED			FOR: BAYONET ASSY.		STORE DRG.NO. K 9045	
DRAWN			OF: TRICHY ASSAULT RIFLE		OPERATION NO.	
CHECKED			DES.REF.NO.		SHEETS: 01	
HOS/D&DO		<i>P. Toth</i>	DRG. No.: TAR-K-9045		SHEET No.: 01	
OFFICER/ PRODN.						
OFFICER/ D&DO		<i>S. R. S.</i>				
AMENDMENTS	SIG. & DATE	APPROVED ON: .07.2018				

UN CONTROLLED COPY

DIMENSIONS ARE IN mm.
 UNTOLERATED DIMNS. AS PER IS : 2102 (MED)
 PROTECTIVE FINISH :- PHOSPATED TO SPEC:
 JSS:0465-01-1988 CLASS-I (ACCELERATED) OIL FINISH.



10/12/18

MATERIAL:-
 BS 970 PT.1 1983 GR. 709 M40 (OR) En 19
 BS 970 PT.1 1983 GR. 708 M40 (OR) En 19A

HARDNESS :- 320-380 HV
 PORTION MARKED 'X' TO BE KEPT SOFT.

1		1		HRD&GRD	325-375 HV
PART NO.	DESCRIPTIONS	NO OFF	MATERIAL	TREATMENT	REMARKS
⊕	SIGNATURE & DATE.	SUB: FULCRUM BAYONET			SCALE NTS
TRACED		FOR: BAYONET ASSY.			STORE DRG.NO.
DRAWN		OF: TRICHY ASSAULT RIFLE			K 9056
CHECKED		DES.REF.NO.			OPERATION NO.
HOS/D&DO	<i>P. Dey</i>	DRG. No.: TAR-K-9055			
OFFICER/PRODN.		ORDNANCE FACTORY TIRUCHIRAPPALLI-16.			SHEETS: 01
OFFICER/D&DO	<i>Ge. K...</i>				SHEET No.: 01
AMENDMENTS	SIG. & DATE	APPROVED ON.	.07.2018		