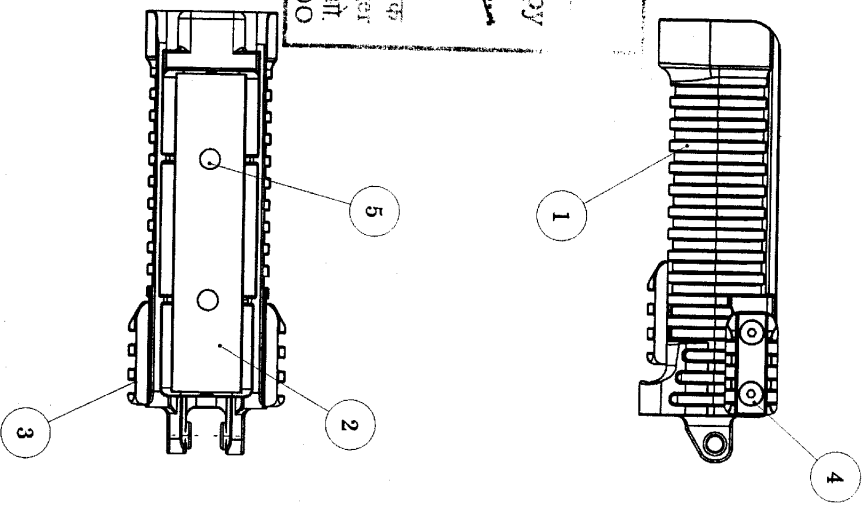


LSS	C	V	VV	S	SS	CI
0 0 0	0 0 0	0 0	0 0	7 0	1 0	1 0 6 1

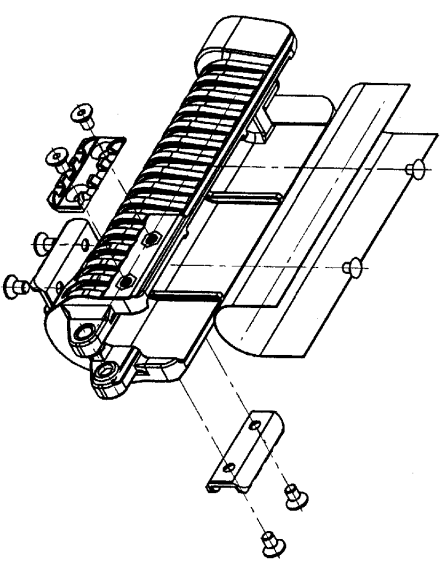
GENERAL TOL. : FINE / MEDIUM / COARSE DRG. CONVENTIONS CONFORM TO INDIAN STANDARDS CLASS TO IS: 2102 DIMENSIONS ARE IN mm UNLESS OTHERWISE STATED

ड्राइंग की सही प्रमाणित
 प्रमाणित किया गया... 07/06/23
 Certified as correct copy
 of drg. on.....

क. कार्यालया प्रबन्धक
 श्री. सी.एन.
 Jr. Works Manager
 DDO



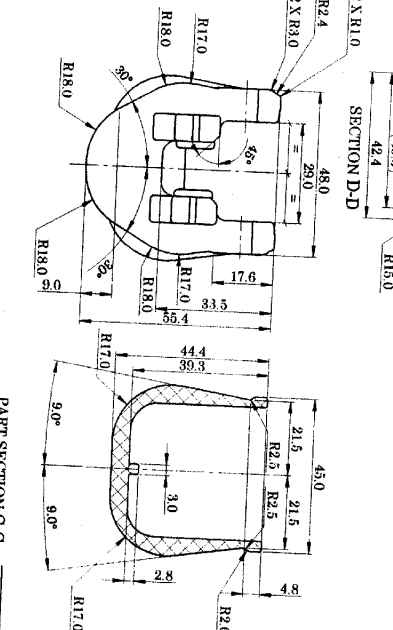
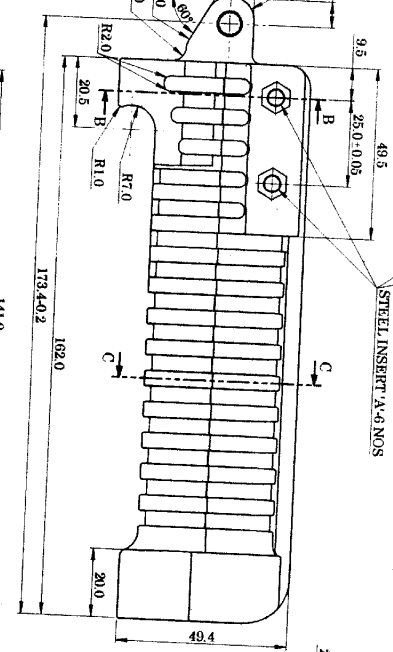
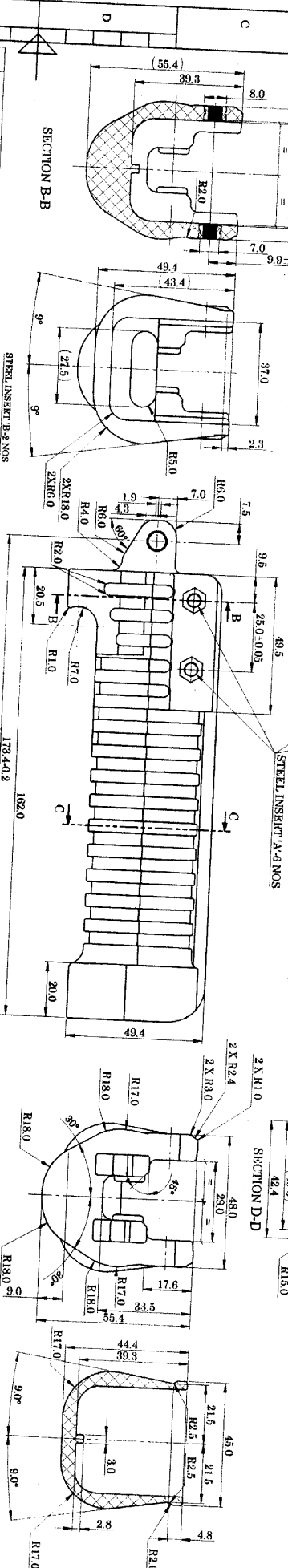
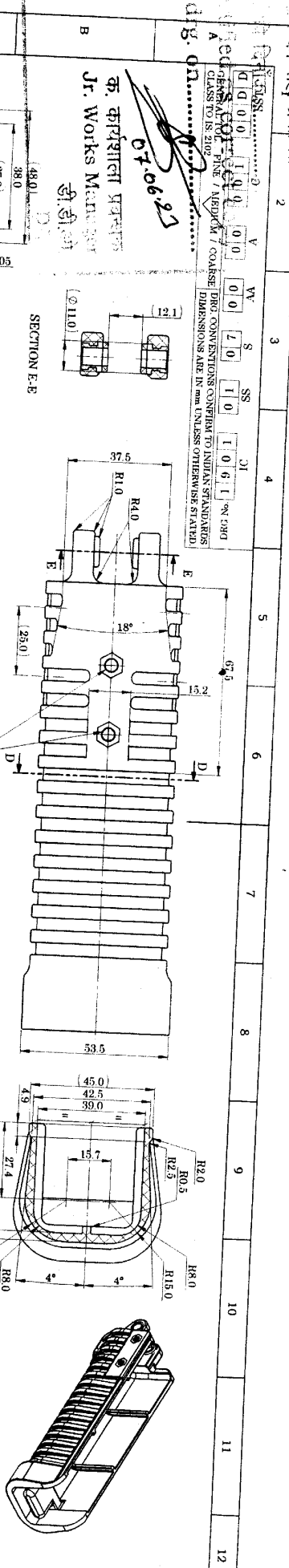
ITEM NO.	PART NAME	DRAWING NUMBER	QTY.
1	LOWER HAND GUARD	1901 01 07 00 00 01 00DD	1
2	REFLECTOR	1901 01 07 00 00 02 00DC	1
3	PICATINY LOWER HANDGUARD	1901 01 07 00 00 03 00DC	3
4	SCREW PICATINY	BS EN ISO 10642 - M5 x 8 - 8N STD	6
5	SCREW REFLECTOR	HAMMER DRIVE SCREW No. IS:7519-1974 No. 4X5 NICKEL PLATED. STD	2



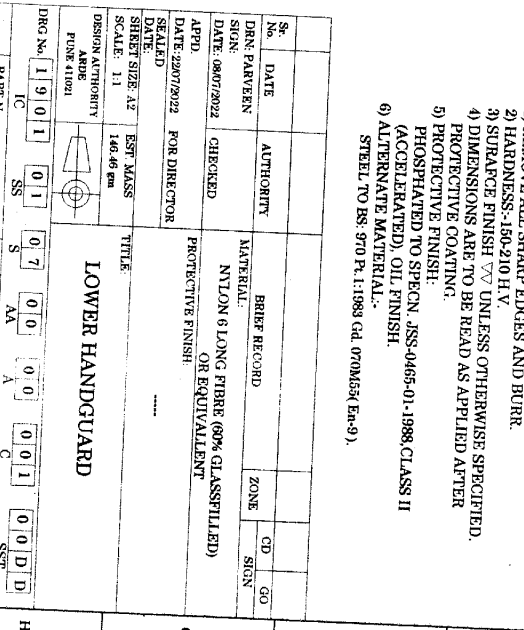
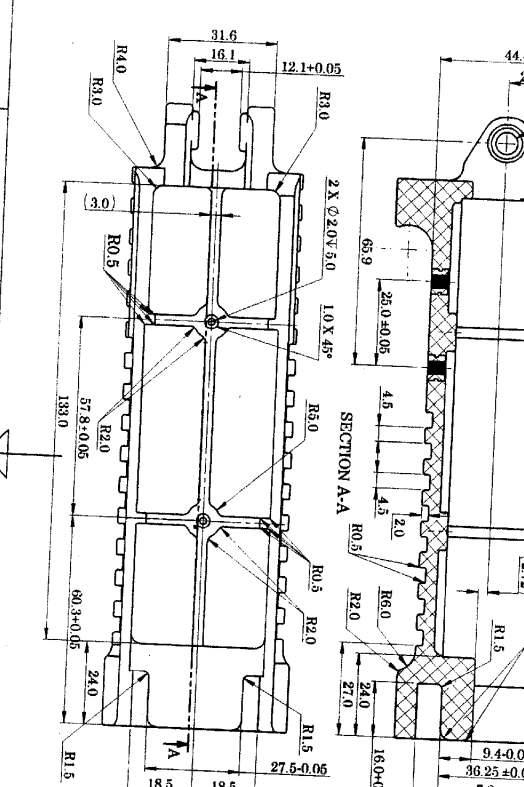
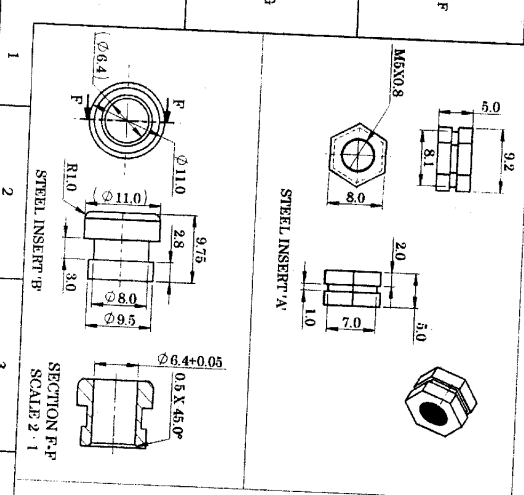
Sr. No.	DATE	AUTHORITY	BRIEF RECORD	ZONE	CD	GO
DRN: PARVEEN			MATERIAL:			
SIGN:	DATE: 08/07/2022	CHECKED				
APPD.	DATE: 22/07/2022	FOR DIRECTOR	PROTECTIVE FINISH:			
SEALED						
SHEET SIZE: A3	EST. MASS	TITLE:	LOWER HAND GUARD ASSEMBLY			
SCALE: 1:2	231.85gms					
DESIGN AUTHORITY						
DESIGN ARDE PUNE 411021						
DRG No. 1 9 0 1	IC	SS	S	AA	A	C
	0 1	0 1	0 7	0 0	0 0	0 0 0
						0 0 D D
						SST
GQB	PART No.	DS CAT No.	AHSP			

1 2 3 4 5 6 7 8

CLASS: 01
 DIV: 01
 PROJECT: 01
 SHEET: 01
 DATE: 07.06.92
 DESIGNED BY: J. WORKS MANAGER
 CHECKED BY: J. WORKS MANAGER
 CLASSIFIED TO IS 2100
 DIMENSIONS ARE IN mm UNLESS OTHERWISE STATED



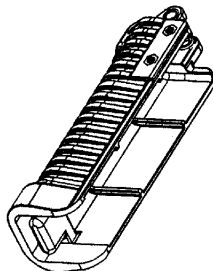
SIR NO.	COMPONENT NAME	QTY.	MATERIALS
1	STEEL INSERT 'A'	6	STEEL TO BS 970 PT. 1:1983 (GD 080 M40 (Em-8)/Em-9)
2	STEEL INSERT 'B'	2	STEEL TO BS 970 PT. 1:1983 (GD 080 M40 (Em-8)/Em-9)



NOTE FOR STEEL INSERT:
 1) REMOVE ALL SHARP EDGES AND BURR.
 2) HARDNESS:-150-210 HV.
 3) SURFACE FINISH: UNLESS OTHERWISE SPECIFIED.
 4) DIMENSIONS ARE TO BE READ AS APPLIED AFTER PROTECTIVE COATING.
 5) PROTECTIVE FINISH: PHOSPHATED TO SPECN. SSS-0465-01-1988 CLASS II (ACCELERATED), OIL FINISH.
 6) ALTERNATE MATERIAL: STEEL TO BS 970 P. 1:1983 (GD 070M56 (Em-9)).

SR.	DATE	AUTHORITY	BRIEF RECORD	ZONE	CD	GO
1	08/07/2022	CHECKED	NYLON 6 LONG FIBRE (99% GLASS FILLED) OR EQUIVALENT			
2	22/07/2022	FOR DIRECTOR	PROTECTIVE FINISH			

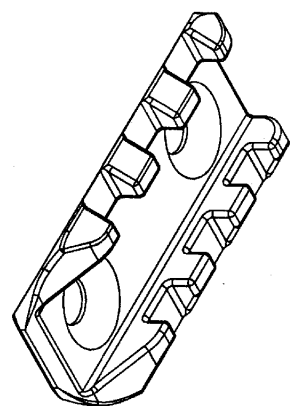
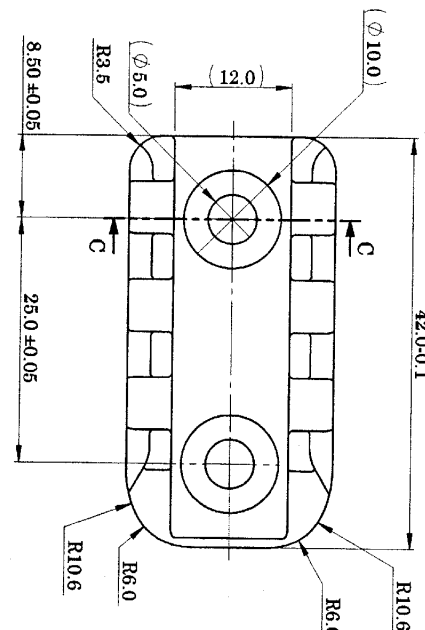
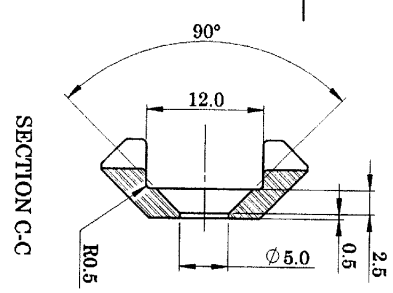
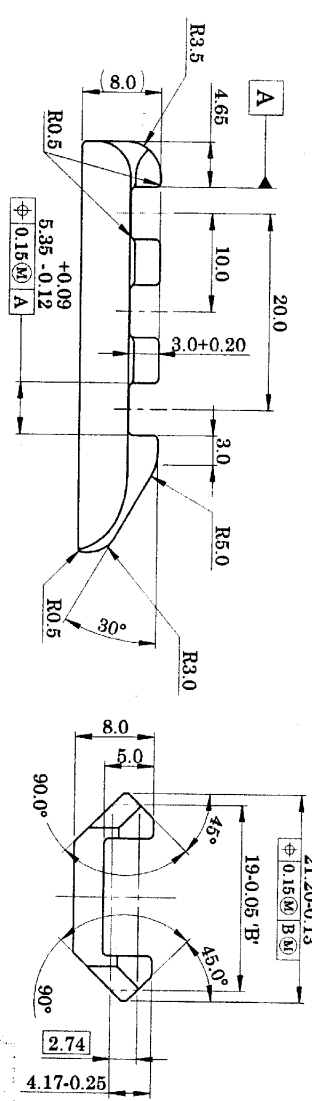
DESIGN AUTHORITY: PUNE 41021
 EST. MASS: 146.46 gm
 SCALE: 1:1
 SHEET SIZE: A2
 DATE: 22/07/2022
 SEALD: FOR DIRECTOR
 TITLE: LOWER HANDGUARD



QXB	PART No.	ISS CAT No.	AHSP
1	901	07	001
2	01	00	001
3	00	00	001
4	00	00	001
5	00	00	001
6	00	00	001
7	00	00	001
8	00	00	001
9	00	00	001
10	00	00	001
11	00	00	001
12	00	00	001

GENERAL TOL. FINE / MEDIUM / COARSE DRG. CONVENTIONS CONFORM TO INDIAN STANDARDS CLASS TO IS: 2102

1	2	3	4	5	6	7	8
LSS	C	V	VS	S	SS	CI	ON DRG
0	0	0	0	0	0	0	0
0	0	0	0	0	0	0	0



कर्मचारी को सही प्रमाणित
 करवावे दिनांक.....
 Certified as correct copy
 of drg. on.....
 01.06.22
 क. कारशाता प्रबन्धक
 Jr. Works Manager
 टी.टी.सी.
 DPO

NOTE:-
 1) REMOVE ALL SHARP EDGES AND BURRS.
 2) SURFACE FINISH ALL OVER EXCEPT STATED SPECIFIED.
 3) TOL. FOR ANGLE +30°
 4) BLACK HARD ANODIC COATING 40-50 MICRON THICKNESS AS PER IS:6057 & INSPECTED AS PER IS:5623-1983.

DRG No	1901070000300DC	IC	01	SS	07	00	00	00	03	00	DC
DRG No	1901070000300DC	IC	01	SS	07	00	00	00	03	00	DC
DESIGN AUTHORITY	PUNE 411021	ESTD. MASS	7.56 gms	TITLE: PICATINY LOWER HANDGUARD							
DATE: 22/07/2022	FOR DIRECTOR	DATE: 22/07/2022	FOR DIRECTOR	MATERIAL: AL ALLOY 64430 WP (IS:733-1983) OR EQUIVALENT							
DATE: 08/07/2022	CHECKED	DATE: 08/07/2022	CHECKED	PROTECTIVE FINISH:							
DRG No	1901070000300DC	IC	01	SS	07	00	00	00	03	00	DC
DRG No	1901070000300DC	IC	01	SS	07	00	00	00	03	00	DC

1 2 3 4 5 6 7 8