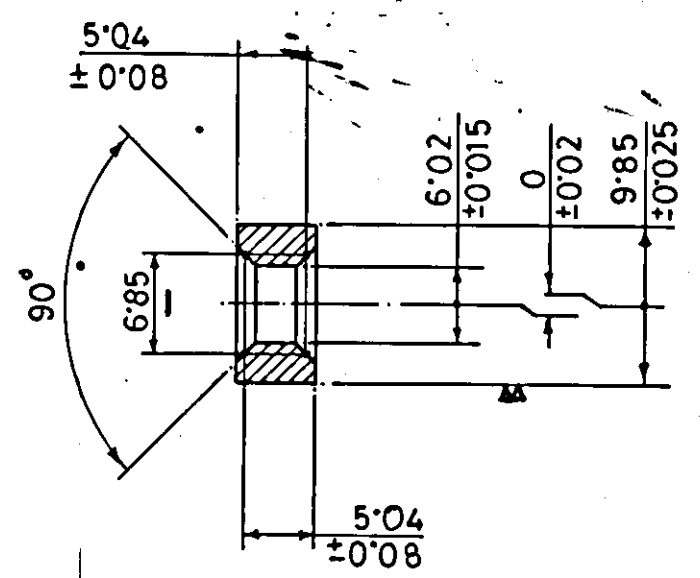
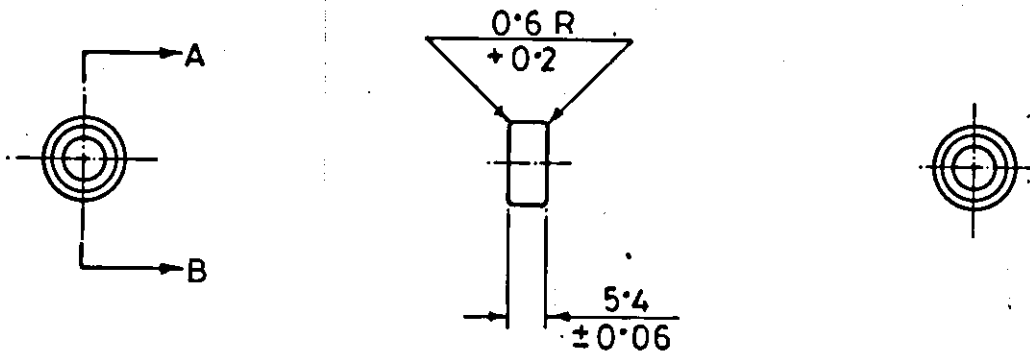


699000-5001

ON
D.S. CAT.

DIMNS. ARE IN mm.



SECTION - A B
SCALE - 2:1

SURFACE FINISH:-
AS PER IS:3073, WHERE NOT SPECIFIED SHOULD BE ∇

26.03.2002.	25307-SA	RECORD OF RECEIPT CANCELLED AND DRG. SEALED AFRESH.		
04-6-99	24385-SA	PROFORMA CHANGED, SURFACE FINISH AMENDED, NEG. RE-TRACED AND DRG. RE-SEALED AS A RECORD OF RECEIPT.		
		PREVIOUS D.C. NOS. 15414-SA, 16538-SA, 18075-SA, 19845-SA, 21603-SA, 23223-SA		
DATE	AUTHY.	BRIEF RECORD	ZONE	I/C, D.O. G.O.
SEALED:- D.C.No.: 25307-SA DT. 26.03.2003.			SIG.	

DRN.	CHD.	TRD. <i>Murana</i>	COMP. <i>M. Banhi</i>	AHSP CQA(SA)ICHAPUR
SCALE :- 1:1, 2:1		EST. MASS.		
DT. 04-6-99	<i>Anles</i>	APPROVED. DT	NEG. RE-TRACED.	ASSY. 1005-000558
MATERIAL :- BS:970:PT 1:1983 GR.535 A 99				
H.T/HARDNESS :- QUENCHED AND TEMPERED 80 HRA MIN		DGNR'S REF.		
PROTECTIVE FINISH :- PHOSPHATE TO SPECN. JSS: 0465-01: 1988 CLASS II (ACCELERATED), OIL FINISH.		PART. NO. 32 BB		
NOMENCLATURE ROLLER		DRG. NO. A 1245		
		D.S. CAT. NO. 1005-000559		