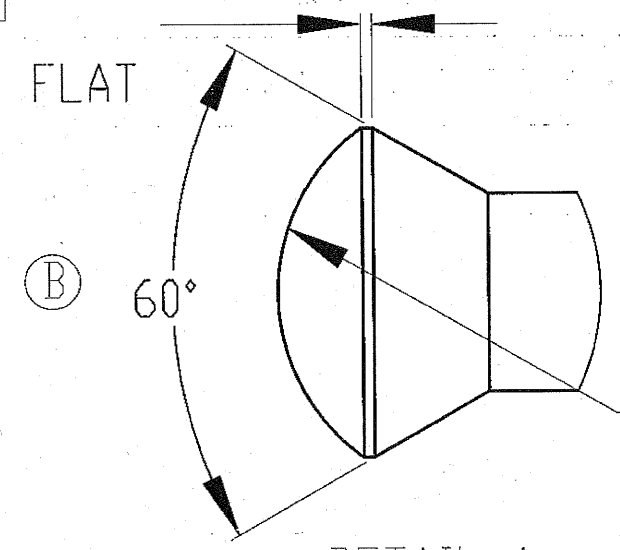


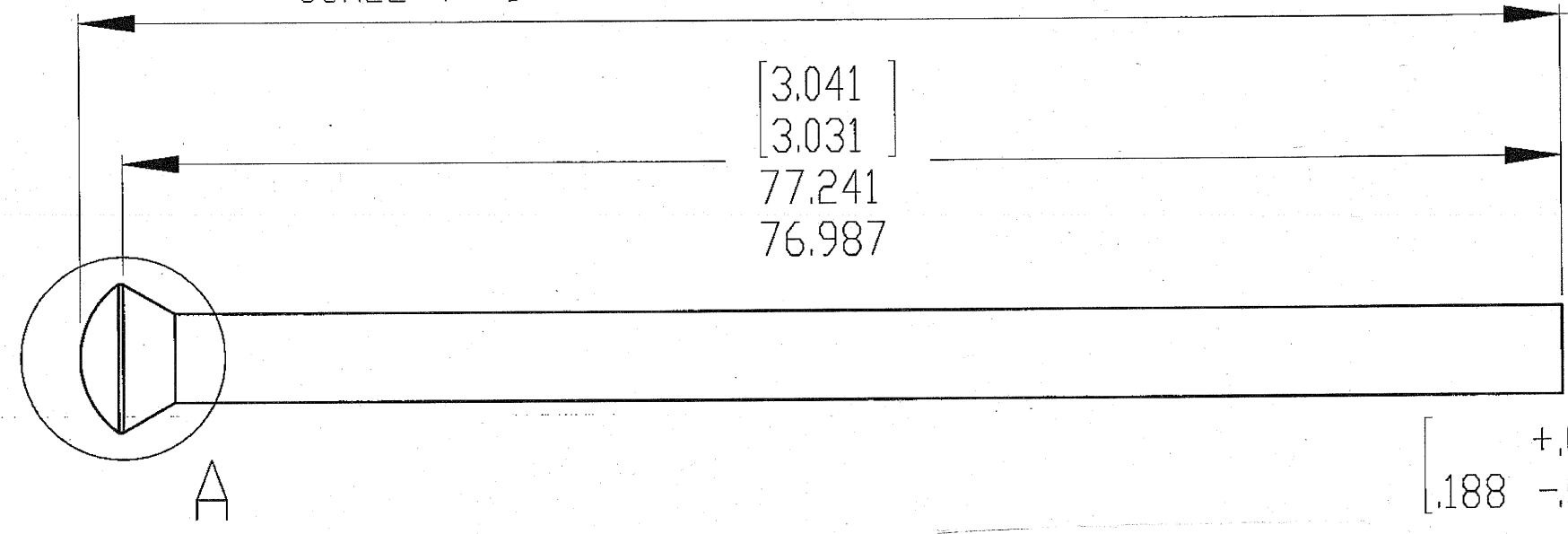
M-1203

[.020]  
[.010]  
.508  
.254



SPHERICAL RADIUS  
SEE NOTE 1

DETAIL A  
SCALE 4 : 1

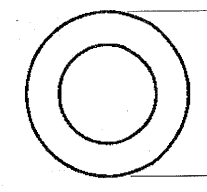


[3.041]  
[3.031]  
77.241  
76.987

[3.131]  
[3.121]  
79.527  
79.273

[+0.000]  
[.313 -.010]  
+.003  
ø 7.950 -.254

[+0.000]  
[.188 -.002]  
+.003  
ø 4.775 -.051



UNCONTROLLED COPY  
CERTIFIED CORRECT COPY OF APPROVED  
DRAWINGS AT THIS DATE. 28.09.2021  
DESIGN & DRAWING OFFICE,  
ORDNANCE FACTORY, TIRUCHIRAPPALI - 620 016.

24 AUG 2021  
R:  
हस्ताक्षर/Sig  
For Code (API)

NOTES:

1. FLAT ON CROWNED HEAD WITHIN TOLERANCE PERMISSIBLE.
2. BREAK EDGES 0.127-0.254

REVISIONS		REVISIONS	DATE	APPROVED
ZONE	REV.	DESCRIPTION	DATE	APPROVED
	B	ADDED MISSING ANGLE DIMENSION	11/8/2007	DLA
	C	CHANGED RADIAL CALLOUT	11/29/2007	DLA
	D	MATERIAL CHANGE; WAS 1035 THRU 1038	5/13/2008	J. HERSHBERGER

PROPRIETARY AND CONFIDENTIAL  
THE INFORMATION CONTAINED IN THIS  
DRAWING IS THE SOLE PROPERTY OF  
OHIO ORDNANCE WORKS, INC. ANY  
REPRODUCTION IN PART OR AS A WHOLE  
WITHOUT THE WRITTEN PERMISSION OF  
OHIO ORDNANCE WORKS, INC. IS  
PROHIBITED.

UNLESS OTHERWISE SPECIFIED: DIMENSIONS ARE IN MM/[INCHES] ALL THREAD DIM. ARE IN INCHES TOLERANCES: FRACTIONAL ±0.015 ANGULAR: MACH ±0.5° TWO PLACE DECIMAL ±0.127 THREE PLACE DECIMAL ±0.076		NAME	DATE
INTERPRET GEOMETRIC TOLERANCING PER:		DRAWN	ALBRIGHT 08/30/07
MATERIAL AIS1 1018		CHECKED	
FINISH NONE		ENG APPR.	
DO NOT SCALE DRAWING		MFG APPR.	
		Q.A.	
		COMMENTS:	

OHIO ORDNANCE WORKS, INC.		
RIVET, MAIN TRUNNION, 00W50BMG		
SIZE A	5013558	REV D
SCALE: 1:1	WEIGHT:	SHEET 1 OF 1