

K-9030* BAYONET FOR TAR 7.62mm	K-9040* BAYONET ASSY.	K-9041* BAYONET GRIP MOULDING	K-9043 BLADE	1	
			K-9044* CROSS PIECE	2	
			K-9045 RIVET BAYONET (2)	3	
			K-9046 INSERT BAYONET	4	
			K-9047 CATCH	5	
			K-9048* PLUNGER	6	
			K-9049 SPRING CATCH	7	
	K-9050* SCABBARD ASSY.	K-9051* SCABBARD HOUSING	K-9052* CUTTER ASSY.	K-9053* PLATE CUTTER	8
				K-9054* STOPPER	9
				K-9055* FULCRUM BAYONET	10
				K-9045 RIVET BAYONET (2)	11
				K-9057 INSERT	12
	K-9060* SLING BAYONET ASSY.	K-9059 SPRING LEAF GRIP	K-9061* SPRING HOOK	K-9058 HOOK WIRE	13
				K-9062 BUCKLE	14
				K-9063 PLATE FOLDED	15
				K-9064* STRAP 17mm WIDE	16
				K-9065 RIVET STRAP	17
				K-9066* STRAP 15mm WIDE	18
				K-9067 BUTTON	19
				K-9068 WASHER BUTTON	20
					21
					22

CERTIFIED CORRECT COPY
 OF APPROVED DRAWINGS
 AT THIS DATE.....

01.04.2021

Design & Drawing Office
 Ordnance Factory,
 Tiruchirappalli-620016

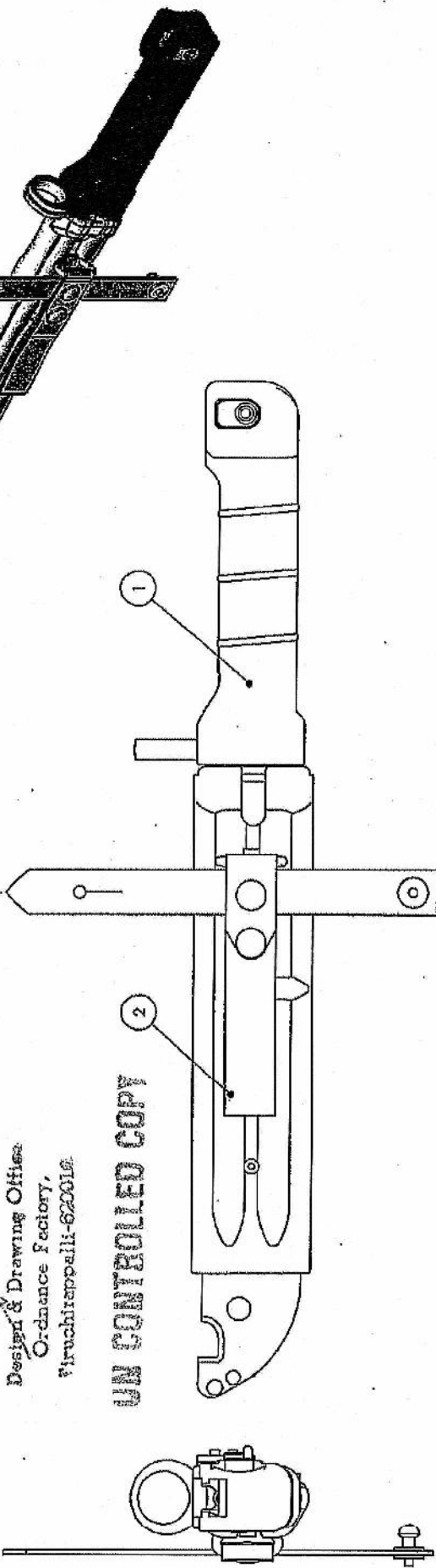
UN CONTROLLED COPY

CERTIFIED CORRECT COPY
 OF APPROVED DRAWINGS
 AT THIS DATE.....

01.04.2021

Design & Drawing Office
 Ordnance Factory,
 Tiruchirappalli-620016

UN CONTROLLED COPY



6 5 4 3 2 1

D C B A

2	K-9050 Scabbard Assy	1
1	K-9040 Bayonet Assy	1
ITEM NO.	PART NUMBER	QTY.

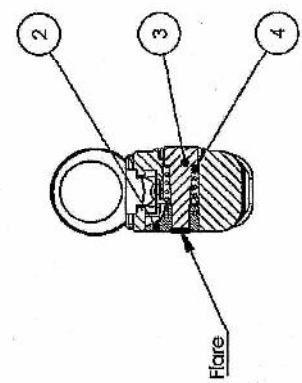
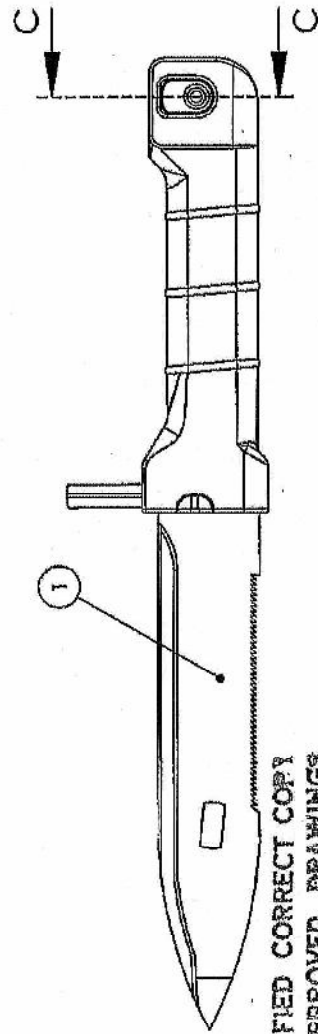
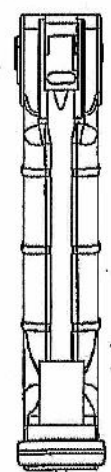
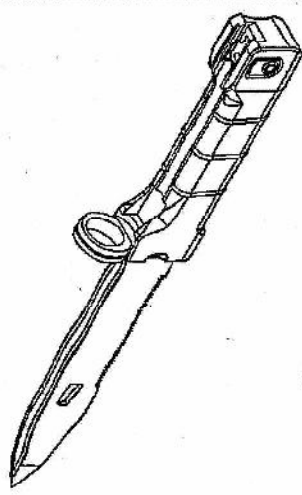
TRACED	SIGNATURE & DATE.
DRAWN	
CHECKED	
OIC/D&DO	<i>P. Venk</i>
OFFICER/PRODN.	
DIV.OFFICER/D&DO	<i>S. K</i>
APPROVED ON: 30/08/2018	

SCALE NTS	SUB: Bayonet for TAR 7.62mm
QPC 1	FOR: SPTA
Weight(g)	OF: Trichy Assault Rifle
SHEETS: 1	DES. REF. NO.
SHEET No.: 1	DRG. No.: TAR-K-9030 *
	ORDNANCE FACTORY TIRUCHIRAPPALI-16.



6 5 4 3 2 1

6 5 4 3 2 1



SECTION C-C

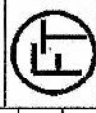
CERTIFIED CORRECT COPY
 OF APPROVED DRAWINGS
 AT THIS DATE..... 01.04.2021

Design & Drawing Office
 Ordnance Factory,
 Tiruchirappalli-620016.

UN CONTROLLED COPY

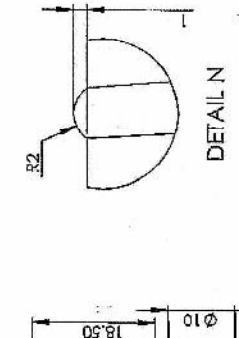
ITEM NO.	PART NUMBER	QTY.
4	K-9049 Spring Catch ✓	1
3	K-9048 *Plunger ✓	1
2	K-9047 Catch ✓	1
1	K-9041 *Bayonet Grip Moulding	1

TRACED DRAWN CHECKED OIC/D&DO OFFICER/ PRODN. DIV.OFFICER/ D&DO	SIGNATURE & DATE.	SUB: Bayonet Assy FOR: Bayonet For TAR 7.62mm OF: Trichy Assault Rifle DES. REF. NO. DRG. No.: TAR-K-9040*	SCALE NTS
	APPROVED ON: 02/08/2018 SIG. & DATE		Weight(g) SHEETS: 1 SHEET No.: 1

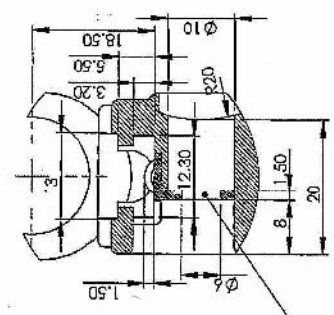


ORDNANCE FACTORY
 TIRUCHIRAPPALLI-16.

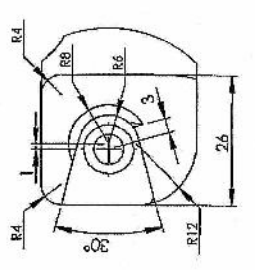
4 3 2 1



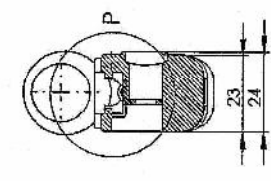
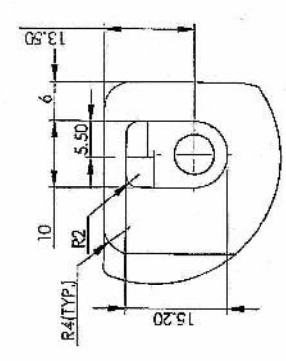
DETAIL N



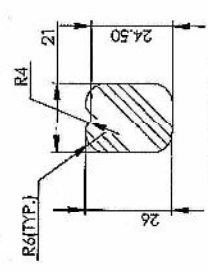
DETAIL P



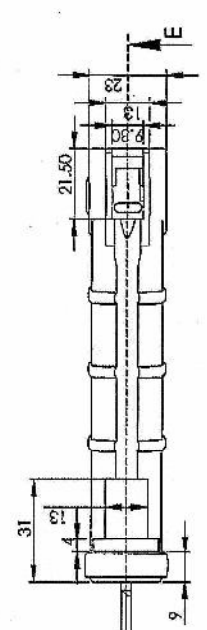
DETAIL R



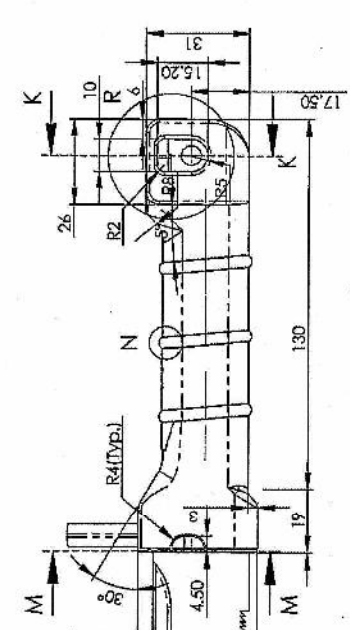
SECTION K-K



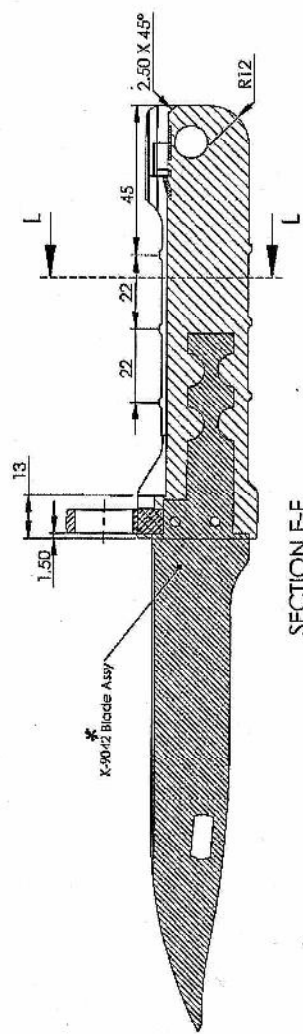
SECTION L-L



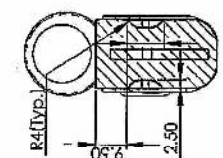
*K-9041 Bayonet Grip Moulding



*K-9042 Blade Assy



SECTION E-E



SECTION M-M

CERTIFIED CORRECT COPY
OF APPROVED DRAWINGS
AT THIS DATE: 01.04.2021
Design & Drawing Office
Ordnance Factory,
Tiruchirappalli-620016

UN CONTROLLED COPY

ITEM NO.	PART NUMBER	QTY.
2	K-9046 Insert Bayonet	1
1	K-9042 Blade Assy	1

TRACED	SIGNATURE & DATE:	SUB: Bayonet Grip Moulding	SCALE: NTS
DRAWN		FOR: Bayonet Assy K-9040	QPG
CHECKED		OF: Trchy Assault Rifle	1
OIC/D&DO		DES. REF. NO.	Weight(g)
OFFICER/PRODN:		DRG. No.: TAR-K-9041 *	1
DIV/OFFICER/D&DO			SHEETS: 1
SIG. & DATE			SHEET No.: 1
AMENDMENTS & DATE			

ORDNANCE FACTORY
TIRUCHIRAPPALLI-16.



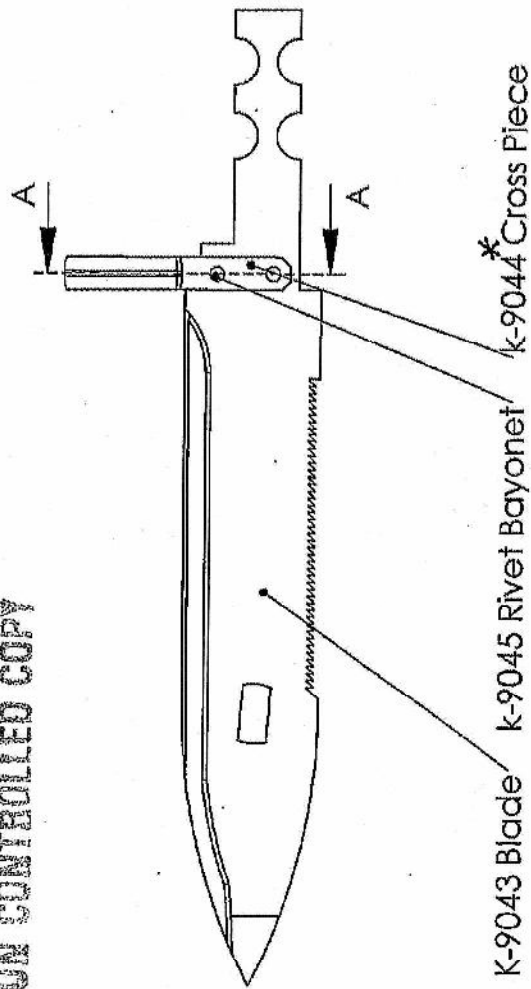
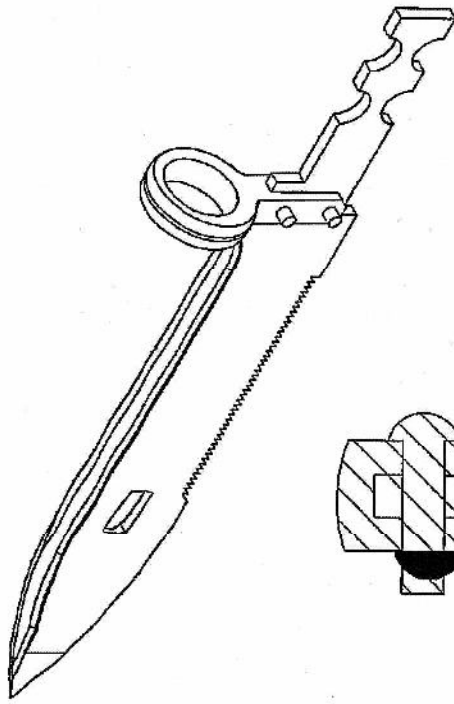
21.10.2021 06.8.19
APPROVED ON: 18/09/2018

CERTIFIED CORRECT COPY
OF APPROVED DRAWINGS
AT THIS DATE.....

01.04.2021

Design & Drawing Office
Ordnance Factory,
Tiruchirappalli-620016

UN CONTROLLED COPY



SECTION A-A
Cropped

6 5 4 3 2 1

D C B A

ITEM NO.	PART NUMBER	QTY.
3	k-9045 Rivet Bayonet	2
2	k-9044* Cross Piece	1
1	K-9043 Blade	1

TRACED DRAWN CHECKED OIC/D&DO OFFICER/ PRODN. DIV.OFFICER/ D&DO	SIGNATURE & DATE.	SUB: Blade Assy FOR: Bayonet Blade Assy OF: Trichy Assault Rifle DES. REF. NO. DRG. TAR-K-9042 * No.:	SCALE NTS
			Weight(g) 1
			SHEETS: 1
			SHEET No.: 1

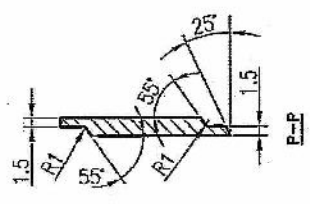
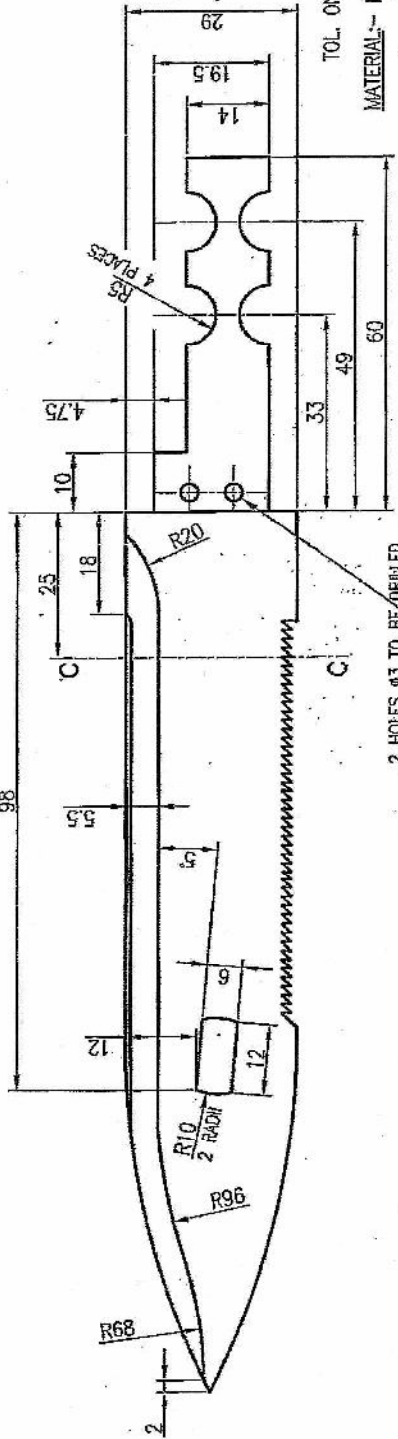
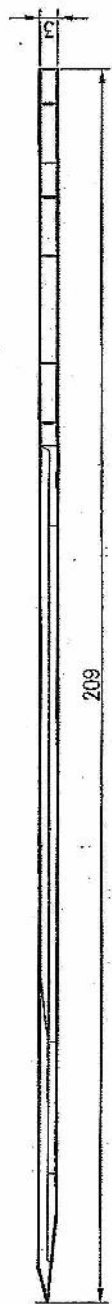
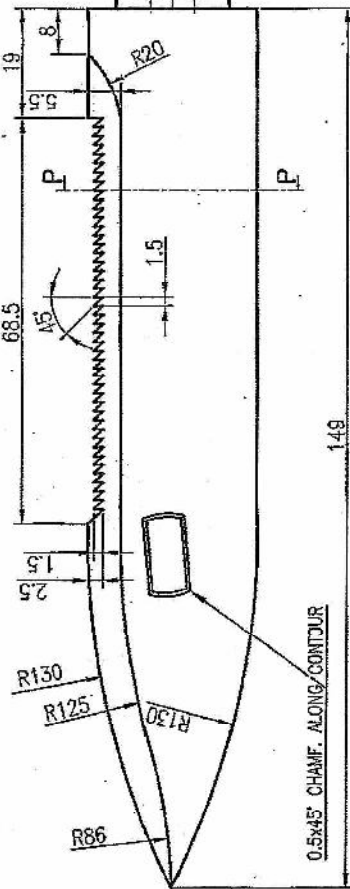


ORDNANCE FACTORY
TIRUCHIRAPPALLI-16.

DA No. 30/19	SIG.
06-08-19	
AMENDMENTS & DATE	APPROVED ON. 18/09/2018

6 1 1 5 4 3 2 1

D C B A



TOL. ON ANGLES : 30'

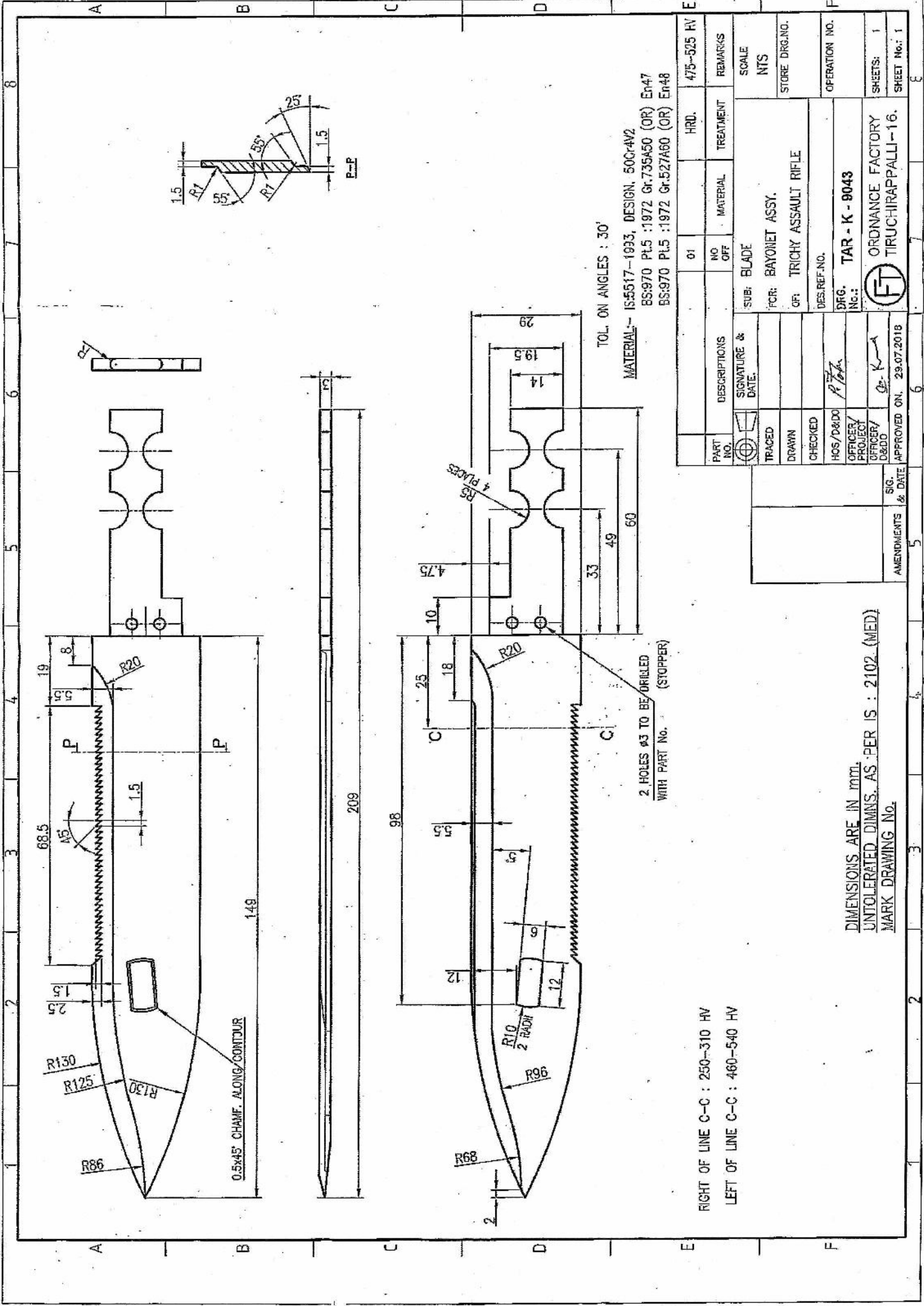
MATERIAL :- IS-5517-1933, DESIGN. 50C-4V2
 BS:970 PL5 :1972 Gr-735A50 (OR) Er47
 BS:970 PL5 :1972 Gr-527A60 (OR) Er48

2 HOLES ϕ 3 TO BE DRILLED WITH PART No. (STOPPER)

RIGHT OF LINE C-C : 250-310 HV
 LEFT OF LINE C-C : 460-540 HV

DIMENSIONS ARE IN mm.
 UNTOLERATED DIMS. AS PER IS : 2102 (MED)
 MARK DRAWING No.

PART NO.	DESCRIPTIONS	MATERIAL	TREATMENT	REMARKS
01	BLADE		HRD.	475-525 HV
NO OFF	SUB: BAYONET ASSY.			
TRACED	SIGNATURE & DATE:			SCALE NTS
DRAWN				STORE DRG.NO.
CHECKED				OPERATION NO.
HOS/D&DO				
OFFICER/PROJECT				
OFFICER/DRDO				
SIG. & DATE	DES. REF. NO.			
APPROVED ON: 29.07.2018	DFG. No.: TAR - K - 9043			
	ORDNANCE FACTORY TIRUCHIRAPPALLI-16.			
				SHEETS: 1
				SHEET No.: 1



CERTIFIED CORRECT COPY
OF APPROVED DRAWINGS
AT THIS DATE.....

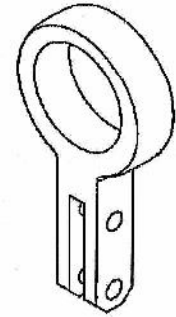
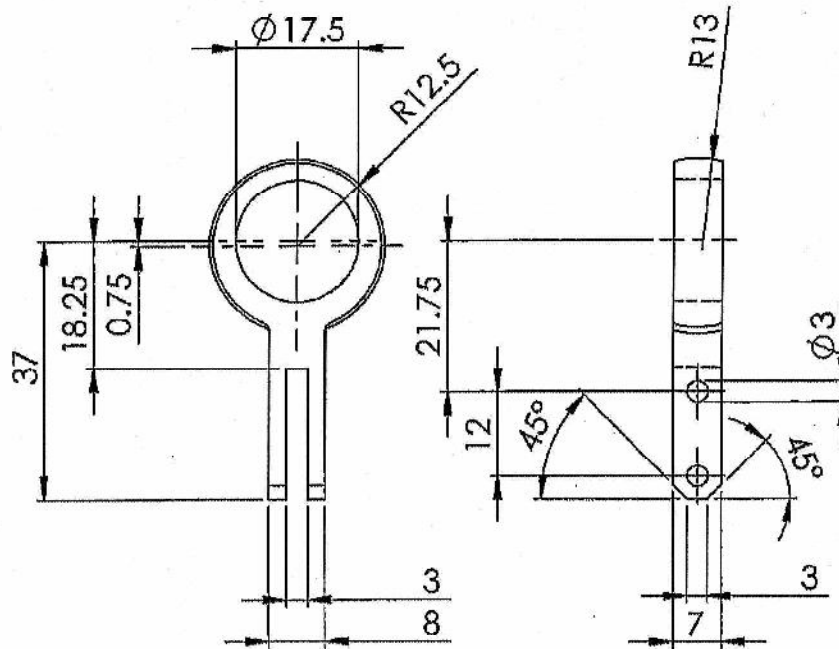
01.04.2021

Design & Drawing Office
Ordnance Factory,
Tiruchirappalli-620016

DIMENSIONS ARE IN mm.
UNTOLERATED DIMENSIONS AS PER IS:2102(MED)

PROTECTIVE FINISH :- PHOSPATED TO SPEC:
JSS:0465-01-1988 CLASS-I (ACCELERATED) OIL FINISH.

UN CONTROLLED COPY



MATERIAL:-

- BS 970 PT. 1 1983 GR. 070 M55 OR EN9
- BS 970 PT. 1 1983 GR. 709 M40 OR EN19
- BS 970 PT. 1 1983 GR. 708 M40 OR EN19A
- BS 970 PT. 1 1983 GR. 817 M40 OR EN24

HARDNESS:- 290 To 360 HV

PART NO.	DESCRIPTIONS	NO OFF	MATERIAL	TREATMENT	REMARKS
		01			
	SIGNATURE & DATE.	SUB: CROSS PIECE			SCALE
	TRACED	FOR: BAYONET			NTS
	DRAWN	OF: 7.62mm TAR			STORE DRG.NO.
	CHECKED	DES.REF.NO.			OPERATION NO.
	HOS/D&DO	DRG. No.: TAR-K-9044*			
	OFFICER/PROJECT	ORDNANCE FACTORY TIRUCHIRAPPALLI-16.			SHEETS: 1
	OFFICER/D&DO				SHEET No.: 1
DA No. 30/19	SIG. & DATE	APPROVED ON.			

CERTIFIED CORRECT COPY
OF APPROVED DRAWINGS
AT THIS DATE.....

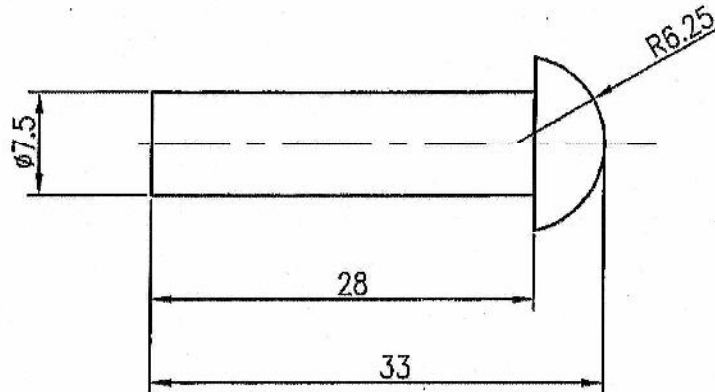
A

[Signature]
01.04.2021
Design & Drawing Office
Ordnance Factory,
Tiruchirappalli-620016

DIMENSIONS ARE IN mm.
UNTOLERATED DIMENSIONS AS PER IS:2102(MED)
PROTECTIVE FINISH :- PHOSPATED TO SPEC:
JSS:0465-01-1988 CLASS-I (ACCELERATED) OIL FINISH.

A

UN CONTROLLED COPY



B

B

C

C

MATERIAL:- IS 226-1975 (OR) IS 2062- 2011
(ANY GRADE E-250,275,300,350,410,450,550,600,650)
IS 2155-1962
(CHEMICAL COMP. MATCH TO IS:7557-1974)

D

D

E

E

F

F

PART NO.	DESCRIPTIONS	NO OFF	MATERIAL	TREATMENT	REMARKS
	SIGNATURE & DATE.	1			SCALE NTS
	TRACED				STORE DRG.NO. K 9045
	DRAWN				OPERATION NO.
	CHECKED				SHEETS: 01
	HOS/D&DO <i>P. Toth</i>				SHEET No.: 01
	OFFICER/PRDN.				
	OFFICER/D&DO <i>C. K. ...</i>				
AMENDMENTS	SIG. & DATE	APPROVED ON.	ORDNANCE FACTORY TIRUCHIRAPPALLI-16.		
		.07.2018			

1

2

3

4

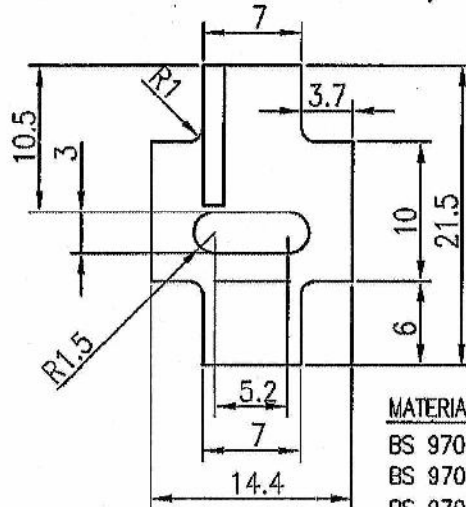
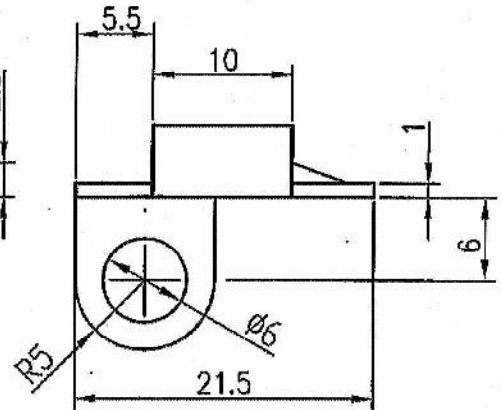
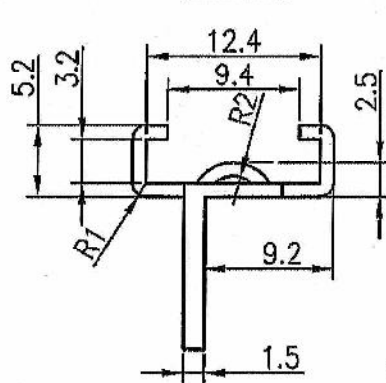
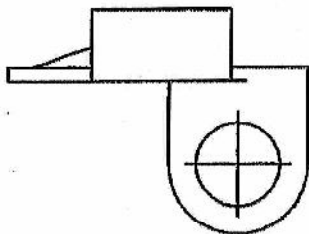
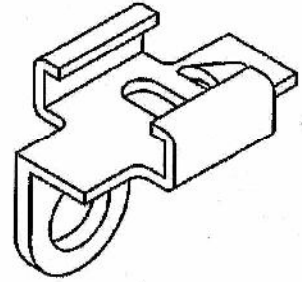
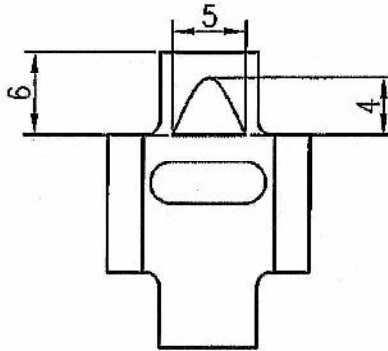
CERTIFIED CORRECT COPY
OF APPROVED DRAWINGS
AT THIS DATE.....

01.04.2021

Design & Drawing Office
Ordnance Factory,
Tiruchirappalli-620012

UN CONTROLLED COPY

DIMENSIONS ARE IN mm.
UNTOLERATED DIMENSIONS AS PER IS:2102(MED)
PROTECTIVE FINISH :- PHOSPATED TO SPEC:
JSS:0465-01-1988 CLASS-I (ACCELERATED) OIL FINISH.



HARDNESS :- 290-360 HV

MATERIAL:-

- BS 970 PT.1 1983 GR. 070 M55 (OR) En 9
- BS 970 PT.1 1983 GR. 709 M40 (OR) En 19
- BS 970 PT.1 1983 GR. 708 M40 (OR) En 19A
- BS 970 PT.1 1983 GR. 817 M40 (OR) En 24

PART NO.	DESCRIPTIONS	NO OFF	MATERIAL	TREATMENT	REMARKS
	SIGNATURE & DATE.	1			SCALE NTS
	TRACED				STORE DRG.NO. K 9046
	DRAWN				OPERATION NO.
	CHECKED				SHEETS: 01
	HOS/D&DO				SHEET No.: 01
	OFFICER/PRD.M.				
	OFFICER/D&DO				
AMENDMENTS	SIG. & DATE	APPROVED ON.			



ORDNANCE FACTORY
TIRUCHIRAPPALLI-16.

SUB: INSERT BAYONET

FOR: BAYONET ASSY.

OF: TRICHY ASSAULT RIFLE

DES.REF.NO.

DRG. No.: TAR-K-9046

SHEETS: 01

SHEET No.: 01

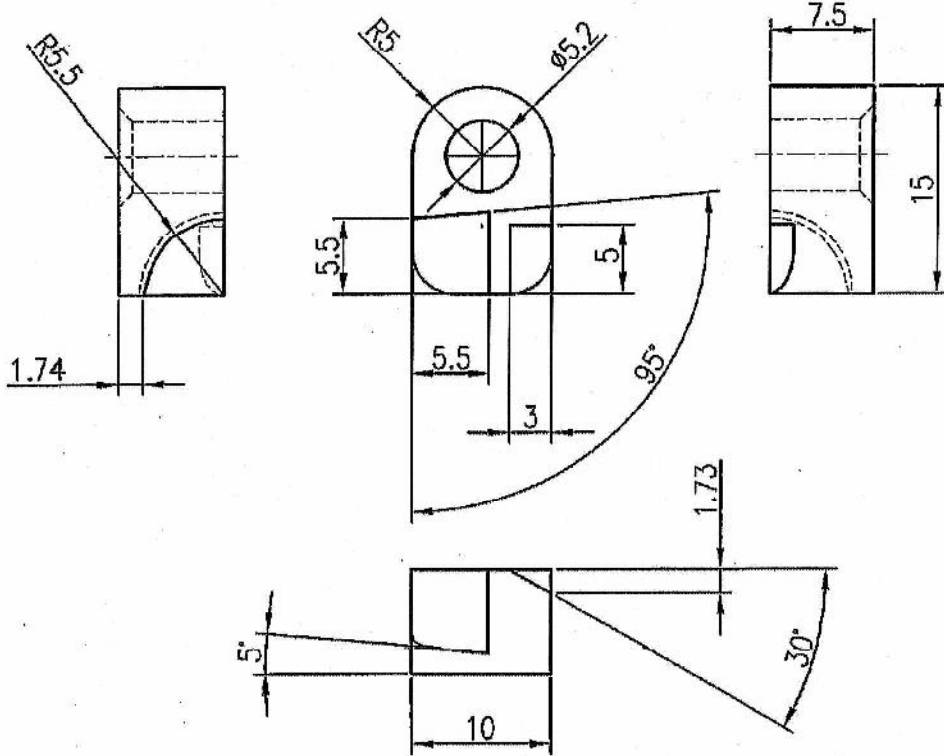
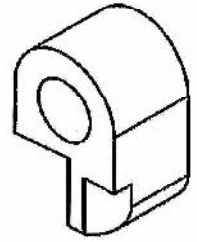
APPROVED ON. .07.2018

CERTIFIED CORRECT COPY
OF APPROVED DRAWINGS
AT THIS DATE.....

[Signature]
01.04.2021
Design & Drawing Office
Ordnance Factory,
Tiruchirappalli-620016

DIMENSIONS ARE IN mm.
UNTOLERATED DIMNS. AS PER IS : 2102 (MED)
PROTECTIVE FINISH :- PHOSPATED TO SPEC:
JSS:0465-01-1988 CLASS-I (ACCELERATED) OIL FINISH.

UN CONTROLLED COPY



HARDNESS :- 290-360 HV

MATERIAL:-

- BS 970 PT.1 1983 GR. 070 M55 (OR) En 9
- BS 970 PT.1 1983 GR. 709 M40 (OR) En 19
- BS 970 PT.1 1983 GR. 708 M40 (OR) En 19A
- BS 970 PT.1 1983 GR. 817 M40 (OR) En 24

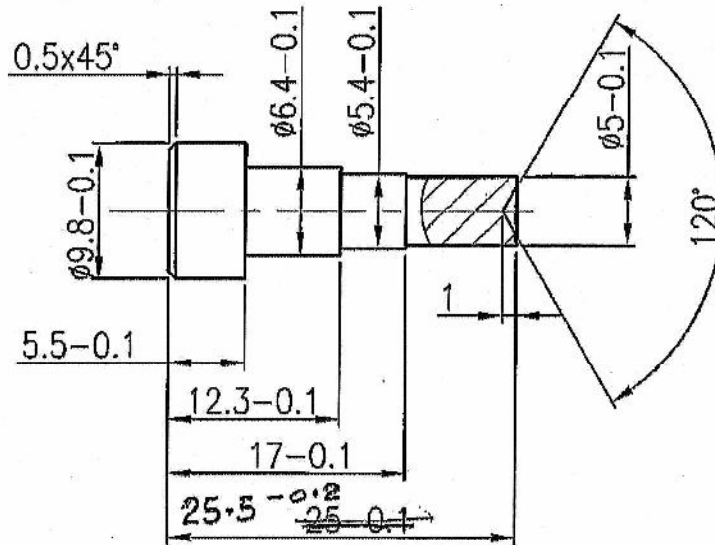
1		1		HRD&GRD	26-32 HRC
PART NO.	DESCRIPTIONS	NO OFF	MATERIAL	TREATMENT	REMARKS
	SIGNATURE & DATE.	SUB: CATCH FOR: BAYONET ASSY. OF: TRICHY ASSAULT RIFLE			SCALE NTS
TRACED		DES. REF. NO.			STORE DRG. NO. K 9047
DRAWN		DRG. No.: TAR-K-9047			OPERATION NO.
CHECKED		ORDNANCE FACTORY TIRUCHIRAPPALLI-16.			SHEETS: 01
HOS/D&DO <i>P. Toth</i>					SHEET No.: 01
OFFICER/PRODN.		APPROVED ON. .07.2018			
OFFICER/D&DO <i>de-K</i>					
AMENDMENTS	SIG. & DATE				

CERTIFIED CORRECT COPY
OF APPROVED DRAWINGS
AT THIS DATE.....

[Signature]
01.04.2021
Design & Drawing Office
Ordnance Factory,
Tiruchirappalli-620016

UN CONTROLLED COPY

DIMENSIONS ARE IN mm.
UNTOLERATED DIMNS. AS PER IS : 2102 (MED)
PROTECTIVE FINISH :- PHOSPATED TO SPEC:
JSS:0465-01-1988 CLASS-I (ACCELERATED) OIL FINISH.



HARDNESS :- 275-350 HV

MATERIAL:-
BS 970 PT.1 1983 GR. 070 M55 (OR) En 9
BS 970 PT.1 1983 GR. 080 M40 (OR) En 8

1	1	HRD&GRD	26-32 HRC
PART NO.	DESCRIPTIONS	NO OFF	MATERIAL
	SIGNATURE & DATE.	SUB: PLUNGER	
	TRACED	FOR: BAYONET ASSY.	
	DRAWN	OF: TRICHY ASSAULT RIFLE	
	CHECKED	DES.REF.NO.	
	HOS/D&DO <i>P. J. J.</i>	DRG. No.: TAR-K-9048*	
	OFFICER/PRODN.	ORDNANCE FACTORY TIRUCHIRAPPALLI-16.	
	OFFICER/D&DO <i>gc. K</i>		
DA.No. 32/19	SIG. & DATE	APPROVED ON.	.07.2018
AMENDMENTS			

DA.No. 32/19

06.08.19

SIG. & DATE

APPROVED ON. .07.2018



ORDNANCE FACTORY
TIRUCHIRAPPALLI-16.

SHEETS: 01

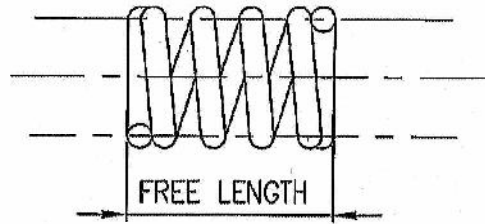
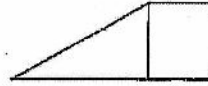
SHEET No.: 01

CERTIFIED CORRECT COPY
OF APPROVED DRAWINGS
AT THIS DATE.....

[Signature]
01.04.2021
Design & Drawing Office
Ordnance Factory,
Tiruchirappalli-620016

UN CONTROLLED COPY

DIMENSIONS ARE IN mm.
UNTOLERATED DIMNS. AS PER IS : 2102 (MED)
PROTECTIVE FINISH :- PHOSPATED TO SPEC:
JSS:0465-01-1988 CLASS-I (ACCELERATED) OIL FINISH.



FREE LENGTH :- 15.5
WIRE DIA :- 0.95
MEAN DIA :- 7.9
No. OF EFFECTIVE COILS:-5
WOUND :- LH OR RH

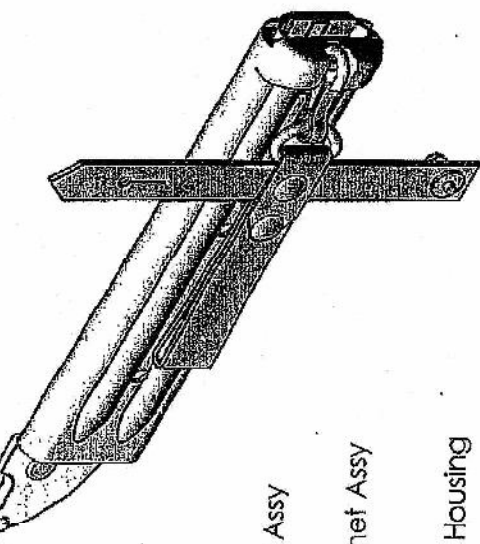
CRAMP TEST: SPRING TO BE
CRAMPED BEFORE GUAGING BY
COMPRESSION TO SOLID LENGTH
FOR A PERIOD OF 24 Hrs. AFTER
WHICH IT MUST CONFORM TO
THE FREE LENGTH SHOWN.

ONE COIL OF EACH END TO BE CLOSED IN

MATERIAL:-

IS 4454 PT.1 2001 GR. DH
BS 5216-1975 GR.5 CODE "M"

1	1	HRD&GRD	26-32 HRC
PART NO.	DESCRIPTIONS	NO OFF	MATERIAL
	SIGNATURE & DATE.	SUB: SPRING CATCH	
	TRACED	FOR: BAYONET ASSY.	
	DRAWN	OF: TRICHY ASSAULT RIFLE	
	CHECKED	DES.REF.NO.	
	HOS/D&DO <i>P. Toza</i>	DRG. No.: TAR-K-9049	
	OFFICER/PRODN.	ORDNANCE FACTORY TIRUCHIRAPPALLI-16.	
OFFICER/D&DO <i>G. K...</i>	APPROVED ON. .07.2018	REMARKS	
AMENDMENTS	SIG. & DATE	SCALE NTS	
		STORE DRG.NO. K 9049	
		OPERATION NO.	
		SHEETS: 01	
		SHEET No.: 01	



* K-9050 Scabbard Assy

* K-9060 Sling Bayonet Assy

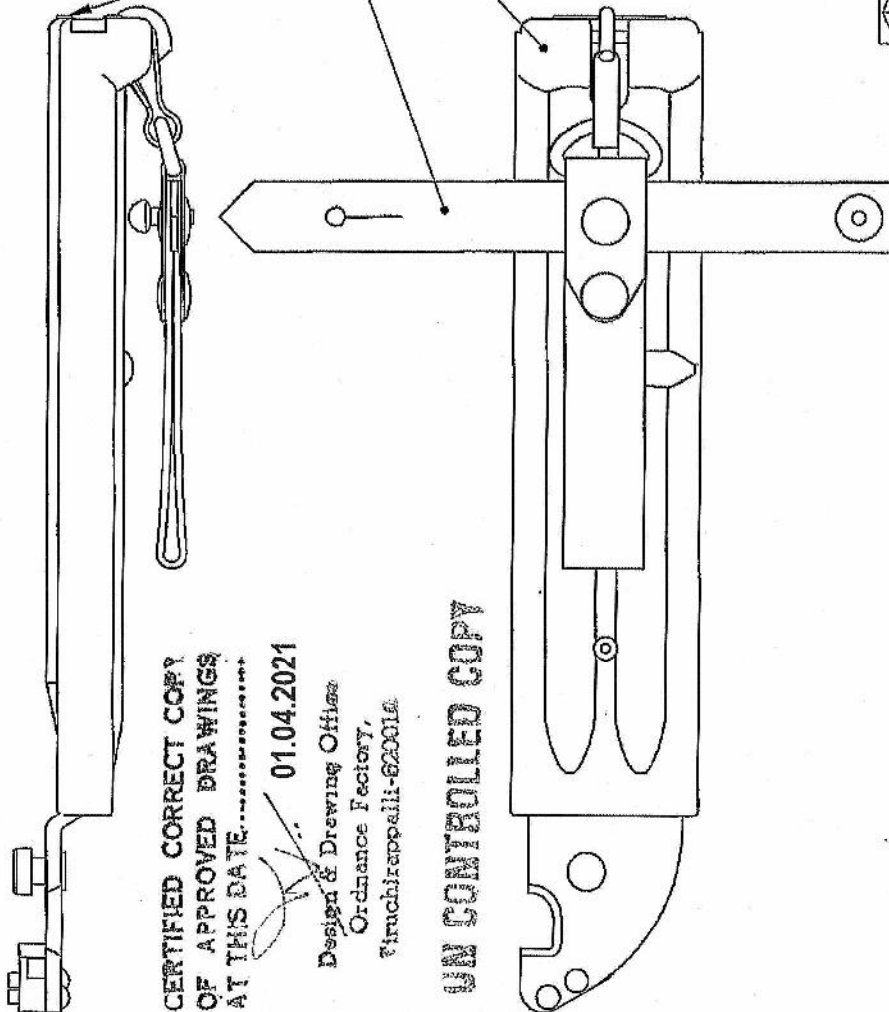
* K-9051 Scabbard Housing

**CERTIFIED CORRECT COPY
OF APPROVED DRAWINGS
AT THIS DATE.....**

01.04.2021

Design & Drawing Office
Ordnance Factory,
Tiruchirappalli-620016.

UN CONTROLLED COPY



3	K-9060 *Sling Bayonet Assy	1
2	K-9059 Spring Leaf Grip	1
1	K-9051 *Scabbard Housing	1
ITEM NO.	PART NUMBER	QTY.

24-10-31/19
31/19
06-6-19
SIG.
AMENDMENTS & DATE

TRACED DRAWN CHECKED OIC/D&DC OFFICER/PRDN. DIV. OFFICER/D&DO	SIGNATURE & DATE.	SUB: Scabbard Assy FOR: Bayonet For TAR 7.62mm OF: Trichy Assault Rifle DES. REF. NO. DRG. No.: TAR-K-9050 *	SCALE NTS
	<i>P. Y. G. R.</i>		Weight(g)
APPROVED ON. 18/09/2018 		ORDNANCE FACTORY TIRUCHIRAPPALLI-16.	SHEETS: 1 SHEET No.: 1

6 1 5

5

4

3

2

1

6

5

4

3

2

1

D

C

B

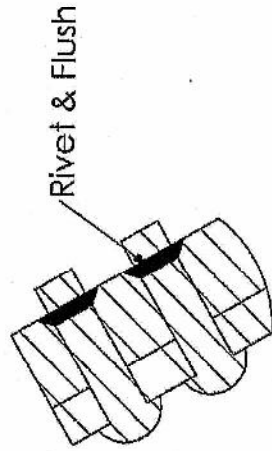
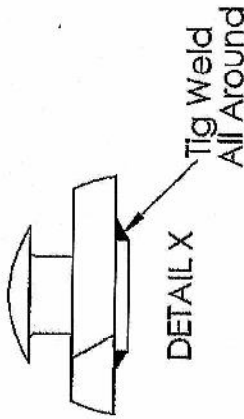
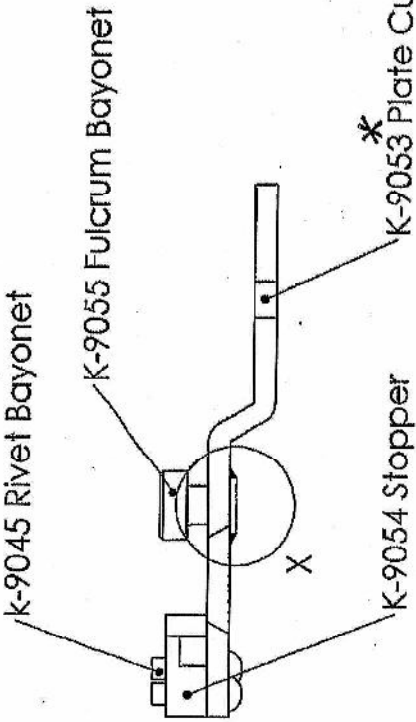
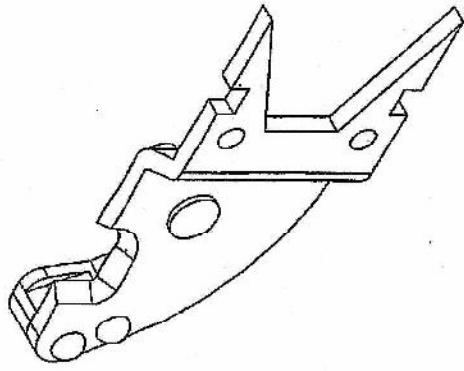
A

D

C

B

A



CERTIFIED CORRECT COPY
OF APPROVED DRAWINGS
AT THIS DATE

01.04.2021

Desig & Drawing Office
Ordnance Factory,
Tiruchirappalli-620016

UN CONTROLLED COPY

ITEM NO.	4	k-9045 Rivet Bayonet	2	AMENDMENTS & DATE	SIGNATURE & DATE	SUB: Cutter Assy	SCALE NTS
	3	K-9055*Fulcrum Bayonet	1				
	2	K-9054*Stopper	1				
	1	K-9053*Plate Cutter	1				
PART NUMBER		QTY.	APPROVED ON: 18/09/2018		DES. REF. NO.	FOR: Housing Scabbard Assy	OPG
6		1	5	DIV. OFFICER/ D&DO		OF: Trichy Assault Rifle	1
1		1	3	OIC/D&DO		DRG. No.: TAR-K-9052 *	Weight(g)
1		1	2	OFFICER/ PRODN.		1	
1		1	1	DIV. OFFICER/ D&DO		SHEETS: 1	
1		1	1	APPROVED ON: 18/09/2018		SHEET No.: 1	
1		1	1	ORDNANCE FACTORY TIRUCHIRAPPALLI-16.		1	

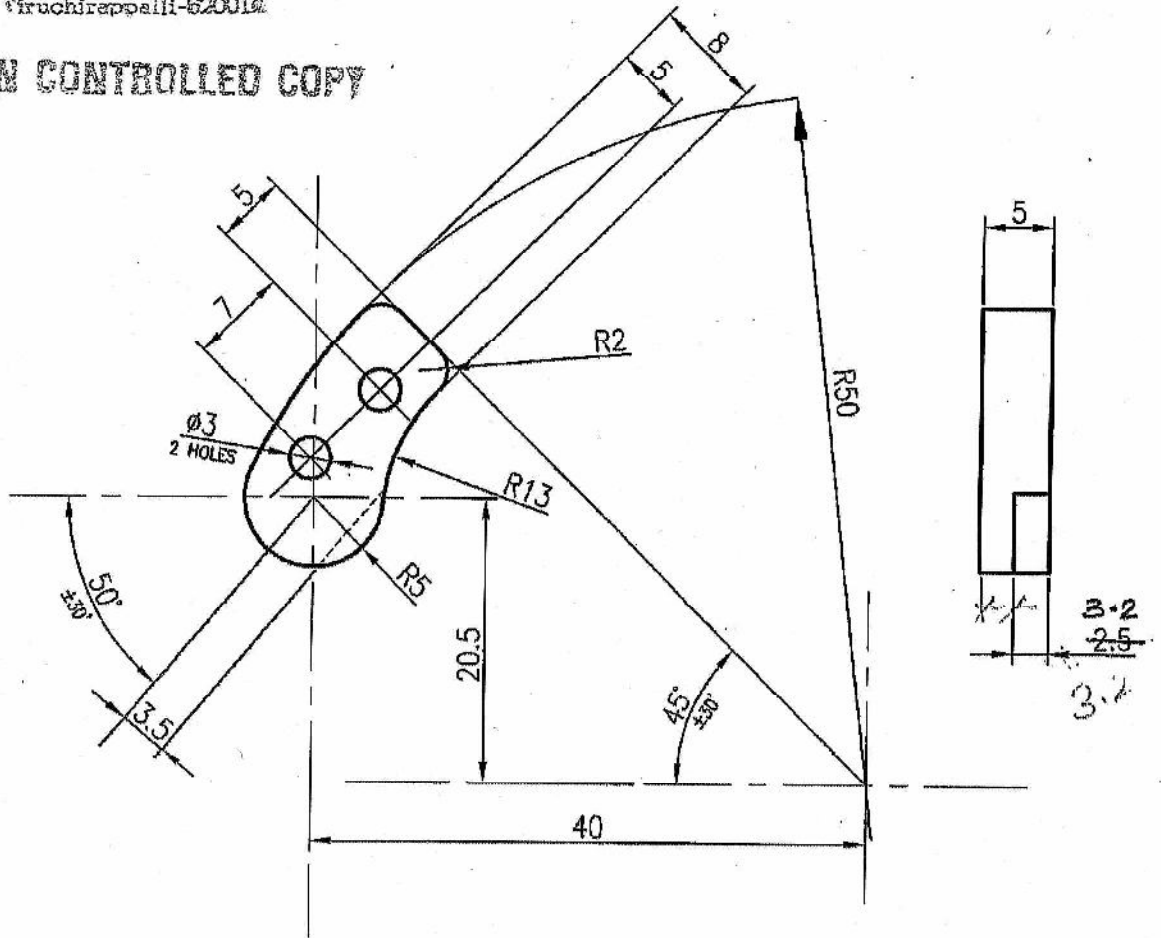


CERTIFIED CORRECT COPY
OF APPROVED DRAWINGS
AT THIS DATE.....

[Signature]
01.04.2021
Design & Drawing Office
Ordnance Factory,
Tiruchirappalli-620016

DIMENSIONS ARE IN mm.
UNTOLERATED DIMNS. AS PER IS : 2102 (MED)
PROTECTIVE FINISH :- PHOSPATED TO SPEC:
JSS:0465-01-1988 CLASS-I (ACCELERATED) OIL FINISH.

UN CONTROLLED COPY



HARDNESS :- 460-540 HV

MATERIAL:- IS : 1570 PT.2:1978 80 C6
BS : BS 970 PT.5:1972 Gr.070 A72
(OR) (En42,42B,42C,42D)

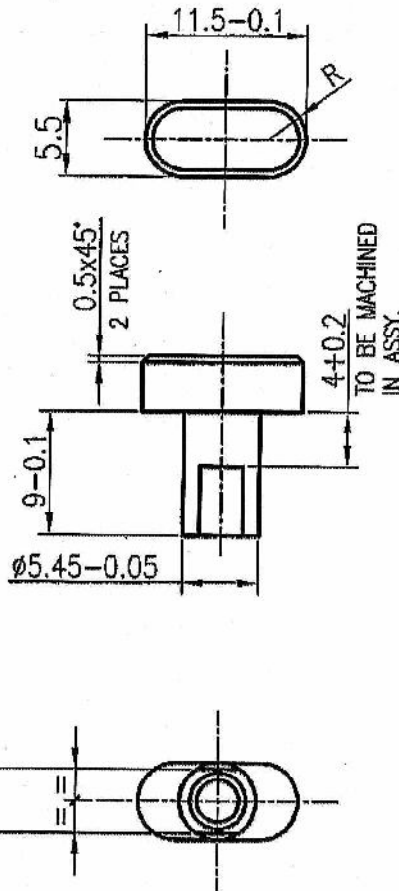
1		1		HRD	325-375 HV
PART NO.	DESCRIPTIONS	NO OFF	MATERIAL	TREATMENT	REMARKS
	SIGNATURE & DATE.	SUB: STOPPER			SCALE NTS
TRACED		FOR: BAYONET ASSY.			STORE DRG.NO. K 9054
DRAWN		OF: TRICHY ASSAULT RIFLE			OPERATION NO.
CHECKED		DES.REF.NO.			
HOS/D&DO	<i>P. Taylor</i>	DRG. No.: TARK-9054*			
OFFICER/PRD.N.		ORDNANCE FACTORY TIRUCHIRAPPALLI-16.			SHEETS: 01
OFFICER/D&DO	<i>Se. Kumar</i>				SHEET No.: 01
DA.No. 32/19	06.05.19	APPROVED ON.	.07.2018		
AMENDMENTS	SIG. & DATE				

CERTIFIED CORRECT COPY
OF APPROVED DRAWINGS
AT THIS DATE.....

[Signature]
01.04.2021
Design & Drawing Officer
Ordnance Factory,
Tiruchirappalli-620016

UN CONTROLLED COPY

DIMENSIONS ARE IN mm.
UNTOLERATED DIMNS. AS PER IS : 2102 (MED)
PROTECTIVE FINISH :- PHOSPATED TO SPEC:
JSS:0465-01-1988 CLASS-I (ACCELERATED) OIL FINISH.



MATL.:- BS 970 PT.1 1983 GR. 709 M40 (OR) En 19
BS 970 PT.1 1983 GR. 708 M40 (OR) En 19A

HARDNESS :- 320-380 HV

1	1	HRD&GRD	
PART NO.	DESCRIPTIONS	NO OFF	MATERIAL
⊕	SIGNATURE & DATE.	SUB: FULCRUM BAYONET	
TRACED		FOR: BAYONET ASSY.	
DRAWN		OF: TRICHY ASSAULT RIFLE	
CHECKED		DES.REF.NO.	
HOS/D&DO	<i>P. Tator</i>	DRG. No.: TAR-K-9055*	
OFFICER/PRDND.		ORDNANCE FACTORY TIRUCHIRAPPALLI-16.	
OFFICER/D&DO	<i>G.K. Kumar</i>	SHEETS: 01	
AMENDMENTS	SIG. & DATE	SHEET No.: 01	
	APPROVED ON. .07.2018		

DA-NO. 32/19

G.K.
06.8.19

SIG. & DATE

APPROVED ON. .07.2018



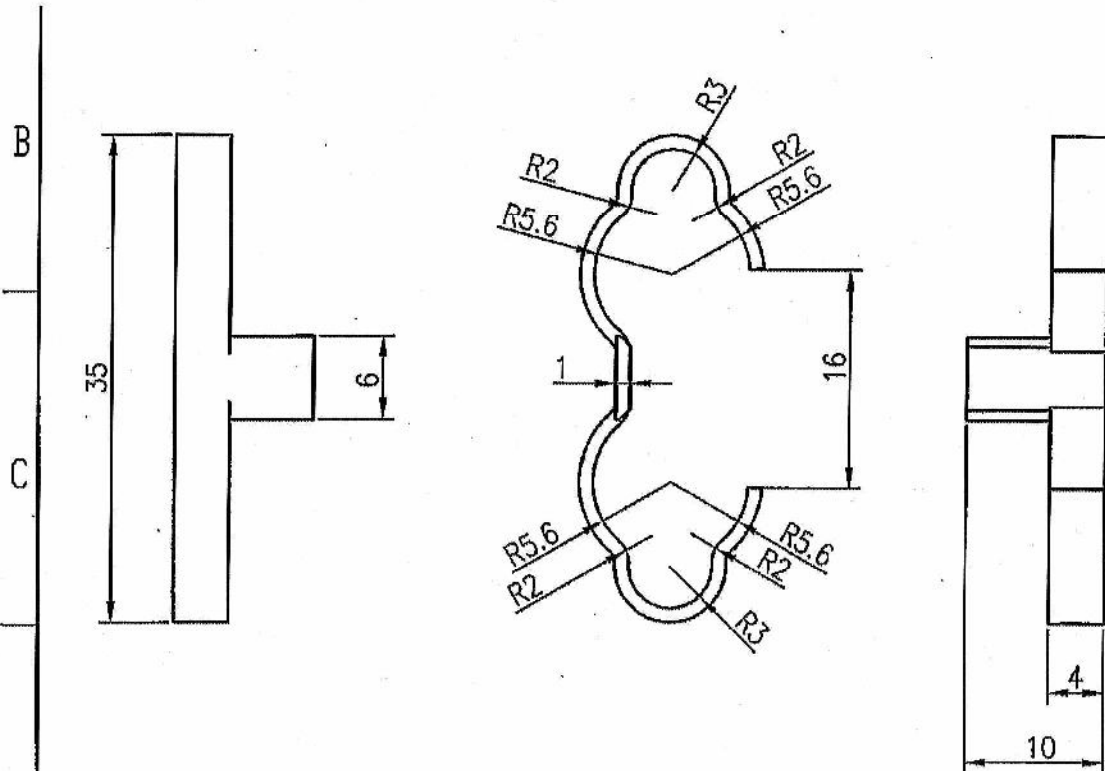
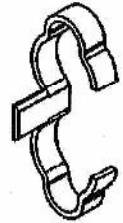
CERTIFIED CORRECT COPY
OF APPROVED DRAWINGS
AT THIS DATE.....

[Signature]
01.04.2021
Design & Drawing Office
Ordnance Factory,
Tiruchirappalli-620016

DIMENSIONS ARE IN mm.
UNTOLERATED DIMENSIONS AS PER IS:2102(MED)

PROTECTIVE FINISH :- PHOSPATED TO SPEC:
JSS:0465-01-1988 CLASS-I (ACCELERATED) OIL FINISH.

UN CONTROLLED COPY



MATERIAL:- BS 1449 Pt.1:1983 Gr. CS40
BS 1449 Pt.1:1983 Gr. CS50
IS 2507-1975 Gr.1 DESIGN 45C8

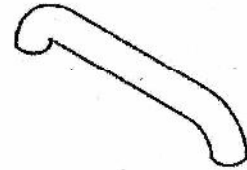
PART NO.	DESCRIPTIONS	NO OFF	MATERIAL	TREATMENT	REMARKS
		1			
	SIGNATURE & DATE.	SUB: INSERT (SCABBARD)			SCALE NTS
	TRACED	FOR: BAYONET ASSY.			STORE DRG.NO. K 9057
	DRAWN	OF: TRICHY ASSAULT RIFLE			OPERATION NO.
	CHECKED	DES.REF.NO.			
	HOS/D&DO <i>[Signature]</i>	DRG. No.: TAR-K-9057			
	OFFICER/PRDN.	ORDNANCE FACTORY TIRUCHIRAPPALLI-16.			SHEETS: 01
	OFFICER/D&DO <i>[Signature]</i>				SHEET No.: 01
AMENDMENTS	SIG. & DATE	APPROVED ON. .07.2018			

DIMENSIONS ARE IN mm.
 UNTOLERATED DIMENSIONS AS PER IS:2102(MED)
 PROTECTIVE FINISH :- PHOSPATED TO SPEC:
 JSS:0465-01-1988 CLASS-I (ACCELERATED) OIL FINISH.

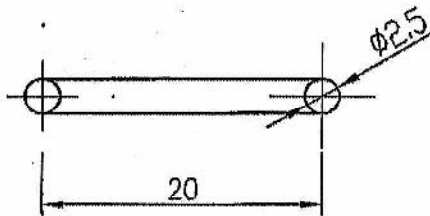
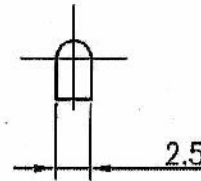
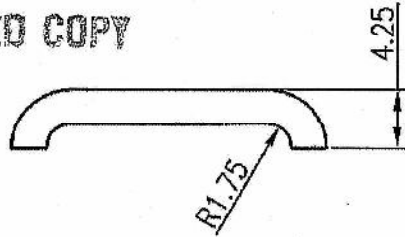
CERTIFIED CORRECT COPY
 OF APPROVED DRAWINGS
 AT THIS DATE.....

01.04.2021

Design & Drawing Office
 Ordnance Factory,
 Tiruchirappalli-620016



UN CONTROLLED COPY



MATERIAL:-
 IS 4454 PT.1 2001 GR. DH
 BS 5216-1975 GR.5 CODE "M"

PART NO.	DESCRIPTIONS	NO OFF	MATERIAL	TREATMENT	REMARKS
	SIGNATURE & DATE.	1			SCALE NTS
	TRACED		SUB: HOOK WIRE (SCABBARD)		
	DRAWN		FOR: BAYONET ASSY.		STORE DRG.NO. K 9058
	CHECKED		OF: TRICHY ASSAULT RIFLE		OPERATION NO.
	HOS/D&DO		DES.REF.NO.		
	OFFICER/PRODN.		DRG. No.: TAR-K-9058		
	OFFICER/D&DO		ORDNANCE FACTORY TIRUCHIRAPPALLI-16.		SHEETS: 01
AMENDMENTS	SIG. DATE	APPROVED ON.			SHEET No.: 01
		.07.2018			



CERTIFIED CORRECT COPY
OF APPROVED DRAWINGS
AT THIS DATE.....

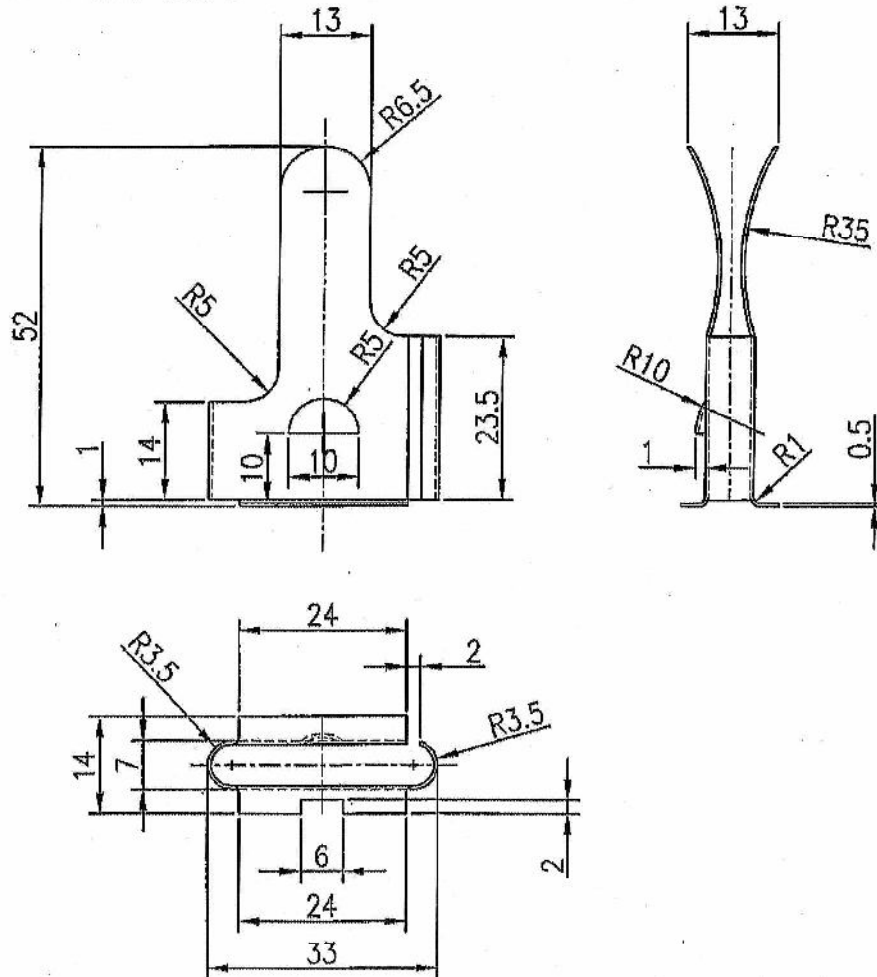
[Signature]
01.04.2021
Design & Drawing Office
Ordnance Factory,
Tiruchirappalli-620016

DIMENSIONS ARE IN mm.

UNTOLERATED DIMNS. AS PER IS : 2102 (MED)

PROTECTIVE FINISH :- PHOSPATED TO SPEC:
JSS:0465-01-1988 CLASS-I (ACCELERATED) OIL FINISH.

UN CONTROLLED COPY



HARDNESS :- 390-460 HV

MATERIAL:-

IS: 2507-1975 Gr.6 DESIGN 80C6 (OR) En42J

IS: 1570 (Part-II)-1979 DESIGN 80C6

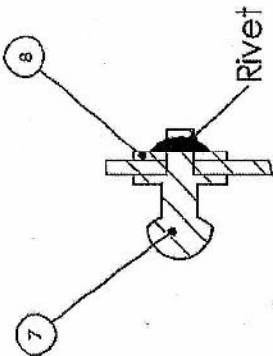
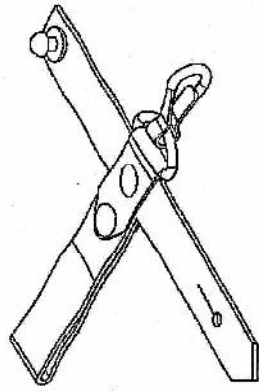
1		1		X	X
PART NO.	DESCRIPTIONS	NO OFF	MATERIAL	TREATMENT	REMARKS
	SIGNATURE & DATE.	SUB: SPRING LEAF GRIP			SCALE
	TRACED	FOR: BAYONET ASSY.			NTS
	DRAWN	OF: TRICHY ASSAULT RIFLE			STORE DRG.NO.
	CHECKED	DES.REF.NO.			K 9059
	HOS/D&DO <i>P. Forth</i>	DRG. No.: TAR-K-9059			OPERATION NO.
OFFICER/PRODN.	ORDNANCE FACTORY TIRUCHIRAPPALLI-16.			SHEETS: 01	
OFFICER/D&DO <i>S. Kumar</i>				SHEET No.: 01	
AMENDMENTS	SIG. & DATE	APPROVED ON. .07.2018			

CERTIFIED CORRECT COPY
 OF APPROVED DRAWINGS
 AT THIS DATE.....

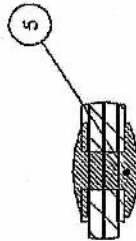
01.04.2021

Design & Drawing Office
 Ordnance Factory,
 Tiruchirappalli-620016

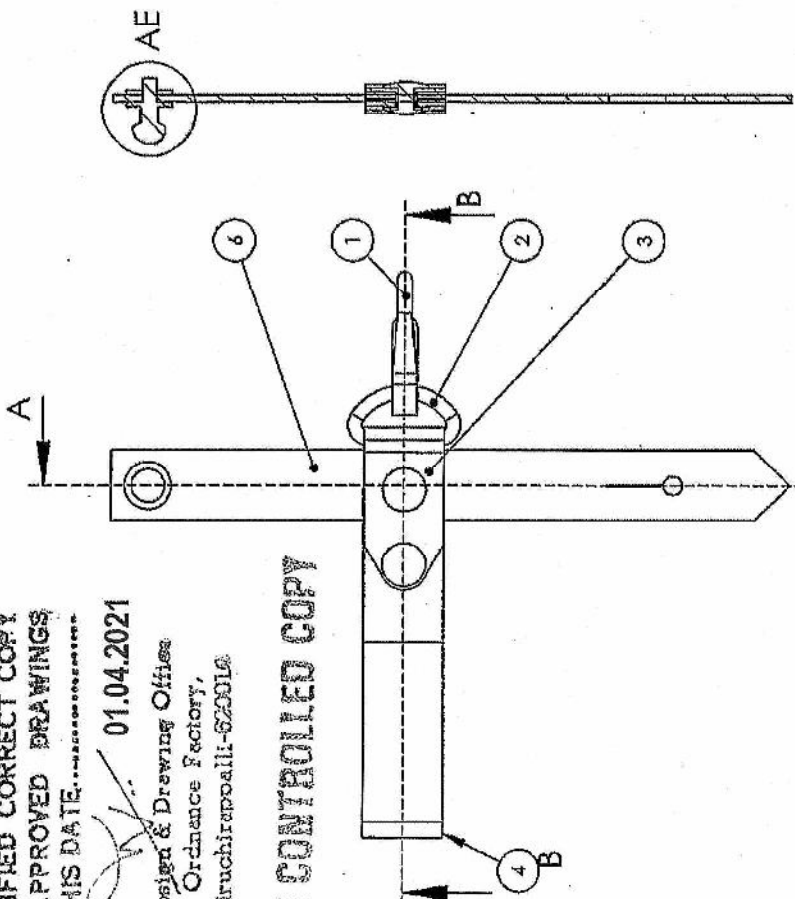
UN CONTROLLED COPY



DETAIL AE



DETAIL AG



SECTION A-A



SECTION B-B

ITEM NO.	PART NUMBER	QTY.
8	K-9068 Washer Button	1
7	K-9067 Button	1
6	K-9066 Strap 15mm	1
5	K-9065 Rivet Strap	2
4	K-9064 Strap 17mm	1
3	K-9063 Plate Folded	1
2	K-9062 Buckle	1
1	K-9061*Spring Hook	1

TRACED DRAWN CHECKED D/C/D&DO OFFICER/PRODN. DIV/OFFICER/D&DO	SIGNATURE & DATE	SCALE
		NTS
SUB: Sling Bayonet Assy		QPG
FOR: Scabbard Assy		1
OF: Trichy Assault Rifle		Weight(g)
DES. REF. NO.		1
DRG. No.: TAR-K-9060*		SHEETS: 1
ORDNANCE FACTORY TIRUCHIRAPPALLI-16.		SHEET No.: 1

DA-119-32/19	SIG. & DATE
06-18-19	
AMENDMENTS	APPROVED ON. 18/09/2018

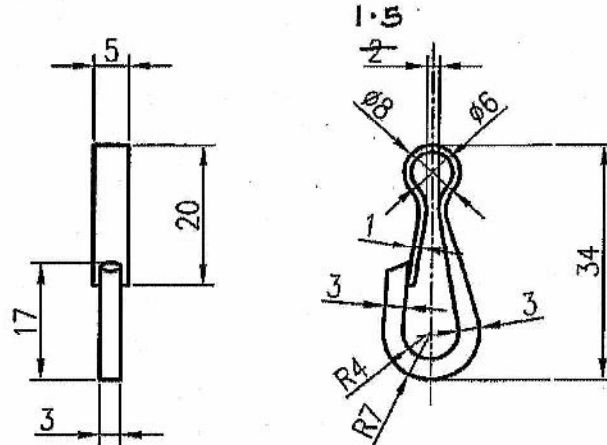
CERTIFIED CORRECT COPY
OF APPROVED DRAWINGS
AT THIS DATE.....

DIMENSIONS ARE IN mm.
UNTOLERATED DIMNS. AS PER IS : 2102 (MED)

[Signature]
01.04.2021
Design & Drawing Office
Ordnance Factory,
Tiruchirappalli-620019

PROTECTIVE FINISH :- PHOSPATED TO SPEC:
JSS:0465-01-1988 CLASS-I (ACCELERATED) OIL FINISH.

UN CONTROLLED COPY




HEAT TREATMENT :

NOTE: SPRING STEEL WIRE TO BE TEMPERED & FLATTENED
(WHEREVER REQUIRED) BEFORE BENDING

MATERIAL:- IS: 4454 Pt.1 2001 Grade-DH

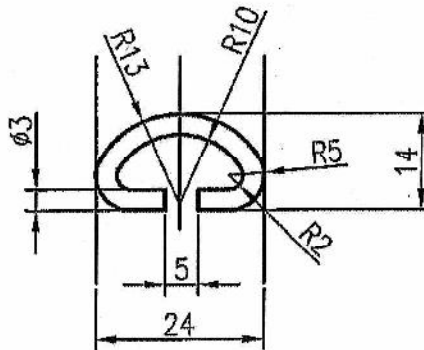
1	1				
PART NO.	DESCRIPTIONS	NO OFF	MATERIAL	TREATMENT	REMARKS
	SIGNATURE & DATE.	SUB: SPRING HOOK (SLING ASSY.)			SCALE NTS
TRACED		FOR: BAYONET ASSY.			STORE DRG.NO. K
DRAWN		OF: TRICHY ASSAULT RIFLE			OPERATION NO.
CHECKED		DES.REF.NO.			
HOS/D&DO	<i>P.Tark</i>	DRG. No.: TAR-K-9061*			
OFFICER/PRODN.		ORDNANCE FACTORY TIRUCHIRAPPALLI-16.			SHEETS: 01
OFFICER/D&DO	<i>[Signature]</i>				SHEET No.: 01
AMENDMENTS	DA No. 32/19 06.08.19 SIG. & DATE	APPROVED ON.	.07.2018		

CERTIFIED CORRECT COPY
OF APPROVED DRAWINGS
AT THIS DATE.....

 01.04.2021
Design & Drawing Office
Ordnance Factory,
Tiruchirappalli-620016

DIMENSIONS ARE IN mm.
UNTOLERATED DIMNS. AS PER IS : 2102 (MED)
PROTECTIVE FINISH :- PHOSPATED TO SPEC:
JSS:0465-01-1988 CLASS-I (ACCELERATED) OIL FINISH.

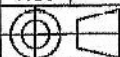

UN CONTROLLED COPY



HEAT TREATMENT :

NOTE: SPRING STEEL WIRE TO BE TEMPERED BEFORE BENDING

MATERIAL:- IS: 4454 Pt.1 2001 Grade-DH

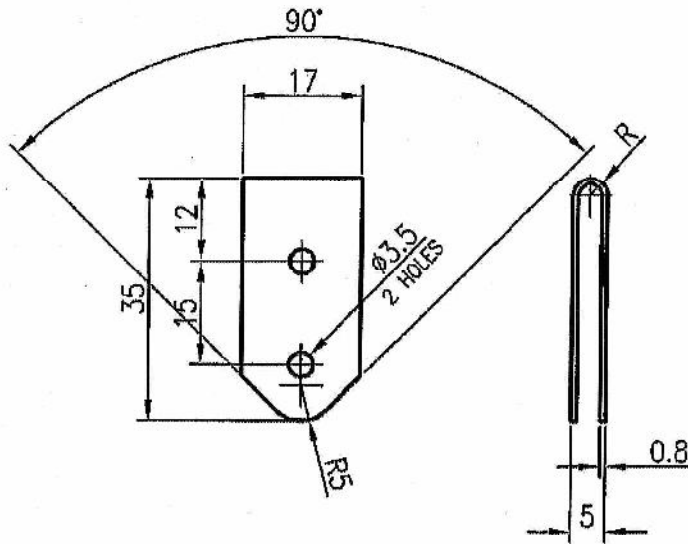
1	1				
PART NO.	DESCRIPTIONS	NO OFF	MATERIAL	TREATMENT	REMARKS
	SIGNATURE & DATE.	SUB: BUCKLE (SLING ASSY.)		SCALE NTS	
TRACED		FOR: BAYONET ASSY.		STORE DRG.NO. K	
DRAWN		OF: TRICHY ASSAULT RIFLE		OPERATION NO.	
CHECKED		DES.REF.NO.		SHEETS: 01	
HOS/D&DO	<i>P. Laksh</i>	DRG. No.: TAR-K-9062		SHEET No.: 01	
OFFICER/PRODN.		 ORDNANCE FACTORY TIRUCHIRAPPALLI-16.			
OFFICER/D&DO	<i>K. Kumar</i>				
AMENDMENTS	SIG. & DATE	APPROVED ON.	.07.2018		

CERTIFIED CORRECT COPY
OF APPROVED DRAWINGS
AT THIS DATE.....

[Signature]
01.04.2021
Design & Drawing Office
Ordnance Factory,
Tiruchirappalli-620016

DIMENSIONS ARE IN mm.
UNTOLERATED DIMNS. AS PER IS : 2102 (MED)
PROTECTIVE FINISH :- PHOSPATED TO SPEC:
JSS:0465-01-1988 CLASS-I (ACCELERATED) OIL FINISH.

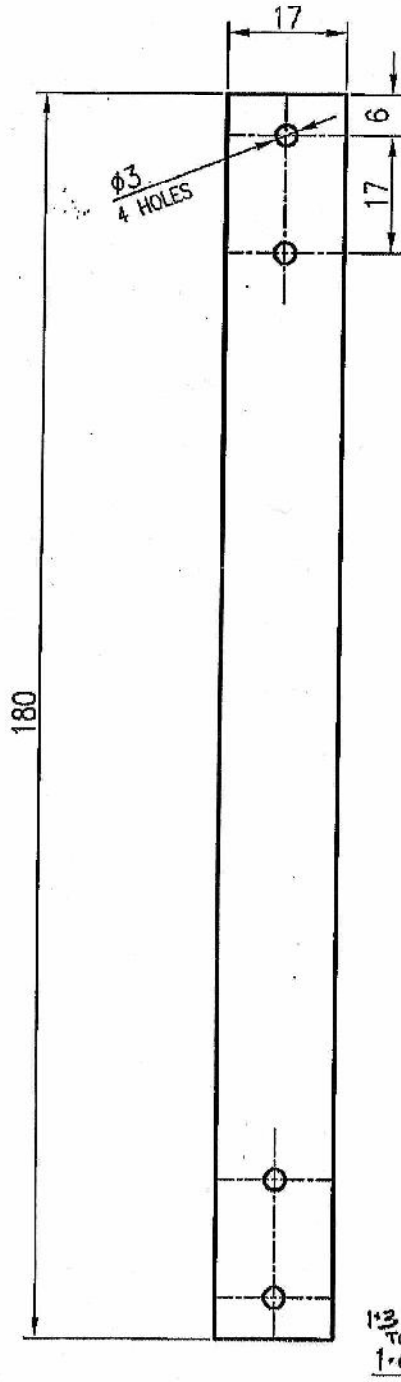
UN CONTROLLED COPY



MATERIAL:- BS 1449 Pt.1:1983 Gr. CS3
BS 1449 Pt.1:1983 Gr. CS4
IS 513 : 2008 Gr. CR1
IS 513 : 2008 Gr. CR2

1	1	1	1	1	1
PART NO.	DESCRIPTIONS	NO OFF	MATERIAL	TREATMENT	REMARKS
	SIGNATURE & DATE.	SUB: PLATE FOLDED (SLING ASSY.)			SCALE NTS
	TRACED	FOR: BAYONET ASSY.			STORE DRG.NO.
	DRAWN	OF: TRICHY ASSAULT RIFLE			K
	CHECKED	DES.REF.NO.			OPERATION NO.
	HOS/D&DO <i>P. Jagan</i>	DRG. No.: TAR-R-9063			SHEETS: 01
	OFFICER/PRODN.	ORDNANCE FACTORY TIRUCHIRAPPALLI-16.			SHEET No.: 01
OFFICER/D&DO <i>Se Kumar</i>	APPROVED ON. .07.2018				
AMENDMENTS	SIG. & DATE				

DIMENSIONS ARE IN mm.
 UNTOLERATED DIMNS. AS PER IS : 2102 (MED)




CERTIFIED CORRECT COPY
 OF APPROVED DRAWINGS
 AT THIS DATE.....

[Signature] 01.04.2021
 Design & Drawing Office
 Ordnance Factory,
 Tiruchirappalli-620016

UN CONTROLLED COPY

MATERIAL:- LEATHER

1	1	1	1	1	1
PART NO.	DESCRIPTIONS	NO OFF	MATERIAL	TREATMENT	REMARKS
	SIGNATURE & DATE.	SUB: STRAP 17mm WIDE			SCALE
	TRACED	FOR: BAYONET ASSY. (SLING ASSY.)			NTS
	DRAWN	OF: TRICHY ASSAULT RIFLE			STORE DRG.NO.
	CHECKED	DES.REF.NO.			K
	HOS/D&DO <i>P. Jeyh</i>	DRG. No.: TAR-K-9064*			OPERATION NO.
	OFFICER/PRODN.	 ORDNANCE FACTORY TIRUCHIRAPPALLI-16.			SHEETS: 01
	OFFICER/D&DO <i>S. Kanna</i>				SHEET No.: 01
* DA.No. 32/19	SIG. & DATE	APPROVED ON. .07.2018			

CERTIFIED CORRECT COPY
OF APPROVED DRAWINGS
AT THIS DATE.....

DIMENSIONS ARE IN mm.
UNCONTROLLED DIMNS. AS PER IS : 2102 (MED)

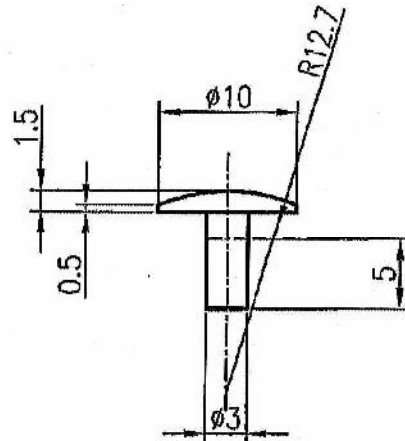
A

[Signature]
01.04.2021
Design & Drawing Office
Ordnance Factory,
Tiruchirappalli-620016

A

UN CONTROLLED COPY

B



B

C

C

D

D

MATERIAL:- BS 970 Pt.1 1983 SEC.3 Gr.070 M20 (En3A,3C)
BS 970 Pt.1 1983 Gr.080 M40 (En8)
IS 7887-1992 Gr. 8 or 9

E

E

F

F

1	2	3	4
PART NO.	DESCRIPTIONS	NO OFF	MATERIAL TREATMENT REMARKS
	SIGNATURE & DATE.	SUB: RIVET STRAP (SLING ASSY.)	
	TRACED	FOR: BAYONET ASSY.	
	DRAWN	OF: TRICHY ASSAULT RIFLE	
	CHECKED	DES.REF.NO.	
	HOS/D&DO <i>P. Jayaram</i>	DRG. No.: TAR-K-9065	
	OFFICER/PRODN.	ORDNANCE FACTORY TIRUCHIRAPPALLI-16.	
OFFICER/D&DO <i>E. K. ...</i>	APPROVED ON. .07.2018		SCALE NTS STORE DRG.NO. K OPERATION NO.
AMENDMENTS	SIG. & DATE	SHEETS: 01 SHEET No.: 01	

1

2

3

4

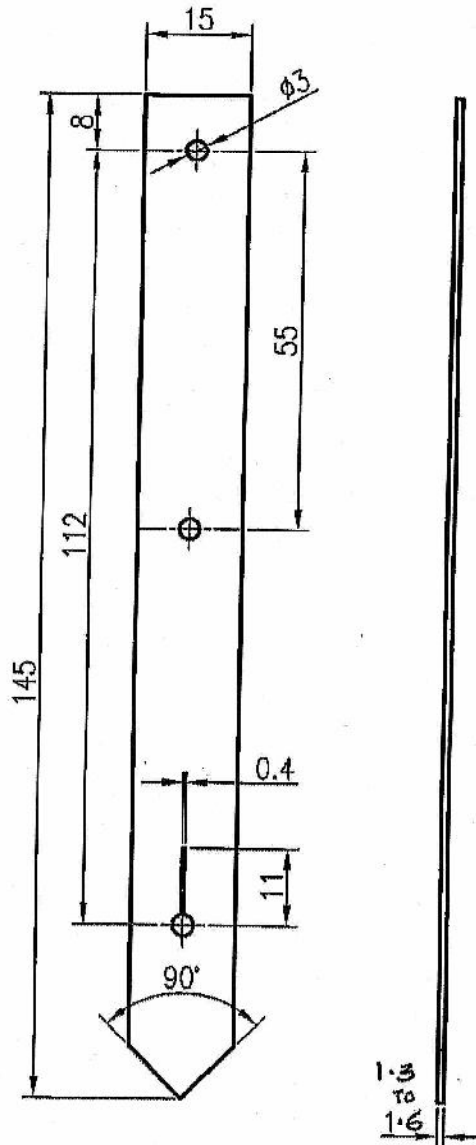
1 | 1
**CERTIFIED CORRECT COPY
 OF APPROVED DRAWINGS
 AT THIS DATE.....**

01.04.2021

Design & Drawing Office
 Ordnance Factory,
 Tiruchirappalli-620016.

UN CONTROLLED COPY

2 | 3 | 4
**DIMENSIONS ARE IN mm.
 UNTOLERATED DIMNS. AS PER IS : 2102 (MED)**



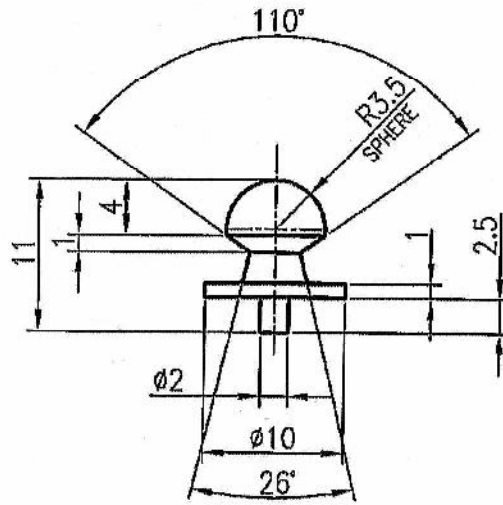
MATERIAL:- LEATHER

1	1	1	1	1	
PART NO.	DESCRIPTIONS	NO OFF	MATERIAL	TREATMENT	REMARKS
⊕	SIGNATURE & DATE.	SUB: STRAP 15mm WIDE FOR: BAYONET ASSY. (SLING ASSY.)			SCALE NTS
TRACED		OF: TRICHY ASSAULT RIFLE			STORE DRG.NO. K
DRAWN		DES.REF.NO.			OPERATION NO.
CHECKED		DRG. No.: TAR-K-9066 *			
HOS/D&DO	<i>P. Jaya</i>	ORDNANCE FACTORY TIRUCHIRAPPALLI-16.			SHEETS: 01
OFFICER/ PRODN.					SHEET No.: 01
OFFICER/ D&DO	<i>C. Kuma</i>	APPROVED ON.	.07.2018		

* DA-NO. 32/19 06.08.19
 AMENDMENTS SIG. & DATE

1 | 2 | 3 | 4

DIMENSIONS ARE IN mm.
 UNTOLERATED DIMNS. AS PER IS : 2102 (MED)




CERTIFIED CORRECT COPY
 OF APPROVED DRAWINGS
 AT THIS DATE.....

01.04.2021

Design & Drawing Office
 Ordnance Factory,
 Tiruchirappalli-620016

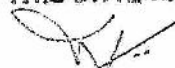
UN CONTROLLED COPY

MATERIAL:- BS 970 Pt.1 1983 SEC.3 Gr.070 M20 (En3A,3C)
 BS 970 Pt.1 1983 Gr.080 M40 (En8)
 IS 7887-1992 Gr. 8 or 9

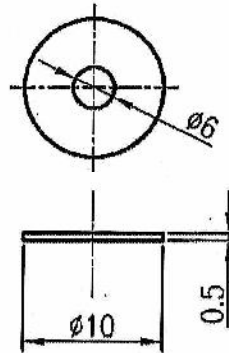
1	1	1	1	1	1
PART NO.	DESCRIPTIONS	NO OFF	MATERIAL	TREATMENT	REMARKS
	SIGNATURE & DATE.	SUB: BUTTON (SLING ASSY.)		SCALE NTS	
	TRACED	FOR: BAYONET ASSY.		STORE DRG.NO. K	
	DRAWN	OF: TRICHY ASSAULT RIFLE		OPERATION NO.	
	CHECKED	DES.REF.NO.		SHEETS: 01	
	HOS/D&DO	DRG. No.: TAR-K-9067		SHEET No.: 01	
	OFFICER/PRODN.	 ORDNANCE FACTORY TIRUCHIRAPPALLI-16.			
	OFFICER/D&DO				
AMENDMENTS	SIG. & DATE	APPROVED ON.	.07.2018		

CERTIFIED CORRECT COPY
OF APPROVED DRAWINGS
AT THIS DATE.....

DIMENSIONS ARE IN mm.
UNTOLERATED DIMNS. AS PER IS : 2102 (MED)

 01.04.2021
Design & Drawing Office
Ordnance Factory,
Tiruchirappalli-620016

UN CONTROLLED COPY



MATERIAL:- BS 1449 Pt.1:1983 Gr. CS50
BS 1449 Pt.1:1983 Gr. CS80
IS 2507-1975 Gr.2 55C6
IS 2507-1975 Gr.6 80C6

1	1					
PART NO.	DESCRIPTIONS	NO OFF	MATERIAL	TREATMENT	REMARKS	
 TRACED DRAWN CHECKED HOS/D&DO <i>P. For</i> OFFICER/PRODN. OFFICER/D&DO <i>C. K.</i>	SIGNATURE & DATE.	SUB: WASHER BUTTON (SLING ASSY.) FOR: BAYONET ASSY. OF: TRICHY ASSAULT RIFLE			SCALE NTS	
	DES. REF. NO.	DRG. No.: TAR-K-9068			STORE DRG. NO. K	
	APPROVED ON. .07.2018	 ORDNANCE FACTORY TIRUCHIRAPPALLI-16.			OPERATION NO.	
	AMENDMENTS	SIG. & DATE				SHEETS: 01
						SHEET No.: 01