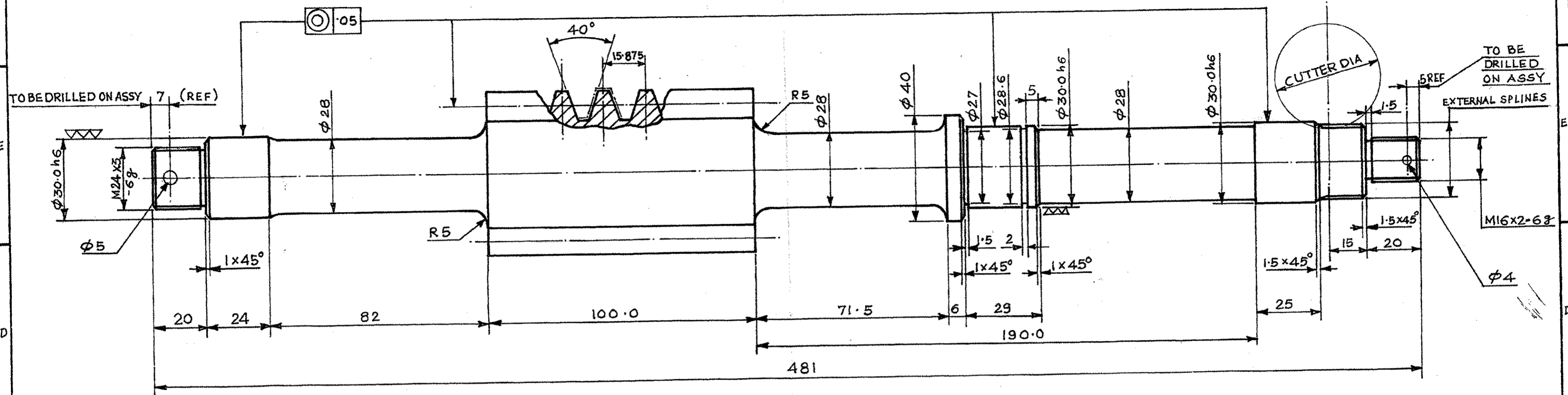


D S CAT
1015-000524

FOR EXPLANATION OF DIMENSIONING ETC. SEE ARDE NOTE SHT. No. 1
DIMENSIONS ARE IN mm UNLESS OTHERWISE STATED.

THREADS CONFORM TO IS : 4218

30.0 ϕ h6 $^{-0.013}$
NOM. SIZE & FIT. DEVIATION



WORM DATA

| | |
|--------------|-------------|
| ADDENDUM | 5.053 |
| DEDENDUM | 5.846 |
| FULL DEPTH | 10.893 |
| OUT SIDE DIA | 60.906 |
| P.C.D. | 50.8 ϕ |

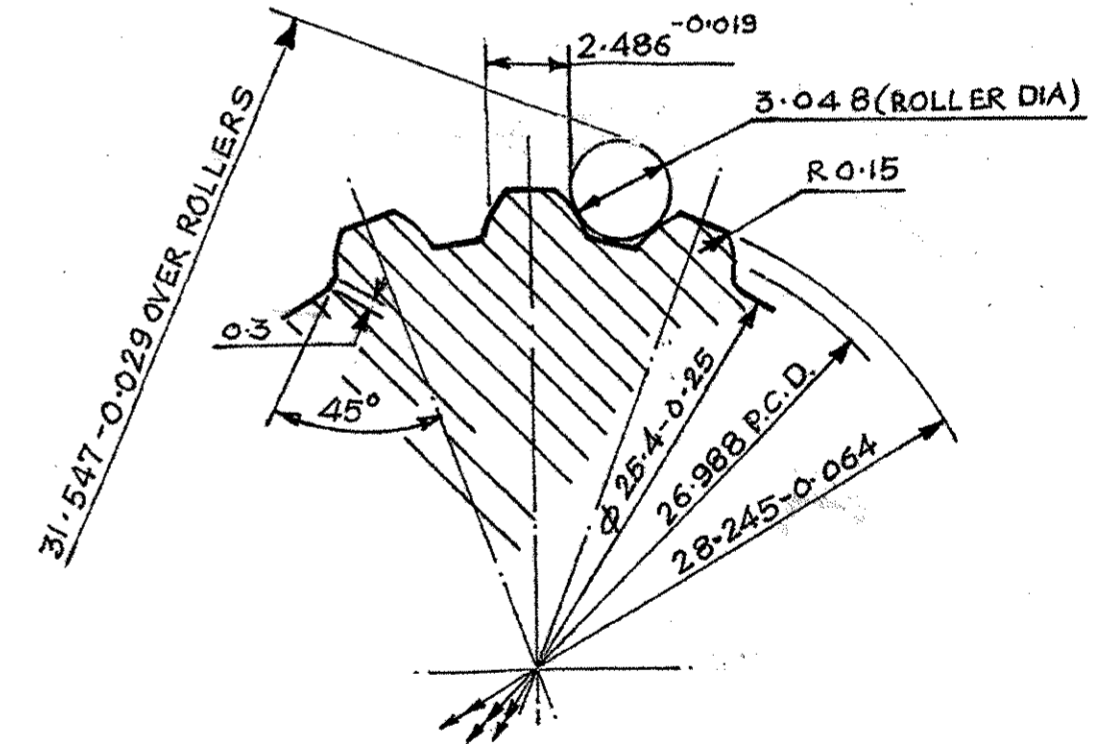
BOFORS STANDARD CLASS A2-B1

INVOLUTE SPLINE DATA

| | |
|----------------|-----|
| No. OF TEETH | 17 |
| D.P | 16 |
| PRESSURE ANGLE | 30° |

THE KNIFE EDGES OF END TEETH ON EITHER SIDE
TO BE GROUNDED OFF SO THAT THE THICKNESS OF
THEIR EDGES IS LEFT AT LEAST 3mm.

SURFACE SHOWN TO BE CASE HARDENED TO 650 TO 700 HV.



| | | | | | | |
|----------|-----------|---|----------------------------------|-------------|---|------------------------------------|
| 12-11-03 | 18819-W | HINDI NOMEN ADDED | DRN. | CHD:- | ASSY DRG:- IFL 902-SA | CQA(W) JABALPUR |
| 93-02 | | RETRACED WITHOUT CHANGE | TCD. J.L.C. | CHD:- | 1015-000515 | |
| | | PROV D C (1) Nos. 15361-W, 16095-W & 17865-W DT. 28-1-1994 | | AHSP | DATE:- 8-7-1971 | DESIGN No. D6P-180802 |
| DATE | AUTHORITY | ZONE | NATURE | SIG AHSP | SCALE:- 1:1 & 5:1 | |
| | | | AMENDMENTS | SIG DO | FOR CQA(W) | D.S. CAT No. 1015-000524 |
| | | | DRG SEALED:- 16095-W 23-12-83 | C/D'MAN | ESTD MASS:- | |
| | | | | DO CQA(W) | MATL:- IS : 4432 -1988-13 Ni 13 Cr 3 | |
| | | | | | PROTECTIVE FINISH:- TO BE PHOSPHATED AS PER SPEC. WPN/GEN.3 | |
| | | | | | CLASS II TYPE 13 (j) | |

WORM SHAFT **वॉर्म शाफ्ट**