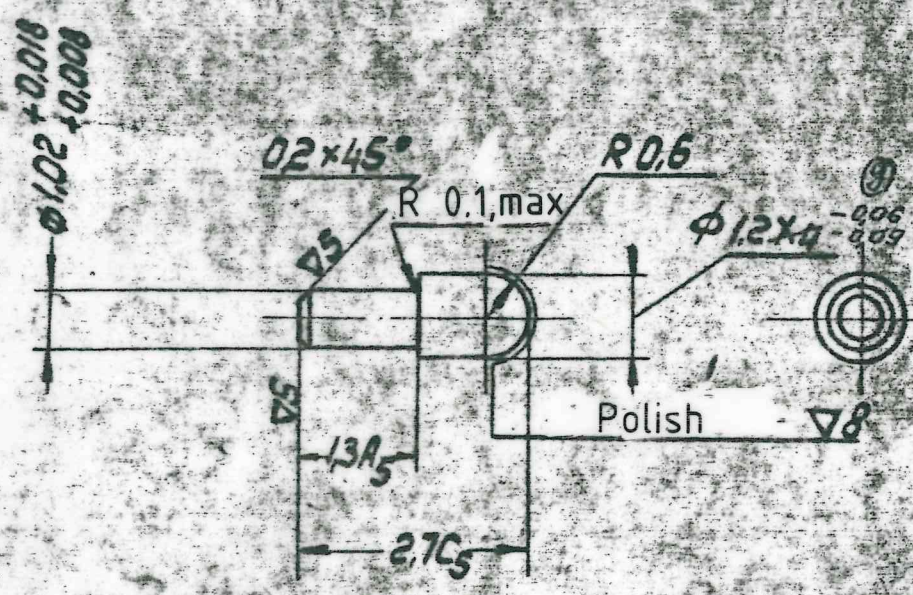


160-125

▽6 Unless otherwise specified



Покрывать

SLNO	SHEET	DOCNO	SIGN	DATE
DRAWN BY	V.J.RAO			14.5.84
EDITED AND CHECKED BY	D.K.JAN...			17.5.84
FOREMAN OF DC	S.H.RAO			46
DIVISIONAL OFFICER	D.A....			16
	NAME	SIGN	DATE	

LOCK: PIN

Steel 25x13H2  
TY14-1-721-73

160-125

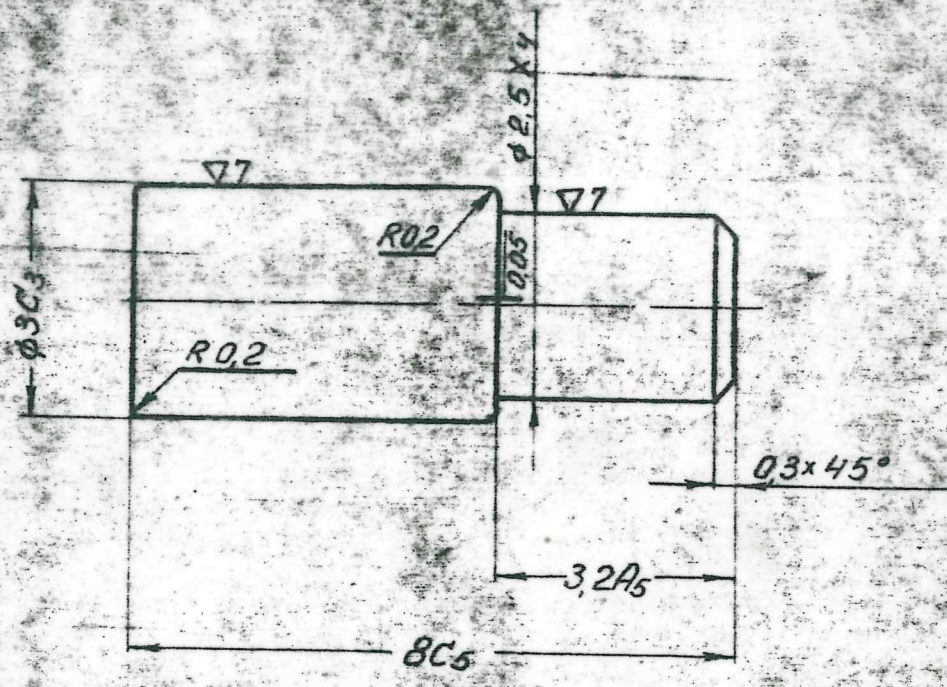
SHEETS	WEIGHT	SCALE
0.04	0.042	10:1
TOTAL SHEETS		
ORDNANCE FACTORY PROJECT HYDERABAD		



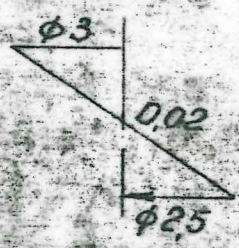
160-128

Surface finish  $\nabla 5$  Unless otherwise specified.

Восстановленный подшипник №1



Eccentricity  $\frac{2}{\sqrt{2}}$



160-128

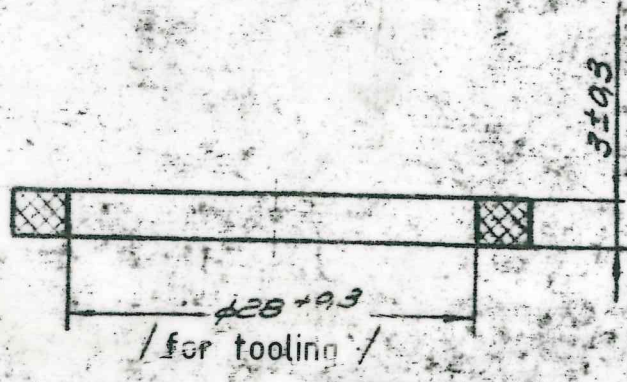
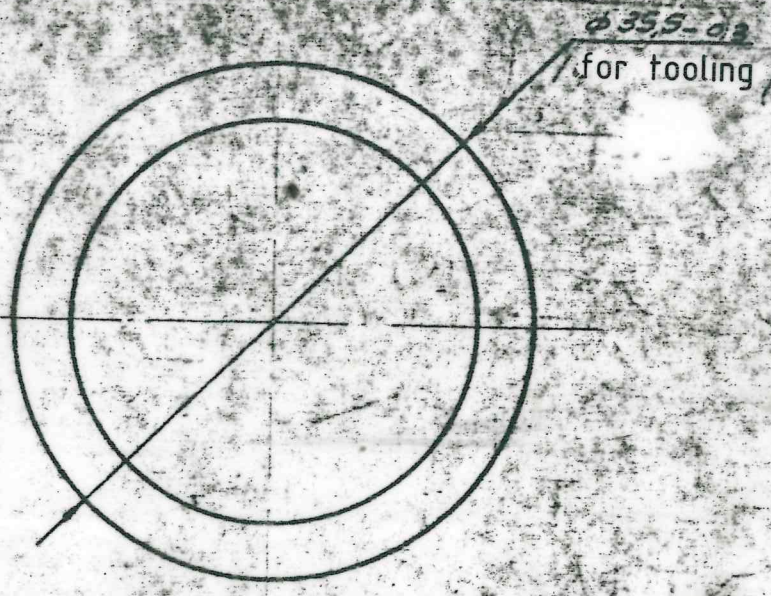
SNO/SHT	DOC NO	SIGN	DATE
DRAWN	V.J.RAO		14.5.84
EDT & CHKD	D.K. JAIN	<i>[Signature]</i>	17.5.84
F/M, DC.	SHRAB	<i>[Signature]</i>	1/6
DIV. OFFR	V. VIJAYER		
	NAME	SIGN	DATE

CARRIER  
Wire 4.0-T-12x18H9T  
ГОСТ 18143-72

SHEET	WEIGHT	SCALE
A	0.4	10:1
TOTAL SHEETS		
ORDNANCE FACTORY PROJECT HYDERABAD		



2



160-139

160-139

SNOSHT	DOC NO	SIGN	DATE
DRAWN	V.J.RAO		14.5.84
EDT,CHKD	D.K. JAIN	<i>[Signature]</i>	17.5.84
F/M,DC.	S.H.RAO	<i>[Signature]</i>	1/6
DIV.OFFR	D.A. K...	<i>[Signature]</i>	2/6
	NAME	SIGN	DATE

# GASKET

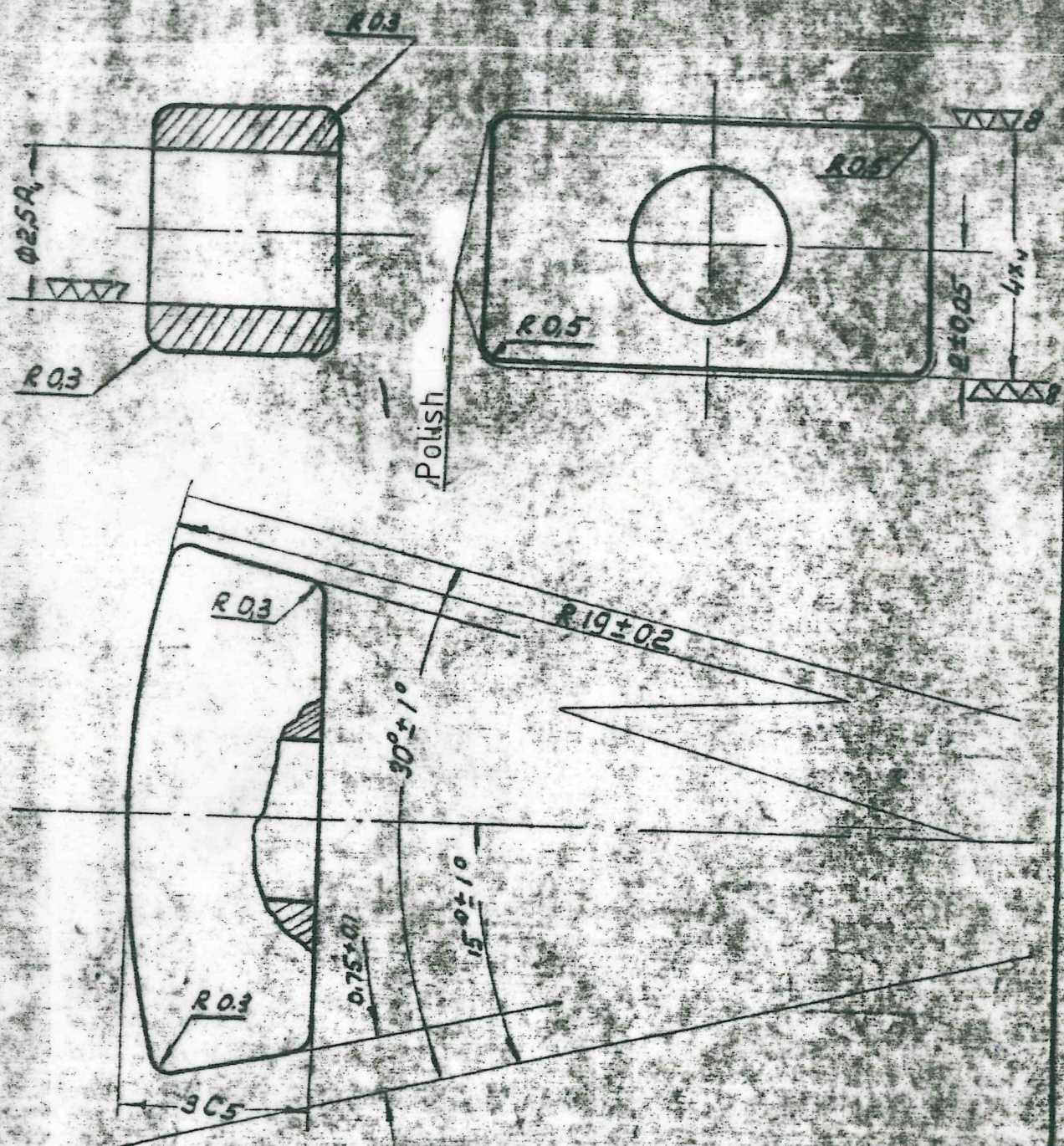
Rubber-1847  
Ty 38-005-1166-73

SHEET	WEIGHT	SCALE
	0.6	2:1
TOTAL SHEETS		
ORDNANCE FACTORY PROJECT HYDERABAD		



Восстановленный подлинник №1

961-091			Surface finish покрытие	▽6 unless otherwise specified.
---------	--	--	----------------------------	--------------------------------



SLNO	SHEET	DOCNO	SIGN	DATE
DRAWN BY	V.J.RAO			14.5.84
EDITED AND CHECKED BY	D.K.JAIN			17.5.84
FOREMAN OF DC	SARRAO			1/6
DIVISIONAL OFFICER	D.A.			2/6
	NAME	SIGN	DATE	

BLOCK  
Bronze БРАМЦ 9-2  
ГОСТ 1628-78

160 - 196		
SHEETS	WEIGHT	SCALE
A	0.5	10:1
TOTAL SHEETS		
ORDNANCE FACTORY PROJECT HYDERABAD		

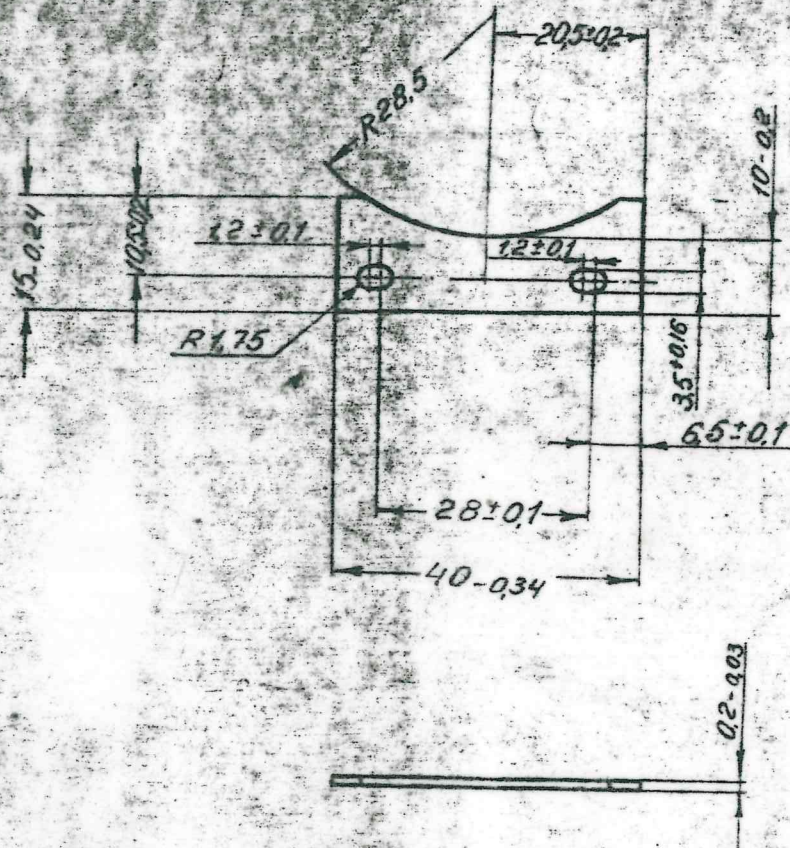


160-208

surface  
finish  
coating:  
chemically  
parkerised

~ All over

Восстановленный подлинник №1



Burrs are not allowed.

SLNO	SHEET	DOCNO	SIGN	DATE
DRAWN BY	V.J.RAO			14.5.84
EDITED AND CHECKED BY	DK.JAIN			17.5.84
FOREMAN OF DC	S.H.RAO			1/6
DIVISIONAL OFFICER	D.A.SINGH			2/6
	NAME	SIGN	DATE	

GASKET

Band д.нрНТ 0.2 №63  
ГОСТ 2208-75

160-208		
SHEETS	WEIGHT	SCALE
06		1:1
TOTAL SHEETS		
ORDNANCE FACTORY PROJECT HYDERABAD		

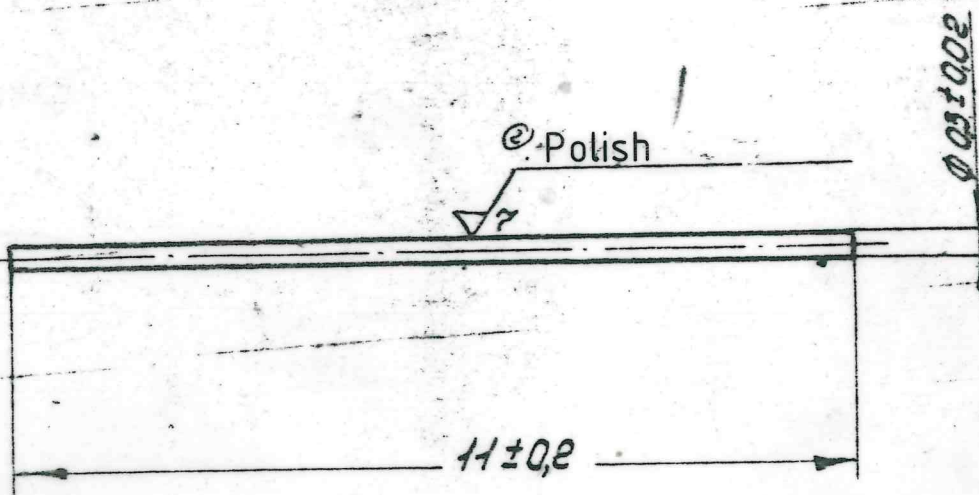
D 130-169



160-217

Unless otherwise specified.

Восстановленный подлинник №1



SLNO	SHEET	DOCNO	SIGN	DATE
DRAWN BY	V.J.RAO			14.5.84
EDITED AND CHECKED BY	D.K.JAIN			17.5.84
FOREMAN OF DC	S.H.AAD			1/6
DIVISIONAL OFFICER				
	NAME	SIGN	DATE	

BRUSH

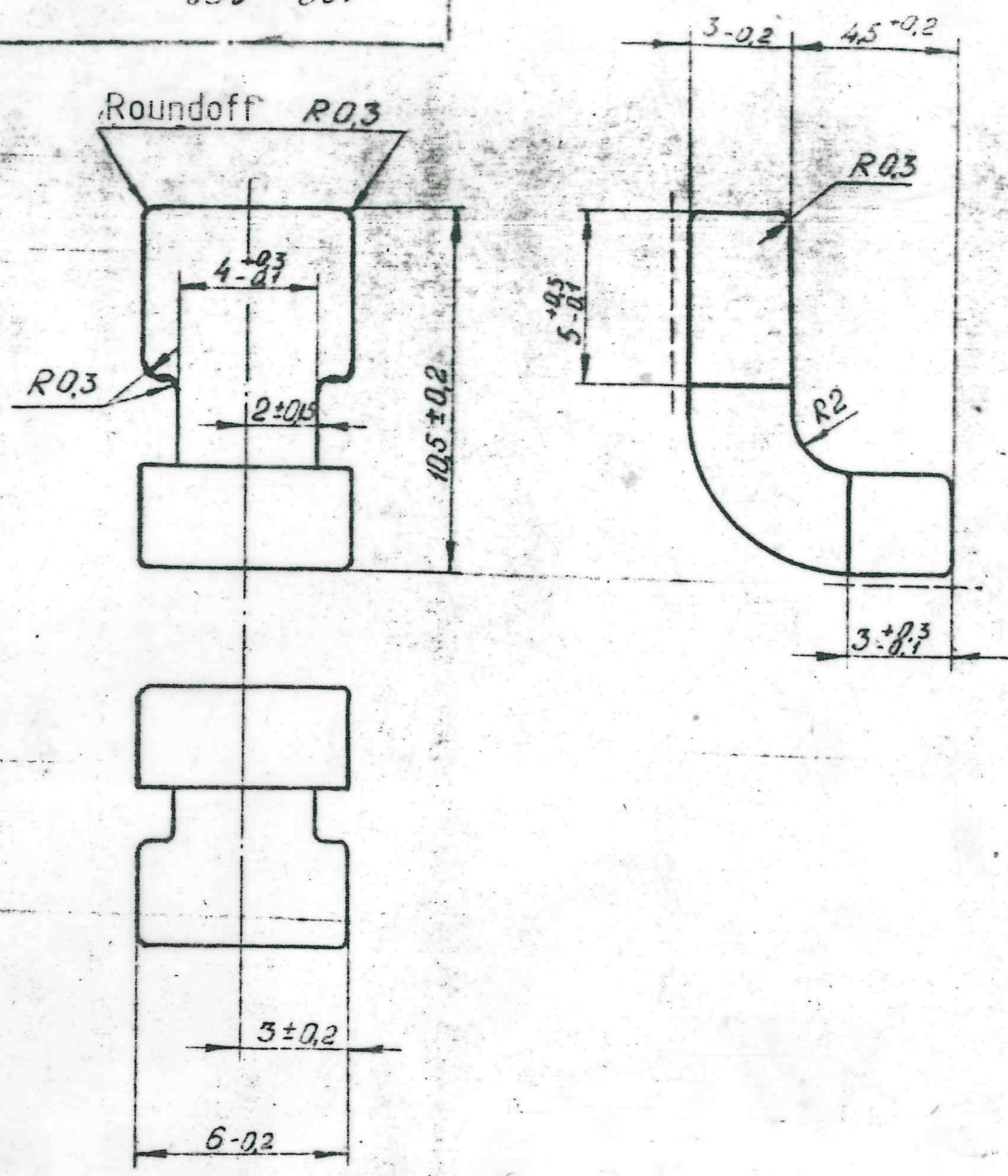
Palladium-iridium alloy ngu-18

TY48-1-51-73

160-217		
SHEETS	WEIGHT	SCALE
0011		10:1
TOTAL SHEETS		
ORDNANCE FACTORY PROJECT HYDERABAD		



160-258



1. Dimension  $4 \pm 0.1$  is allowed at bends instead of dimension  $4 \pm 0.3$ .
2. Bronze  $\text{Br}\phi 6,5=0,15$  may be used.
3. Traces of tools are allowed at the places indicated with----- External view is as per standard.

S/NO	SHEET	DOCNO	SIGN	DATE
DRAWN BY	V.J.RAO			14.5.84
EDITED AND CHECKED BY	D.K. JAIN			17.5.84
FOREMAN OF DC	SHRAO			16
DIVISIONAL OFFICER	D.A. RAO			2/6
	NAME	SIGN	DATE	

CAGE FRAME

Band  $\text{Br}\phi\text{M}\phi 3-1-\text{M}-3.0$   
POST 4748-70

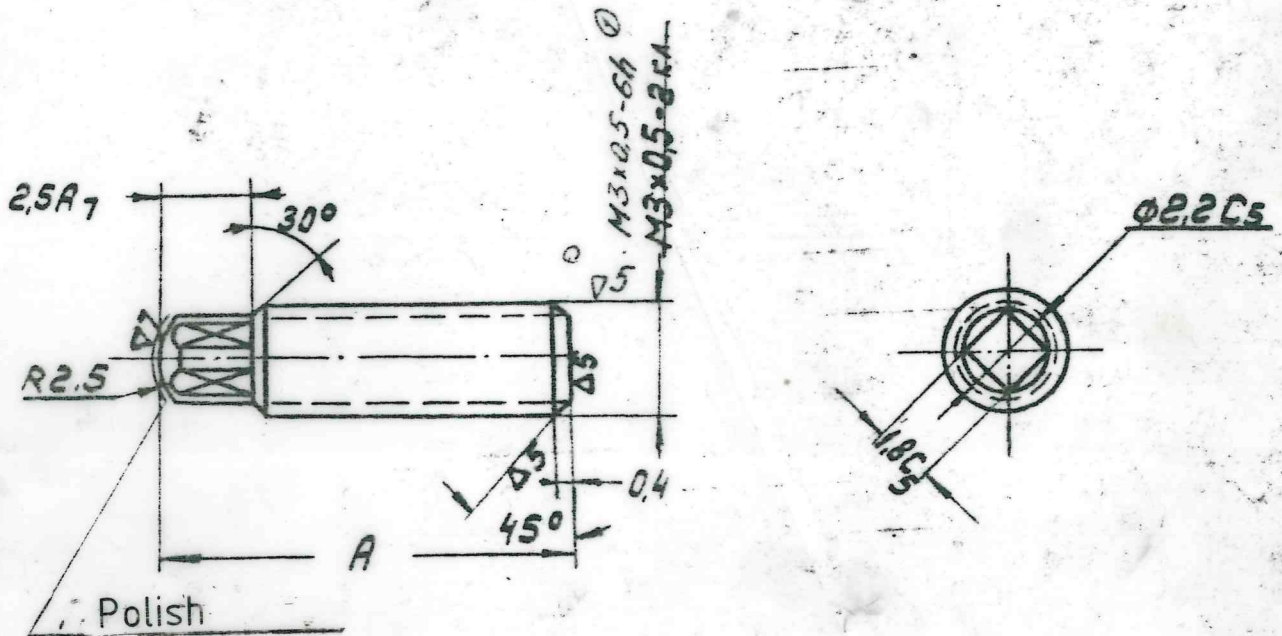
160-258

SHEETS	WEIGHT	SCALE
A	15	5/11
TOTAL SHEETS		
ORDNANCE FACTORY PROJECT		
HYDERABAD		



160-265/306

▽6 Unless otherwise specified.



Design. of part	A	Weight
265	9B7	0,43g
306	8,5B7	0,35g

SLNO	SHEET	DOCNO	SIGN	DATE
	DRAWN BY	V.J.RAO		14.5.84
	EDITED AND CHECKED BY	D.K. JAIN		17.5.84
	FOREMAN OF DC	S.H.RAO		1/6
	DIVISIONAL OFFICER			
	NAME	SIGN	DATE	

THRUST SCREW

Steel 40x13  
ГОСТ 14955-77

160-265/306

SHEETS | WEIGHT | SCALE

A | | 5:1

TOTAL SHEETS

ORDNANCE FACTORY PROJECT HYDERABAD

D-130-172