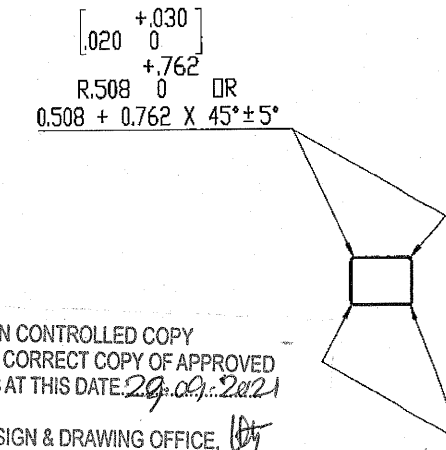
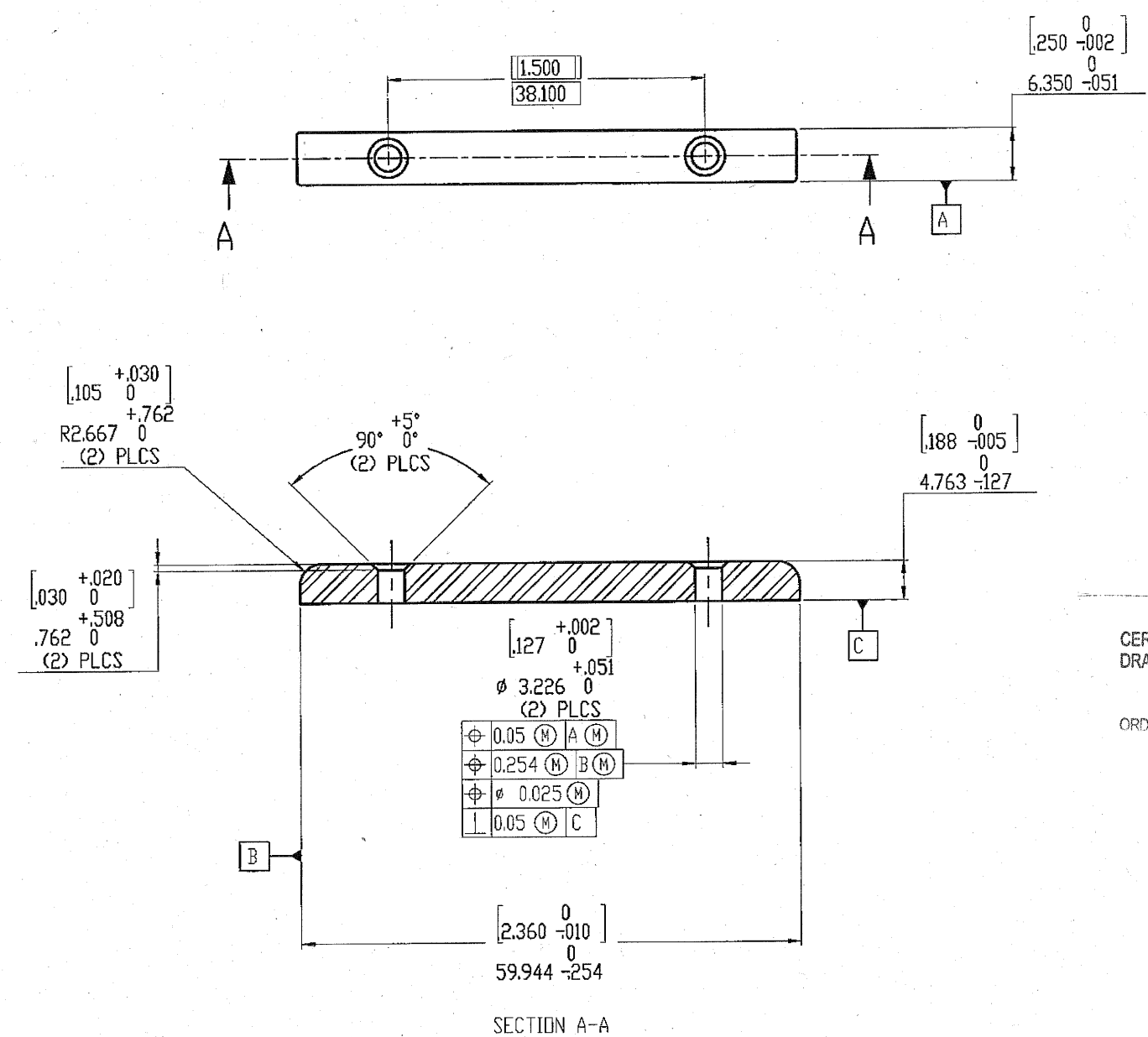


NOTES:

1. APPLICABLE SPECS/STANDARDS:  
A. ASME Y14.5M-1994
2. MATERIAL: STEEL, ASTM A108, 1117.
3. FINAL PROTECTIVE FINISH: APPLIED AFTER ASSEMBLY.
4. SURFACE FINISH <sup>3.2</sup> ALL OVER.
5. BREAK EDGES 0.076 + 0.305 UNLESS OTHERWISE SPECIFIED.

REVISIONS				
ZONE	REV.	DESCRIPTION	DATE	APPROVED
	A	CREATE DRAWING	12/18/2015	G. HERSHBERGER

M1371



UN CONTROLLED COPY  
CERTIFIED CORRECT COPY OF APPROVED  
DRAWINGS AT THIS DATE: 29.09.2021  
DESIGN & DRAWING OFFICE, *DB*  
ORDNANCE FACTORY, TIRUCHIRAPPALI - 620 016.

Provisionally Approved  
2-4 AUG 2021 for code (AP)

⊕ 0.05 (M) A (M)
⊕ 0.254 (M) B (M)
⊕ 0.025 (M)
⊥ 0.05 (M) C

<p>ITAR CONTROLLED</p> <p>THIS DOCUMENT IS CONTROLLED UNDER THE ITAR. IT MAY NOT BE REPRODUCED OR TRANSMITTED IN ANY FORM OR BY ANY MEANS, WITHOUT THE WRITTEN APPROVAL OF THE U.S. GOVERNMENT. VIOLATIONS WILL RESULT IN CIVIL OR CRIMINAL PENALTIES.</p> <p>PROPRIETARY AND CONFIDENTIAL</p> <p>THE INFORMATION CONTAINED IN THIS DRAWING IS THE SOLE PROPERTY OF OHIO ORDNANCE WORKS, INC. ANY REPRODUCTION IN PART OR AS A WHOLE WITHOUT THE WRITTEN PERMISSION OF OHIO ORDNANCE WORKS, INC. IS PROHIBITED.</p>	<p>UNLESS OTHERWISE SPECIFIED:</p> <p>DIMENSIONS ARE IN INCHES</p> <p>ALL THREAD DIA ARE IN INCHES</p> <p>TOLERANCES:</p> <p>FRACTIONAL</p> <p>ANGULAR MACH ±1° BEND</p> <p>TWO PLACE DECIMAL ±0.25</p> <p>THREE PLACE DECIMAL ±0.127</p> <p>INTERPRET GEOMETRIC TOLERANCING PER</p> <p>MATERIAL</p> <p>FINISH</p> <p>DO NOT SCALE DRAWING</p>	<table border="1"> <tr> <th>NAME</th> <th>DATE</th> </tr> <tr> <td>DRAWN</td> <td>11/27/15</td> </tr> <tr> <td>CHECKED</td> <td></td> </tr> <tr> <td>ENG APPR.</td> <td></td> </tr> <tr> <td>MFG APPR.</td> <td></td> </tr> <tr> <td>Q.A.</td> <td></td> </tr> <tr> <td>COMMENTS:</td> <td></td> </tr> </table>	NAME	DATE	DRAWN	11/27/15	CHECKED		ENG APPR.		MFG APPR.		Q.A.		COMMENTS:		<p>OHIO ORDNANCE WORKS, INC.</p> <p>BRACKET, COVER, ODW50BMG</p> <p>SIZE C 5152752</p> <p>SCALE: 2:1 WEIGHT: SHEET 1 OF 1</p>
	NAME	DATE															
	DRAWN	11/27/15															
	CHECKED																
ENG APPR.																	
MFG APPR.																	
Q.A.																	
COMMENTS:																	
<p>REV A</p>	<p>DATE</p>	<p>APPROVED</p>	<p>REV A</p>														
<p>DATE</p>	<p>DATE</p>	<p>DATE</p>	<p>DATE</p>														
<p>DATE</p>	<p>DATE</p>	<p>DATE</p>	<p>DATE</p>														