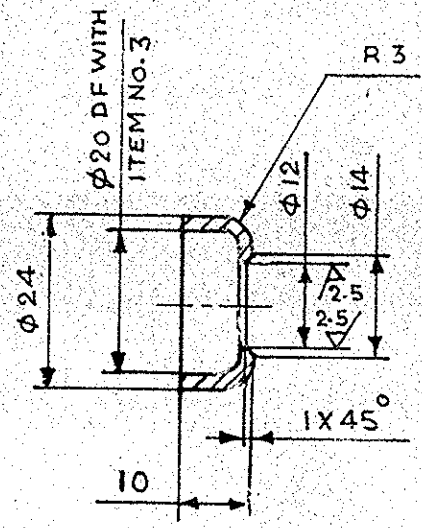


PART No. 2A42/INA/0547		DRG CONVENTIONS CONFORM TO IS:696 DIMENSIONS ARE IN mm.							
4 SHTS		TOLERANCES FOR UNTOLERANCED LINEAR DIMENS							
SHT-3		ABOVE	6	30	120	315	1000	2000	4000
		UP TO	6	30	120	315	1000	2000	4000
		TOL	±0.1	±0.2	±0.3	±0.5	±0.8	±1.2	±2
									±3

②

3.2/ (2.5/)



TREATMENT - HRD - RC 45-50

3/4
C9054

22-9-95	18174-W	PROV SEALING CANCELLED AND DRG SEALED.	14V/19V/GBGO	CQA(W) JABALPUR	
26-2-92	17234-W	DRG SEALED PROV.	14V/19V/GBGO	DRAWN:- JNS	CHD:- PNR
15-2-92		NEW POLY NEG PREPARED		TRACED:- SR SINGH	CHD:- G.P. Shukla
DATE	AUTHORITY	ZONE	NATURE	SIG AHSP	SIG DO
AMENDMENTS				CHIEF D' MAN	DO
DRG SEALED:- 18174-W 22-9-95				AHSP	FOR CQA(W)
SCALE:- N.T.S		ESTD MASS:-	DATE:-	DESIGN No.	
MATL:- BS 970-080M40				PART No.	
ASSY DRG 2A42/INA/0547 4 SHTS: SHT-1				4 SHTS 2A42/INA/0547 SHT-3	
CUP (BORE BRUSH)				D.S. CAT No.	