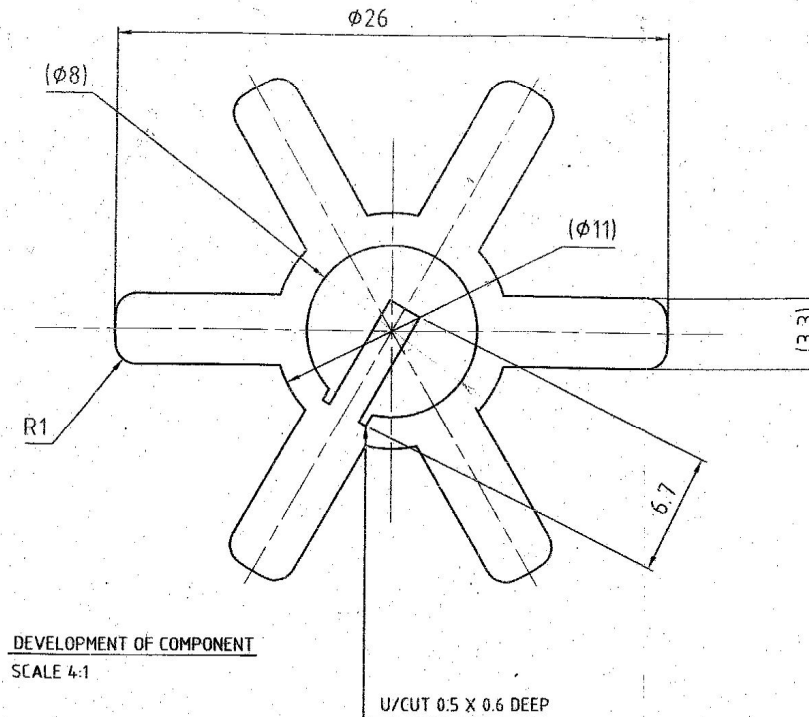
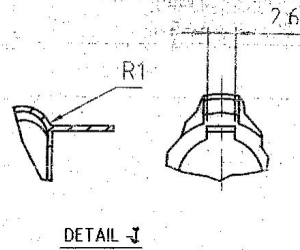
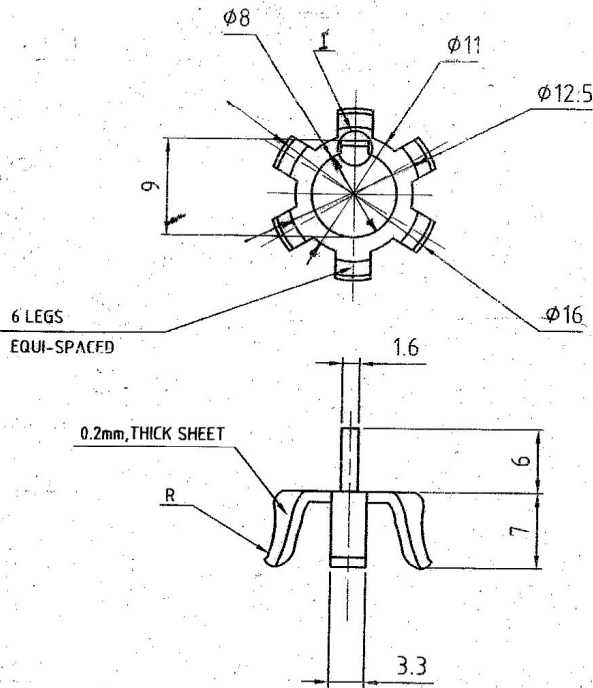


MATERIAL: COPPER-BARELIUM (HRD) (I)  
 Cu-6 101.18% CB 101, SH, BS: 2870-80

SURFACE FINISH:

TREATMENT  
 HARDNESS:

PROTECTIVE FINISH:



DEVELOPMENT OF COMPONENT  
 SCALE 4:1

270918  
 व्यापार हेतु  
 FOR TRADE ONLY

OLD NO.037003

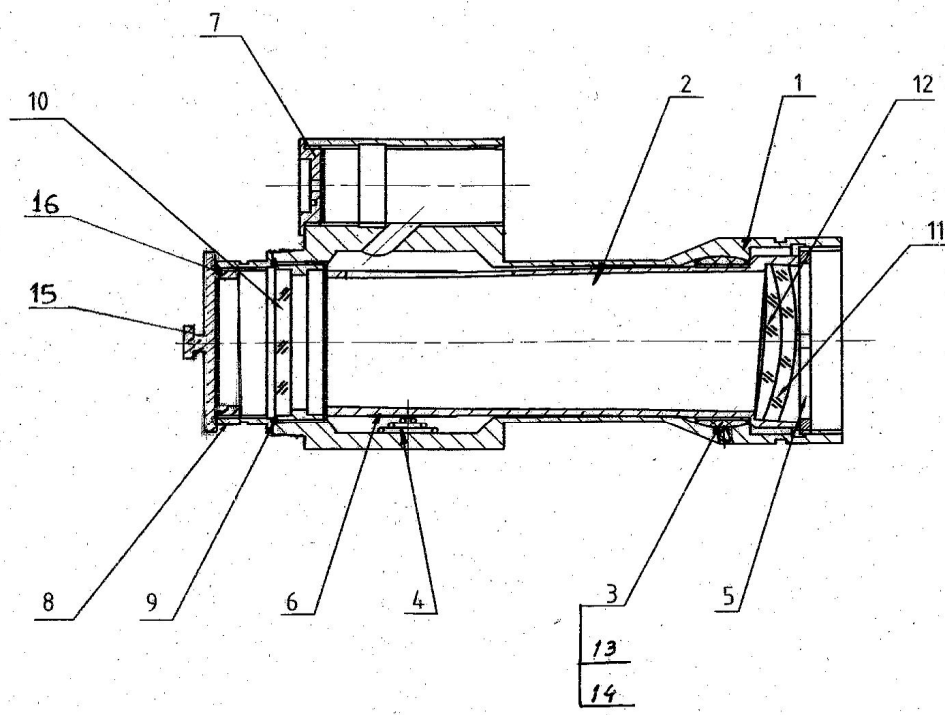
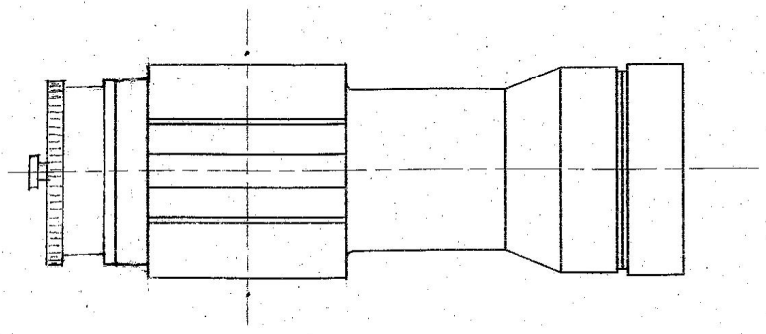
ITEM	DESCRIPTION	No. OFF	MATERIAL	REMARKS
LIST OF PARTS				
COMPT. No.	ASSY. DRG.	OPTO ELECTRONICS FACTORY DEHRADUN		
2007	GEN. TOL. IS 2102-m (PART-II)	TITLE <b>FORK</b>		
DRAWN	<i>As</i>	16-4	REF. M 1	
CHECKED	<i>At</i>	16-4		
HOS	<i>At</i>	16-4	DRG.No. OLF/R&D/RDS/001.05.07	
	NAME	DATE		
	<i>At</i>	M/Yr. 4/07	SCALE: 2:1 SHTS. 18 SHT. No. 10	
APPROVED				

(i) DO/DA/96/15  
 Dt Gm/pc  
 30/7/2015  
 MATERIAL DESIG.  
 CORRECTION OF

AMENDMENTS

(2-9 281-1 08-0785 24)

MATERIAL:	TREATMENT HARDNESS:
SURFACE FINISH:	PROTECTIVE FINISH:

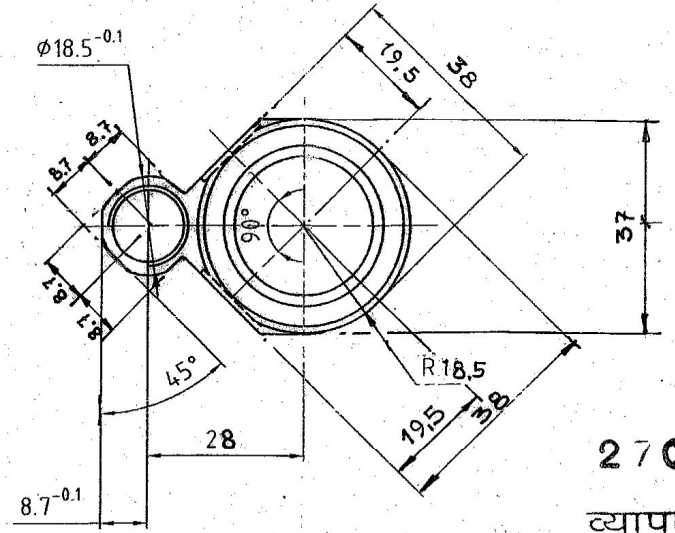
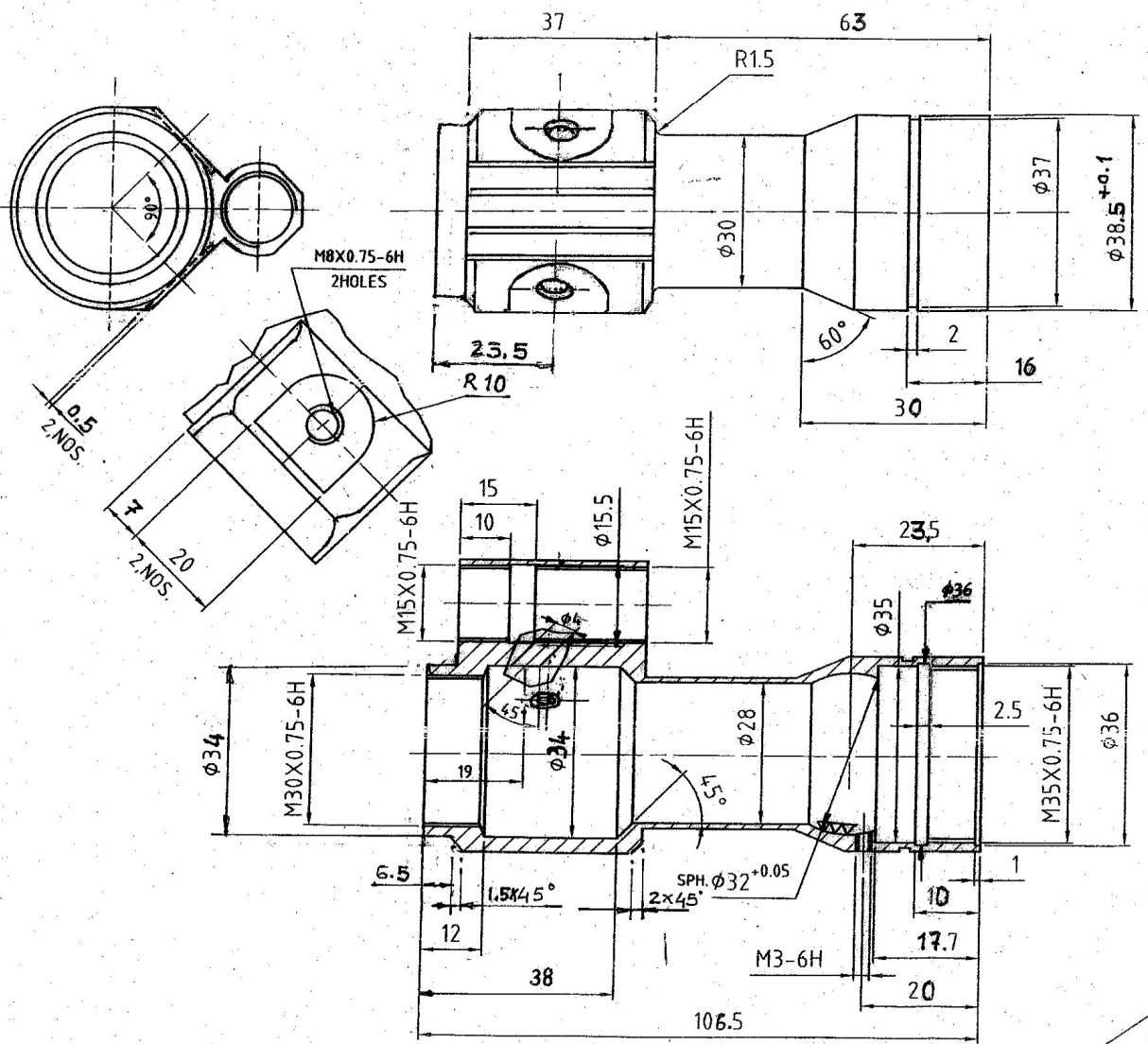


270918  
 व्यापार हेतु  
 FOR TRADE ONLY

NOTE:- PART No.1 BODY TO BE LAPPED WITH PART  
 No.3 THREADED RING (TEFLON) TO ENSURE SMOOTH MOVEMENT.

ITEM	DESCRIPTION	No. OFF	MATERIAL	REMARKS
LIST OF PARTS				
COMPT. No.	ASSY. DRG.	OPTO ELECTRONICS FACTORY DEHRADUN		
	RED DOT SIGHT	TITLE		
2007	GEN. TOL. IS 2102-m (Pt.-1)	BODY ASSY		
DRAWN	AG	16/4	REF. M 1	
CHECKED	G/DI	16.4.	DRG.No. OLF/R&D/RDS/001-01	
JWM	G/DI	16.4.	SCALE: 1:1	
	NAME	DATE	SHTS 16 SHT. No. 02	
	AWM/R&D	M/Yr.	APPROVED:	
		9/87		
AMENDMENTS				

MATERIAL: AL.ALLOY IS 733 : 83 GR 24345( WP)	TREATMENT HARDNESS: T6
SURFACE FINISH: ▽ ▽ ▽	PROTECTIVE FINISH: ANODIC OXIDATION BLACK



270.918  
व्यापार हेतु  
FOR TRADE ONLY

NOTE:-  
SHOULD BE BLACK POWDER COATING/PAINT ON  
OUTER SURFACE OF THE BODY EXCEPT HOLES  
& THREAD

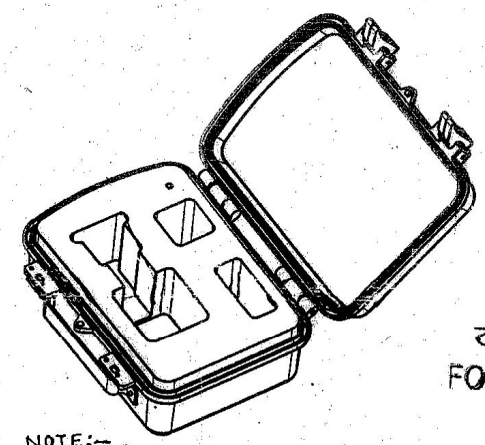
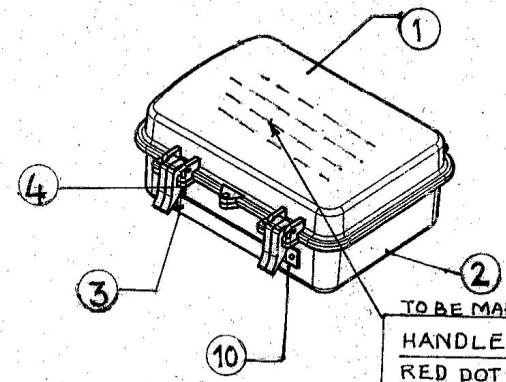
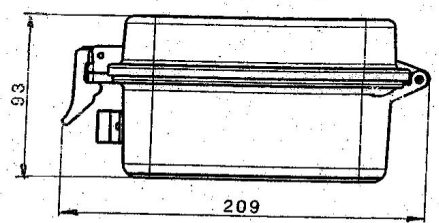
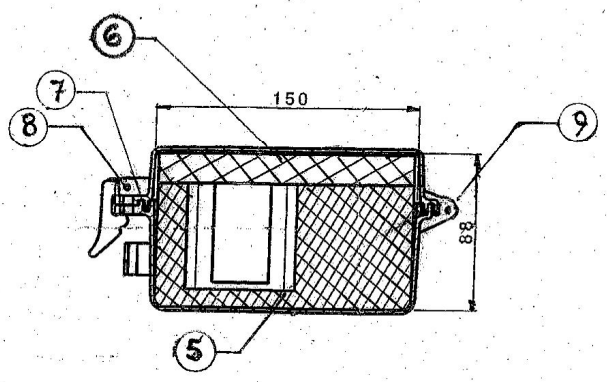
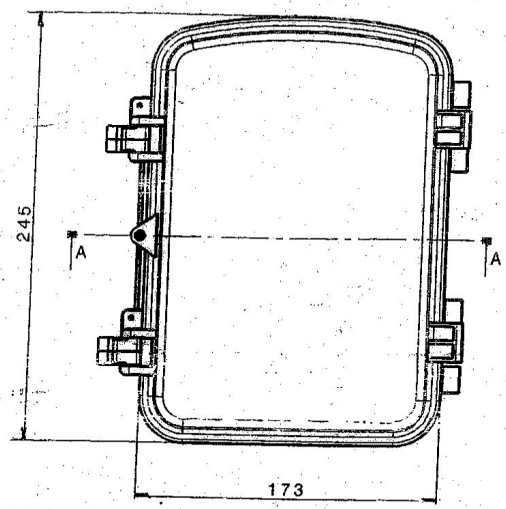
ITEM	DESCRIPTION	No. OFF	MATERIAL	REMARKS
LIST OF PARTS				
COMPT. No.	ASSY. DRG. RED DOT SIGHT	OPTO ELECTRONICS FACTORY DEHRADUN		
20%	GEN. TOL. IS 2102-m (Pt-1)	TITLE <b>BODY</b>		
DRAWN	AW	16.4	REF. M2	
CHECKED	AW	16.4		
HOS.	AW	16.4		
NAME		DATE	DRG.No. OLF/R&D/RDS/001.01.01	
AWM/R&D		M/Yr. 4/07	SCALE: 1:1	
APPROVED		SHTS. 16		SHT. No. 03

D.A.No.	DT./SIGN	DESCRIPTION
AMENDMENTS		

OLD NO.037001

MATERIAL: POLY PROPYLENE OLIVE GREEN COLOUR	TREATMENT: HARDNESS:
SURFACE FINISH:	PROTECTIVE FINISH:

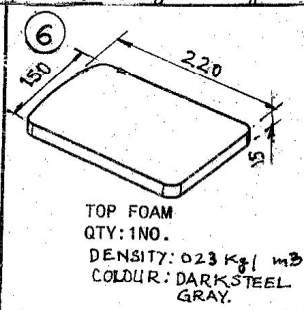
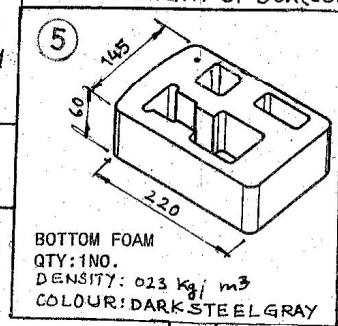
VIEW A-A  
A-A



270918  
व्यापार हेतु  
FOR TRADE ONLY

- NOTE: 1. PILOT SAMPLE SHOULD BE APPROVED BEFORE BULK SUPPLY.  
2. BOX SHALL MEET THE CLIMATIC & DURABILITY TEST SPECIFICATION AS PER JSS: 5555 (AS PER CGA(U) ATP No. CGA(U) ATP/144 ATTACHED) (U)  
3. WEIGHT OF BOX (COMPLETE) 525 gm ± 50 gm (U)

TO BE MARKED ON:  
HANDLE WITH CARE  
RED DOT SIGHT  
CAT PART No. Z7/OLF/R&D/RDS/001  
REGD. No.



④

PLASTIC LOCK  
QTY: 2NOS.

③

NYLON STRAP (HANDLE)  
QTY: 1NO.  
SIZE: 240 X 25 X 2mm THICK

②

PLASTIC BASE  
QTY: 1NO.

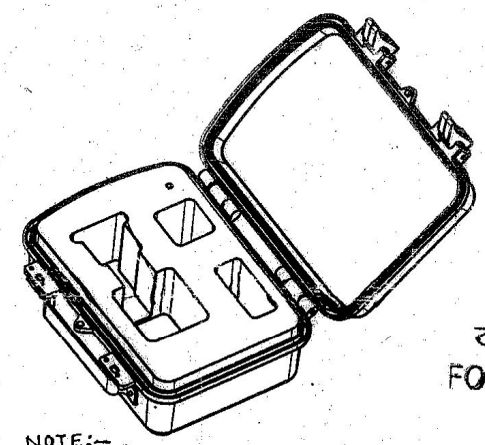
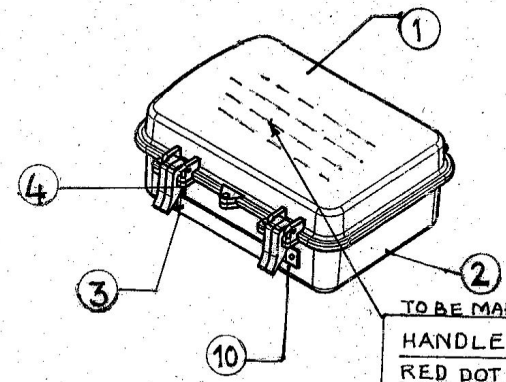
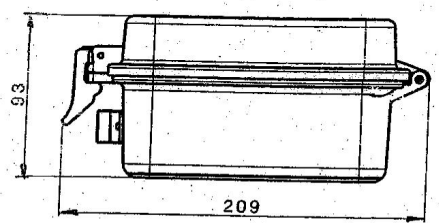
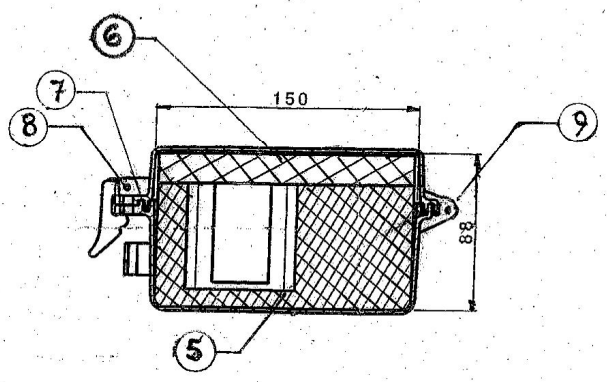
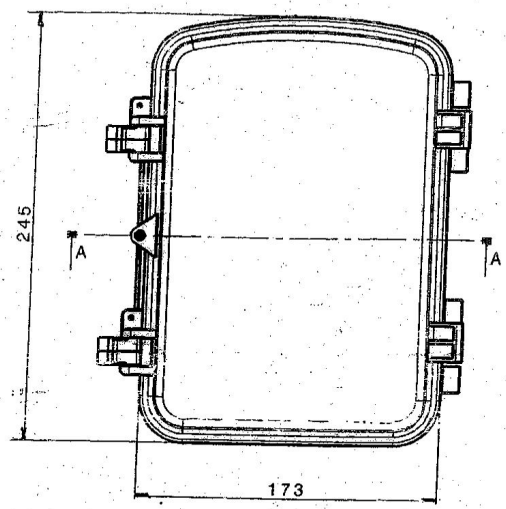
①

PLASTIC COVER  
QTY: 1NO.

ITEM DESCRIPTION		No. OFF	MATERIAL	REMARKS
COMPT.	ASSY. DRG.	LIST OF PARTS		
DRN.	R.D.S.	OPTO ELECTRONICS FACTORY DEHRADUN		
2012	GEN. TOL. IS: 2012	TITLE CASE CARRYING		
DRN.		FOR RED DOT SIGHT		
LND.	30/6	(Z7/OLF/R&D/RDS/001.07)		
JWM	31/9	REF. M4		
DA No.	DATE/SIG.	DRG. No OLF/R&D/RDS/001.07		
AMENDMENTS		SCALE N: T.S		
APPROVED		SHTS 02/34 No. 02		

MATERIAL: POLY PROPYLENE OLIVE GREEN COLOUR	TREATMENT: HARDNESS:
SURFACE FINISH:	PROTECTIVE FINISH:

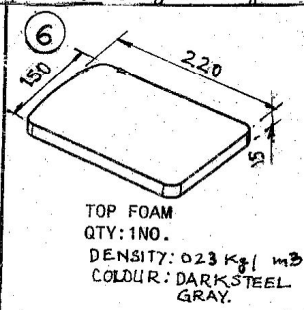
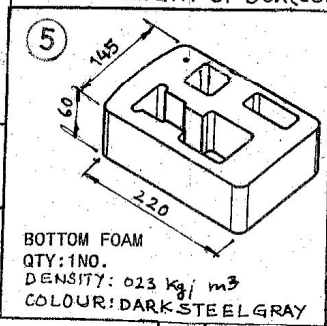
VIEW A-A  
A-A



270918  
व्यापार हेतु  
FOR TRADE ONLY

- NOTE: 1. PILOT SAMPLE SHOULD BE APPROVED BEFORE BULK SUPPLY.  
2. BOX SHALL MEET THE CLIMATIC & DURABILITY TEST SPECIFICATION AS PER JSS: 5555 (AS PER CGA(U) ATP No. CGA(U) ATP/144 ATTACHED) (U)  
3. WEIGHT OF BOX (COMPLETE) 525 gm ± 50 gm (U)

TO BE MARKED ON:  
HANDLE WITH CARE  
RED DOT SIGHT  
CAT PART No. Z7/OLF/R&D/RDS/001  
REGD. No.



④

PLASTIC LOCK  
QTY: 2NOS.

③

NYLON STRAP (HANDLE)  
QTY: 1NO.  
SIZE: 240 X 25 X 2mm THICK

②

PLASTIC BASE  
QTY: 1NO.

①

PLASTIC COVER  
QTY: 1NO.

ITEM DESCRIPTION		No. OFF	MATERIAL	REMARKS
COMPT.	ASSY. DRG.	LIST OF PARTS		
DRN.	R.D.S.	OPTO ELECTRONICS FACTORY DEHRADUN		
2012	GEN. TOL. IS: 2012	TITLE CASE CARRYING		
DRN.		FOR RED DOT SIGHT		
LHD.	30/6	(Z7/OLF/R&D/RDS/001.07)		
JWM	31/9	REF. M4		
DA No.	DATE/SIG.	NAME	DATE	DRG. No OLF/R&D/RDS/001.07
AMENDMENTS		APPROVED		
		SCALE N: T.S		
		SHTS 02/34 No. 02		