

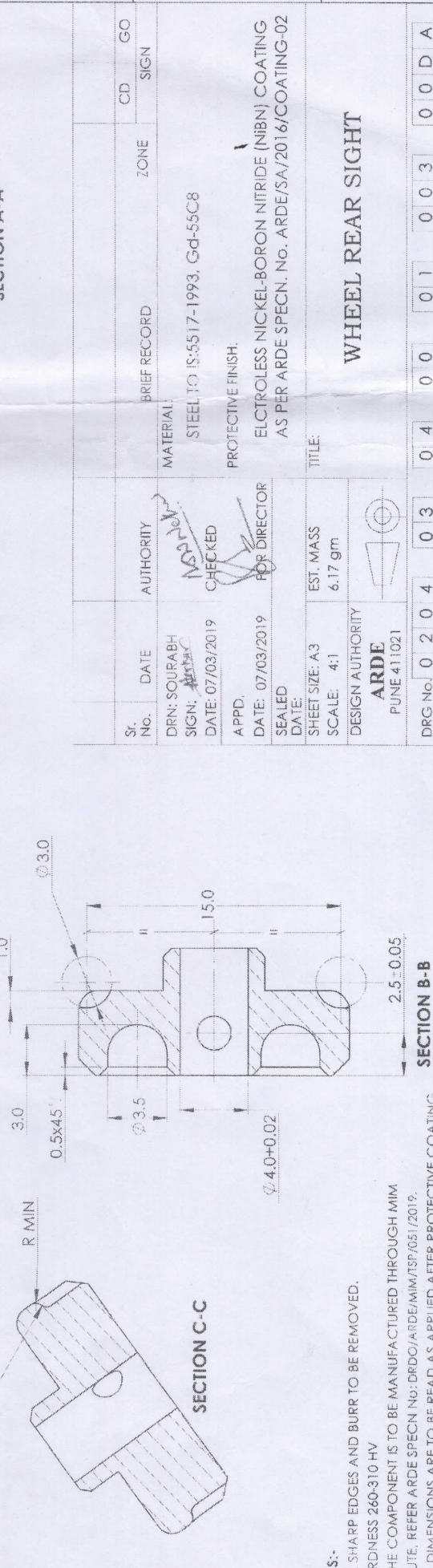
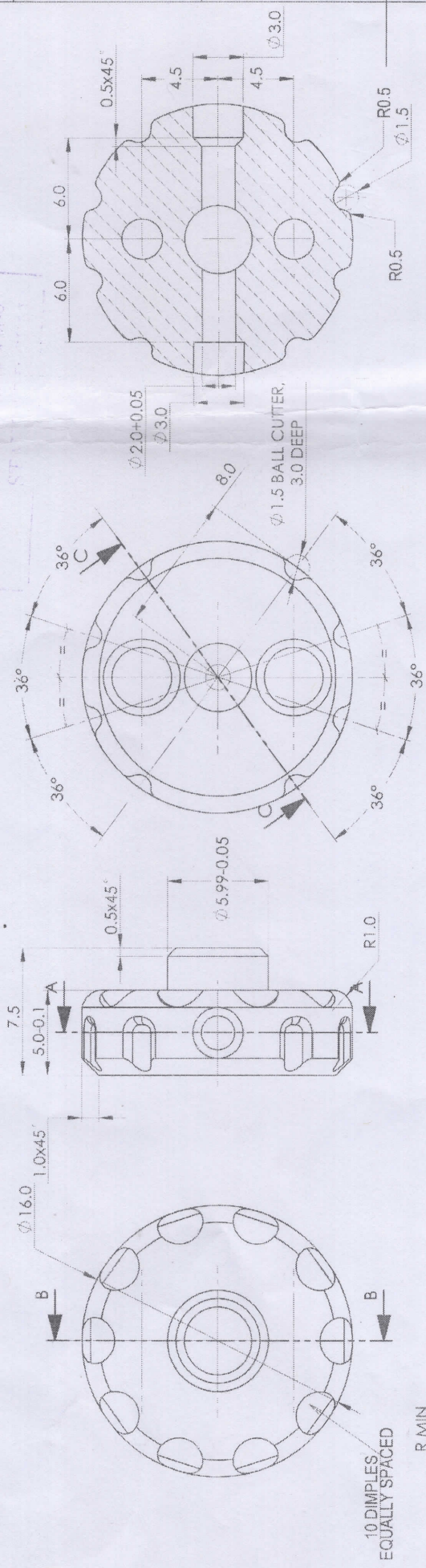
संशोधन को संशोधन के रूप में प्रमाणित किया गया है।  
 Confirmed as correct copy  
 of drg. on 14/10/2019

श्री. आशीष शर्मा  
 Sr. Works Manager

DRG No. 0204  
 IC 404  
 SS 00  
 S 00  
 AA 00  
 A 10  
 C 00  
 0000

DRG CONVENTIONS CONFIRM TO INDIAN STANDARDS  
 DIMENSIONS ARE IN mm UNLESS OTHERWISE STATED.

GENERAL TO.: FINE / MEDIUM / COARSE  
 CLASS TO IS: 2102



**NOTES:-**

- 1) ALL SHARP EDGES AND BURR TO BE REMOVED.
- 2) HARDNESS 260-310 HV
- 3) IF THE COMPONENT IS TO BE MANUFACTURED THROUGH MIM ROUTE, REFER ARDE SPECN No.: DRDC/ARDE/MIM/TSP/051/2019.
- 4) ALL DIMENSIONS ARE TO BE READ AS APPLIED AFTER PROTECTIVE COATING.
- 5) ALL PROTECTIVE COATING : PHOSPHATED TO SPECN. IS:3618-1966, CLASS 'B'
- 6) SURFACE FINISH  $\nabla$  ALL OVER EXCEPT WHERE SPECIFIED.

Sr. No.	DATE	AUTHORITY	BRIEF RECORD	ZONE	CD	GO
DRN: SOURABH	DATE: 07/03/2019	MSR	MATERIAL: STEEL TO IS:5517-1993, Gd-55C8			
SIGN: ARDE	DATE: 07/03/2019	CHECKED FOR DIRECTOR	PROTECTIVE FINISH: ELECTROLESS NICKEL-BORON NITRIDE (NiBN) COATING AS PER ARDE SPECN. NO. ARDE/SA/2016/COATING-02			
APPD.	DATE: 07/03/2019	DESIGN AUTHORITY	TITLE: WHEEL REAR SIGHT			
SEALD	DATE: 07/03/2019	ARDE PUNE 411021	EST. MASS: 6.17 gm			
DATE:	SHEET SIZE: A3	SCALE: 4:1	DESIGN AUTHORITY			
DRG No. 0204	IC 03	SS 03	DS CAT. No. AA	A	C	D A
JVPC	PART No.	IC 03	DS CAT. No. AA	A	C	D A
5	6	7	8			