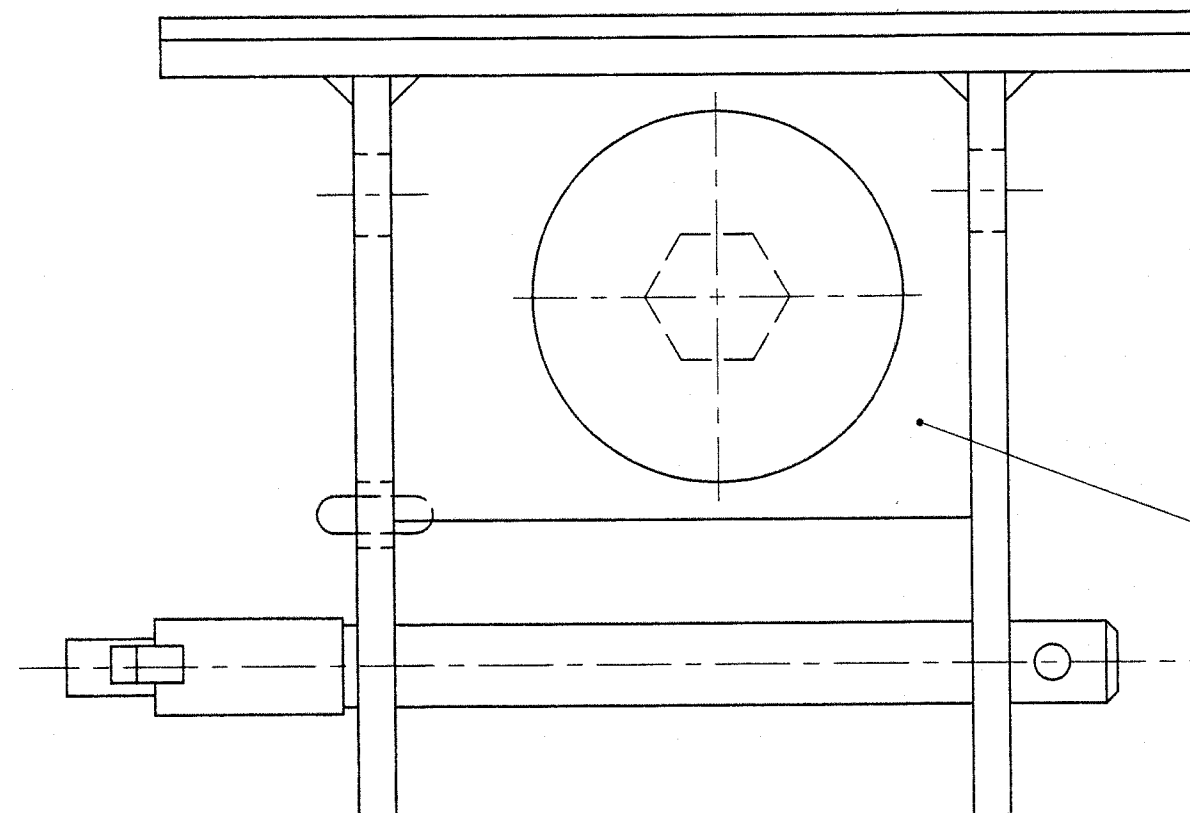
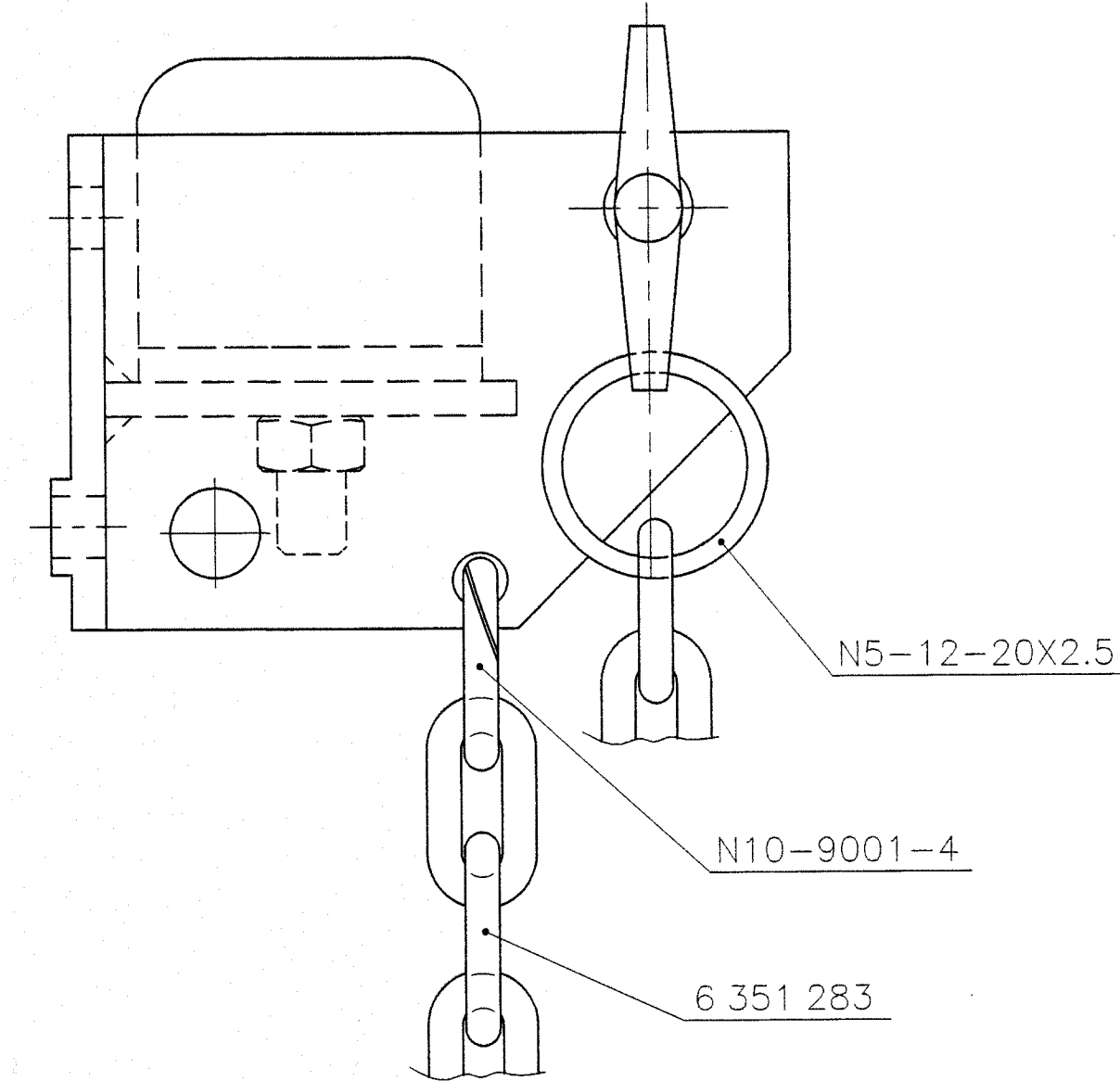


5 171 493
(5 171 492)

6 298 889

6 346 715

N3-56-10

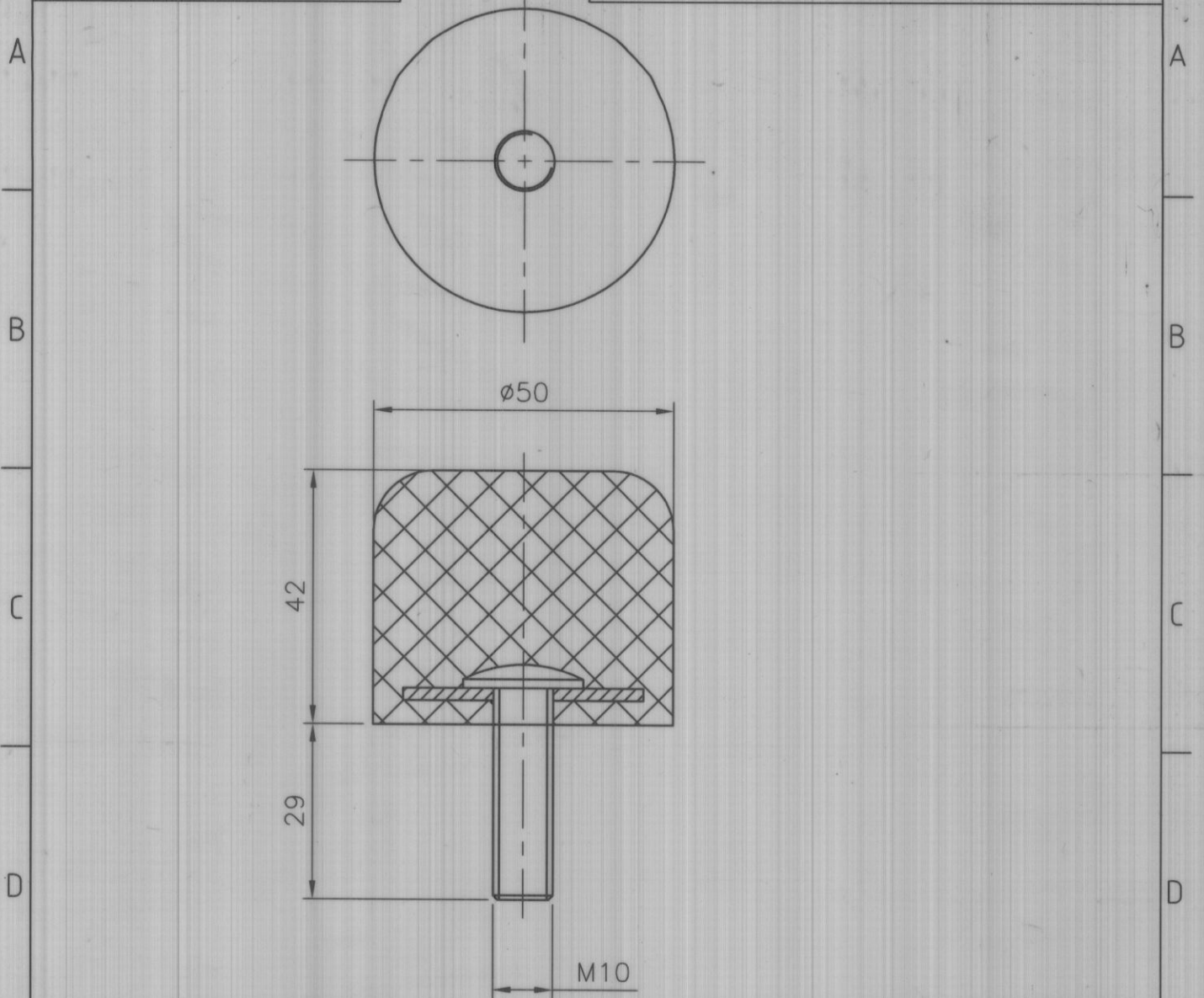


1 144 033
(4 081 564)

P.No.	NOMENCLATURE	No. OFF	MATERIAL	HARDNESS	STANDARD	REMARKS
GEN. TOL. NOT SPECIFIED						FOR Sr. GM G.C.Fy.
LINEAR DIMENSIONS					2015	NAME DATE
0-6 ±0.1						DRN. SANJAY 25/08
6-30 ±0.2						CKD. J.K.KOSTA 26/11
30-120 ±0.3						
120-315 ±0.5						
315-1000 ±0.8						
1000-2000 ±1.2						
ANGULAR DIMENSIONS	INDEX	AMENDMENTS	SIGN	DATE	APPROVED	
0-10° ±1'						
10-50° ±30'						
50-100° ±20'						
>100° ±10'						
UNMACHINED	BRACKET GENERAL			MATERIAL		
ROUGH	DRWG.			SCALE REF.DRG.NO.		
SMOOTH	GUN CARRIAGE FACTORY, JABALPUR			ASSY/SUB ASSY NO. 1144032		
FINISH	DRG. No. 4 081 171			SHEET NO. OF SHEETS		

DRG. No. 6 298 889

ALL DIMENSIONS ARE IN mm UNLESS OTHERWISE STATED



SUPPLIER:- M/S BAE

P.No.	NOMENCLATURE	No. OFF	MATERIAL	HARDNESS	STANDARD	REMARKS
GEN. TOL. NOT SPECIFIED						FOR Sr. GM G.C.Fy.
LINEAR DIMENSIONS						2015 NAME DATE
0-6 ±0.1						DRN. SANJAY 30/07
6-30 ±0.2						CKD. SIDHARATH 12/09
30-120 ±0.3						
120-315 ±0.5						
315-1000 ±0.8						
1000-2000 ±1.2	B62/b1	Supplier M/S BAE added		21.7.20		
ANGULAR DIMENSIONS	INDEX	AMENDMENTS	SIGN	DATE	APPROVED	
0-10° ±1'						
10-50° ±30'						
50-100° ±20'						
>100° ±10'						
~ UNMACHINED	SHOCK ABSORBER					
▽ ROUGH						MATERIAL
▽▽ SMOOTH						SCALE REF.DRG.NO.
▽▽▽ FINISH						ASSY/SUB ASSY NO.
	GUN CARRIAGE FACTORY, JABALPUR					
						SHEET NO. OF SHEETS

1

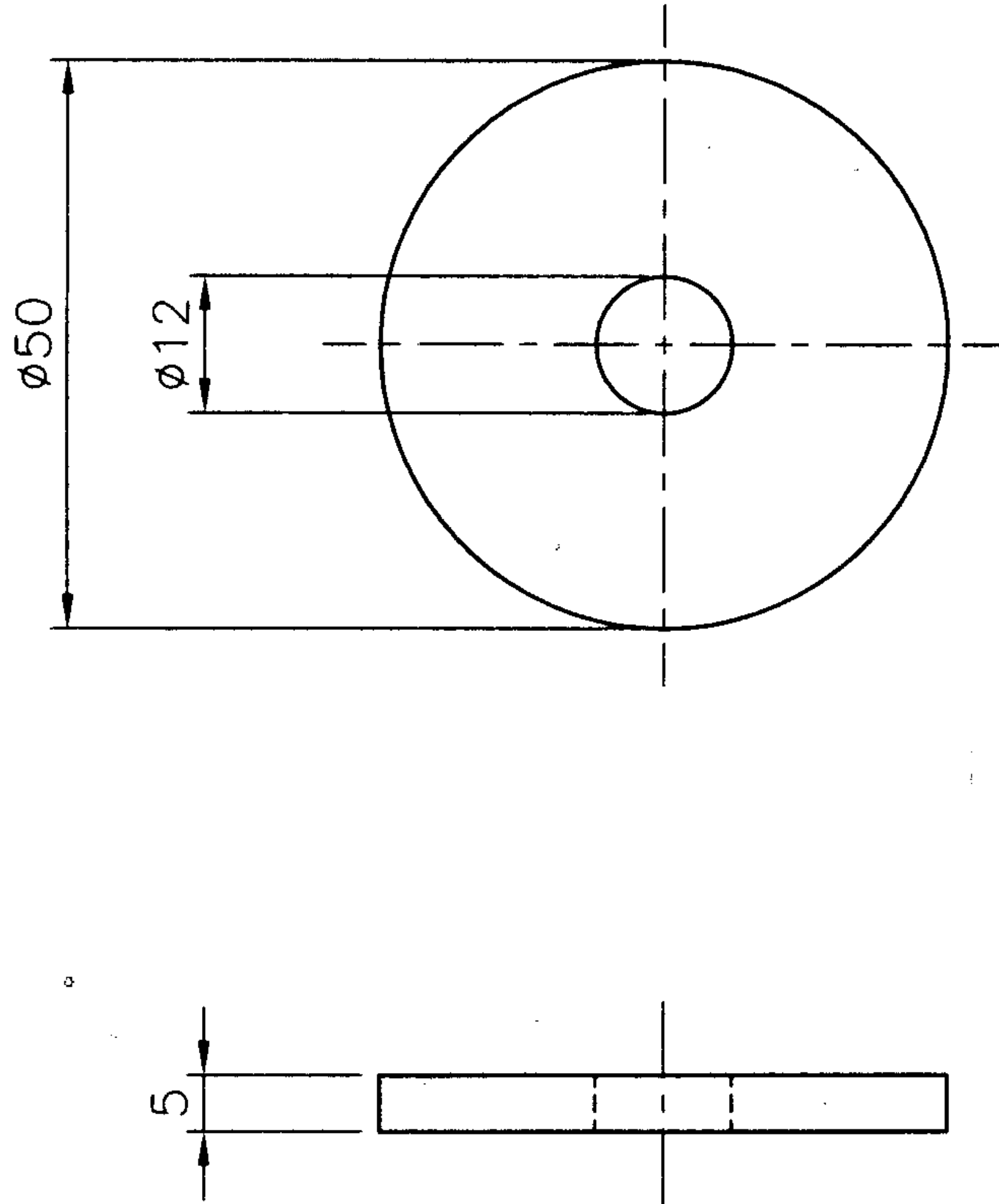
2

3

4

DRG. No. 6 346 715

ALL DIMENSIONS ARE IN mm UNLESS OTHERWISE STATED



SURFACE TREATED: Y3-11-1

SURFACE ROUGHNESS μm $\sqrt{25}$

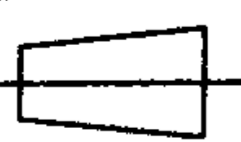


P.No.	NOMENCLATURE	No. OFF	MATERIAL	HARDNESS	STANDARD	REMARKS
GEN. TOL. NOT SPECIFIED						FOR Sr. GM/G.C.Fy.
LINEAR DIMENSIONS						
0-6	±0.1				2015	NAME DATE
6-30	±0.2				DRN.	SOBAN 31/07
30-120	±0.3				CKD.	SIDHARATH 12/09
120-315	±0.5					
315-1000	±0.8					
1000-2000	±1.2					
ANGULAR DIMENSIONS		INDEX	AMENDMENTS	SIGN	DATE	APPROVED
0-10°	±1'					
10-50°	±30'					
50-100°	±20'					
>100°	±10'					
<p>~ UNMACHINED</p> <p>▽ ROUGH</p> <p>▽▽ SMOOTH</p> <p>▽▽▽ FINISH</p>			WASHER			<p>MATERIAL</p> <p>IS:8500-1991, Gde Fe 490 OR</p> <p>IS:2062-2011, Design E 350 A, Killed</p>
			GUN CARRIAGE FACTORY, JABALPUR			<p>SCALE</p> <p>REF.DRG.NO.</p> <p>ASSY/SUB ASSY NO. 1144032</p> <p>DRG. No. 6 346 715</p> <p>SHEET NO. OF SHEETS</p>

DRG. No. 6 351 283

ALL DIMENSIONS ARE IN mm UNLESS OTHERWISE STATED

CHAIN : SPECIFICATION N10-4-3

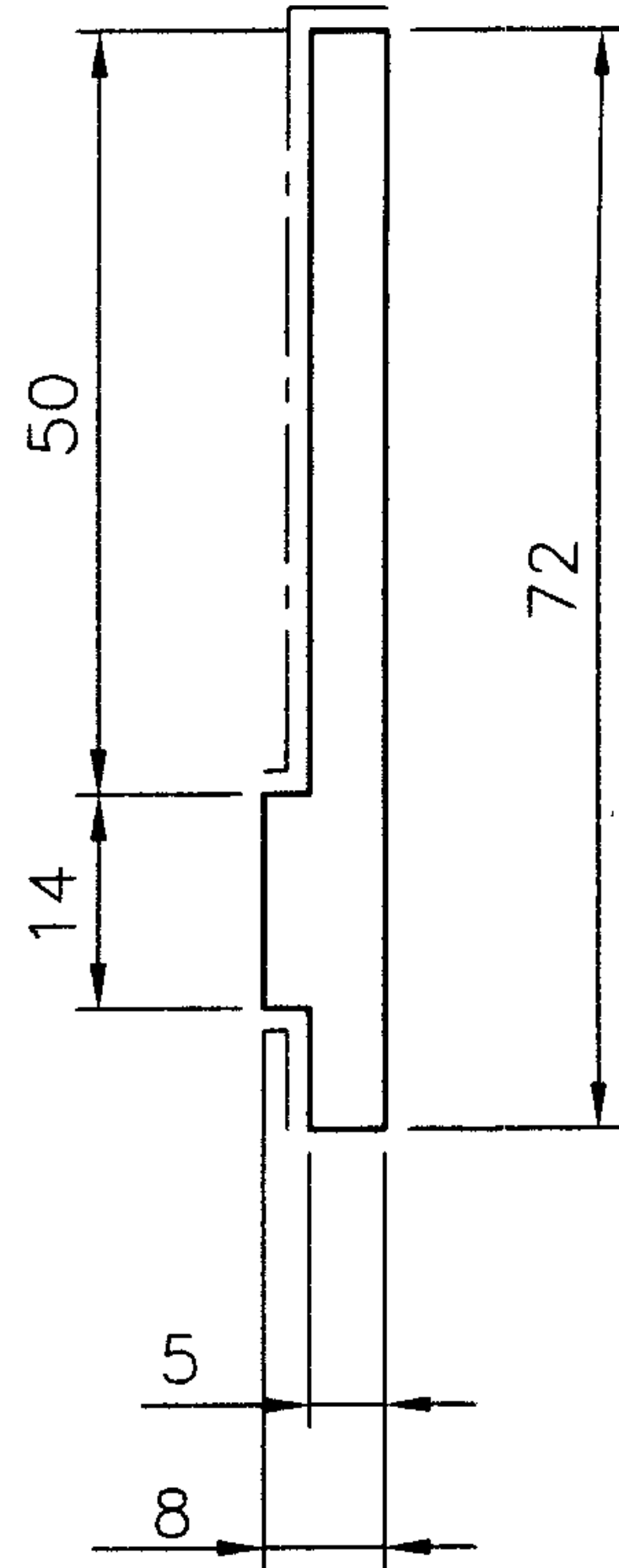
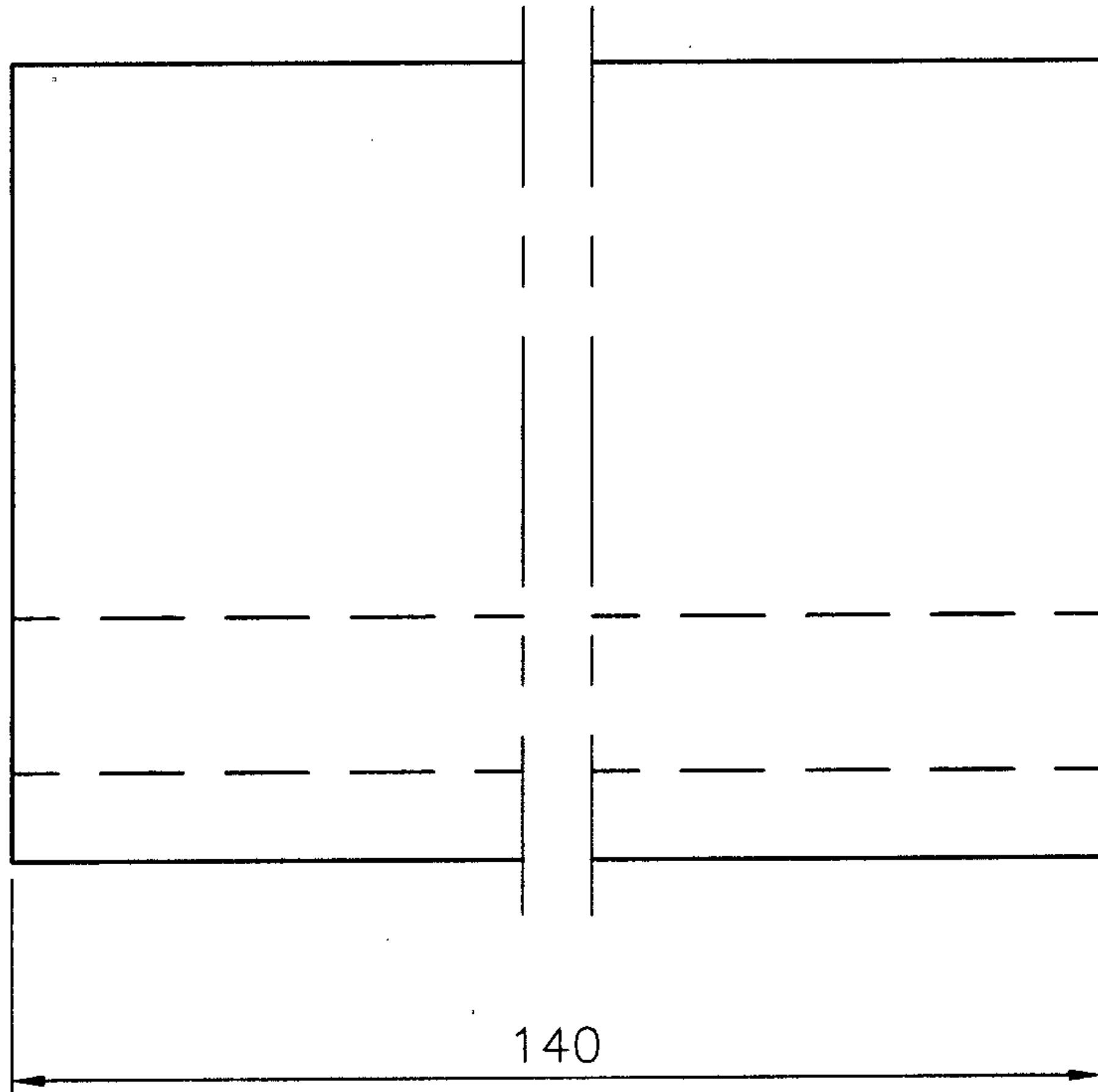
LENGTH : 126mm (12 LINKS)

P.No.	NOMENCLATURE	No. OFF	MATERIAL	HARDNESS	STANDARD	REMARKS
GEN. TOL. NOT SPECIFIED						FOR Sr. GM G.C.Fy.
LINEAR DIMENSIONS						2015 NAME DATE
0-6	±0.1					DRN. SANJAY 04/09
6-30	±0.2					CKD. J.K.KOSTA 26/11
30-120	±0.3					
120-315	±0.5					
315-1000	±0.8					
1000-2000	±1.2					
ANGULAR DIMENSIONS		INDEX	AMENDMENTS	SIGN	DATE	APPROVED
0-10°	±1°					
10-50°	±30'					
50-100°	±20'					
>100°	±10'					
~ UNMACHINED ▽ ROUGH ▽▽ SMOOTH ▽▽▽ FINISH		<h1>CHAIN</h1>			MATERIAL	
 		GUN CARRIAGE FACTORY, JABALPUR			SCALE --- REF.DRG.NO. ASSY/SUB ASSY NO. 1144032  DRG. No. 6 351 283 SHEET NO. OF SHEETS	

DRG. No. 6 354 495

ALL DIMENSIONS ARE IN mm UNLESS OTHERWISE STATED

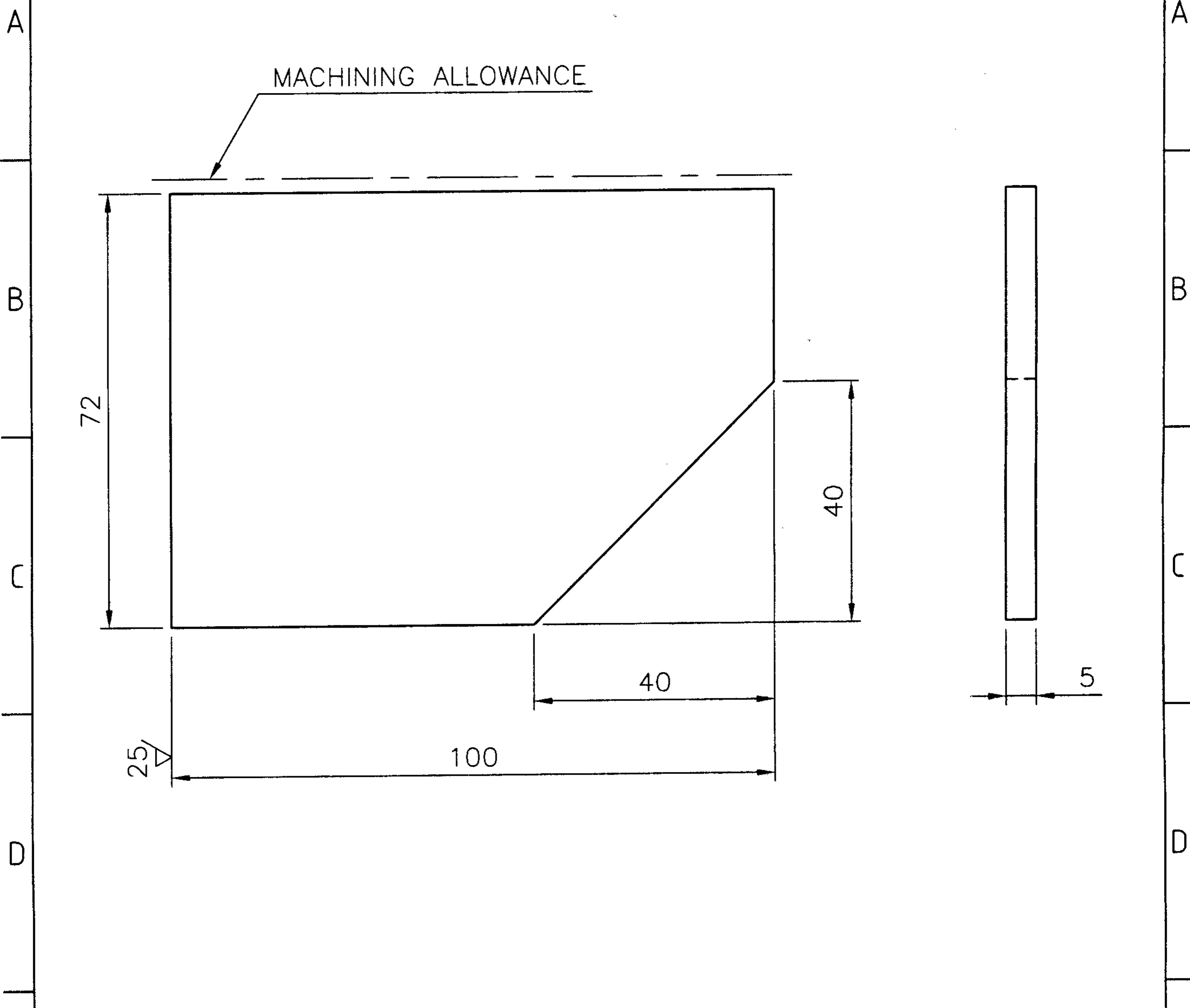
MACHINING ALLOWANCE



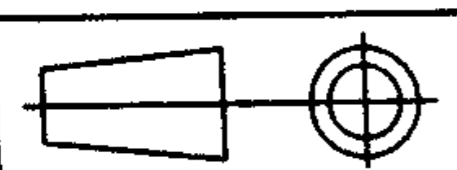
P.No.	NOMENCLATURE	No. OFF	MATERIAL	HARDNESS	STANDARD	REMARKS
GEN. TOL. NOT SPECIFIED						FOR Sr. GM G.C.Fy.
LINEAR DIMENSIONS						
0-6	±0.1				2015	NAME DATE
6-30	±0.2				DRN.	SOBAN 30/07
30-120	±0.3				CKD.	SIDHARATH 12/09
120-315	±0.5					
315-1000	±0.8					
1000-2000	±1.2					
ANGULAR DIMENSIONS		INDEX	AMENDMENTS	SIGN	DATE	APPROVED
0-10°	±1°					
10-50°	±30'					
50-100°	±20'					
>100°	±10'					
~ UNMACHINED		<h1>PLATE</h1>				
▽ ROUGH						
▽▽ SMOOTH						
▽▽▽ FINISH						
		GUN CARRIAGE FACTORY, JABALPUR				MATERIAL IS:8500-1991,Gde Fe 490 OR IS:2062-2011,Design E350 A, Killed , %S & %P Restricted to 0.035 Max Each in both Specn
						SCALE --- REF.DRG.NO.
						ASSY/SUB ASSY NO. 1144032
						DRG. No. 6 354 495
						SHEET NO. OF SHEETS

DRG. No. 6 354 496

ALL DIMENSIONS ARE IN mm UNLESS OTHERWISE STATED

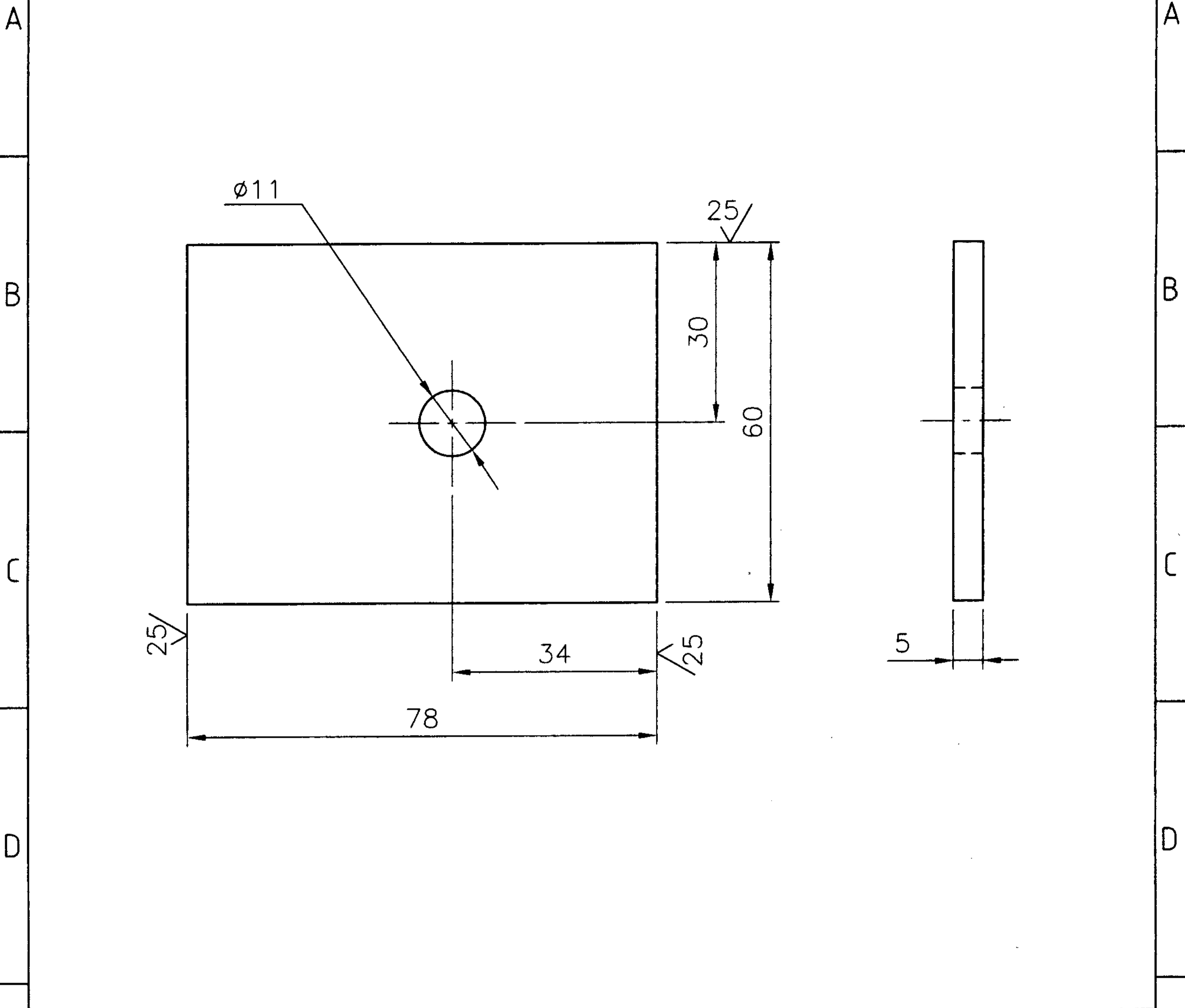


P.No.	NOMENCLATURE	No. OFF	MATERIAL	HARDNESS	STANDARD	REMARKS
GEN. TOL. NOT SPECIFIED						FOR Sr. GM G.C.Fy.
LINEAR DIMENSIONS						2015 NAME DATE
0-6	±0.1					DRN. SOBAN 30/07
6-30	±0.2					CKD. SIDHARATH 12/09
30-120	±0.3					
120-315	±0.5					
315-1000	±0.8					
1000-2000	±1.2					
ANGULAR DIMENSIONS		INDEX	AMENDMENTS	SIGN	DATE	APPROVED
0-10°	±1°					
10-50°	±30'					
50-100°	±20'					
>100°	±10'					
~ UNMACHINED	▽ ROUGH	<h1>PLATE</h1>				
▽▽ SMOOTH						
▽▽▽ FINISH						
MATERIAL		IS:8500-1991,Gde Fe 490 OR IS:2062-2011,Design E350 A, Killed , %S & %P Restricted to 0.035 Max Each in both Specn				
SCALE		REF.DRG.NO.				
ASSY/SUB ASSY NO.		1144032				
GUN CARRIAGE FACTORY, JABALPUR		DRG. No. 6 354 496				
		SHEET NO. OF SHEETS				



DRG. No. 6 354 497

ALL DIMENSIONS ARE IN mm UNLESS OTHERWISE STATED



P.No.	NOMENCLATURE	No. OFF	MATERIAL	HARDNESS	STANDARD	REMARKS
GEN. TOL. NOT SPECIFIED						FOR Sr. GM G.C.Fy.
LINEAR DIMENSIONS						
0-6	±0.1				2015	NAME DATE
6-30	±0.2				DRN.	SOBAN 30/07
30-120	±0.3				CKD.	SIDHARATH 12/09
120-315	±0.5					
315-1000	±0.8					
1000-2000	±1.2					
ANGULAR DIMENSIONS		INDEX	AMENDMENTS	SIGN	DATE	APPROVED
0-10°	±1°					
10-50°	±30'					
50-100°	±20'					
>100°	±10'					
~ UNMACHINED		<h1>PLATE</h1>				
▽ ROUGH						
▽▽ SMOOTH						
▽▽▽ FINISH						
MATERIAL		IS:8500-1991,Gde Fe 490 OR				
		IS:2062-2011,Design E350 A, Killed ,				
		%S & %P Restricted to 0.035				
		Max Each in both Specn				
SCALE		REF.DRG.NO.				

ASSY/SUB ASSY NO.		1144032				
DRG. No. 6 354 497						
SHEET NO.		OF SHEETS				

GUN CARRIAGE FACTORY, JABALPUR

DRG. No. 6 354 497

SHEET NO. OF SHEETS