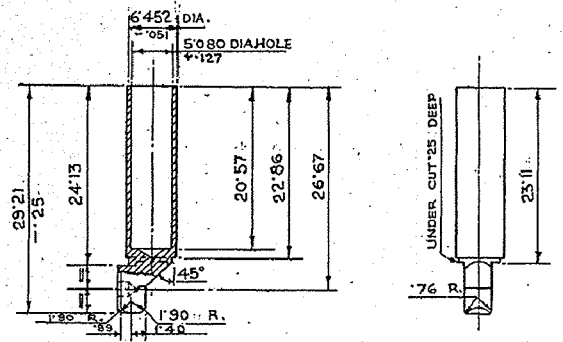
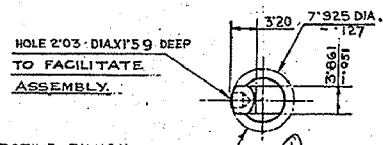


DS. CAT. NO. 1005-001574 FOR EXPLANATION SEE D.D. NOTE SHEET NO. 3 THIRD ANGLE PROJECTION. DIMENSIONS ARE IN MILLIMETRES.



NOTE:-  
 WHERE TOLERANCES ARE NOT SHOWN  
 DIMENSIONS IN WHOLE NUMBER OR WITH  
 ONE DECIMAL PLACE  $\pm 0.27$  mm.  
 DIMENSIONS WITH TWO DECIMAL PLACES  $\pm 0.13$  mm.



ICR-1265

PROTECTIVE FINISH:-  
 PHOSPHATE TO SPECN. WPN/  
 GEN 3 CLASS I. OIL FINISH.  
 HARDNESS:- 350 - 400 HV. (52.5 - 56 HRD.)  
 MATL:- 15: 5517-1993, Design. 40 N1, 10 CrA Mo6  
 BS 970 PT. 2: 1970 Gr. 653 M31 OR  
 Gr. 830 M31 CO OR Gr. 817 M40  
 BS 970 EN 23 OR 27 CO OR EN 24

METRIC

ASSY. DRG. 1005-001569		INSR. INSTRS.	
17.15 28765-SA	NEW MATL. 15: 5517-1993, Design. 40 N1, 10 CrA Mo6	DRAWN.	CHECKED
30.11.77 15402-SA	MATL. WAS BS 970 EN 23 OR 27	TRACED	TRM. CHD.
14.2.77 15028-SA	DRG. SEALED	APPROVED.	
DATE	AUTHY.	ZONE.	NATURE
AMENDMENTS		SIG.	
SEALED:- D.C.(C) 15028-SA, DT. 14.2.77.		DATE 19.6.67	
MATERIAL:- AS STATED.		DESIGNER'S REF.	
PROTECTIVE FINISH:- AS ABOVE		ARDE. 657/200	
ESTIMATED WEIGHT:-		DS. CAT. NO.	
SCALE:-		1005-001574	
PLUNGER EXTRACTOR		CISA. ICHAPUR.	