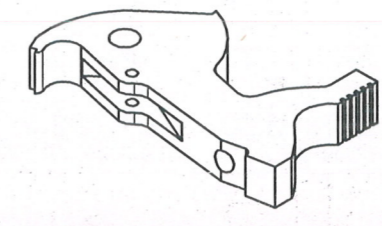
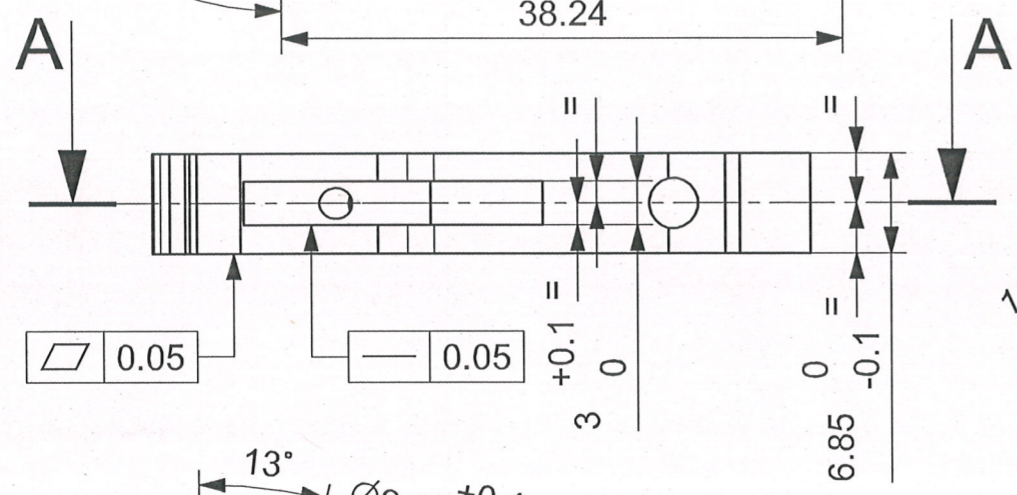


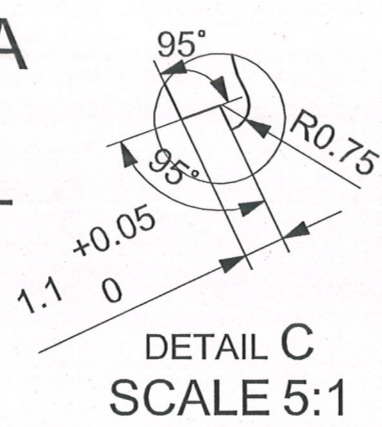
SECTION B-B



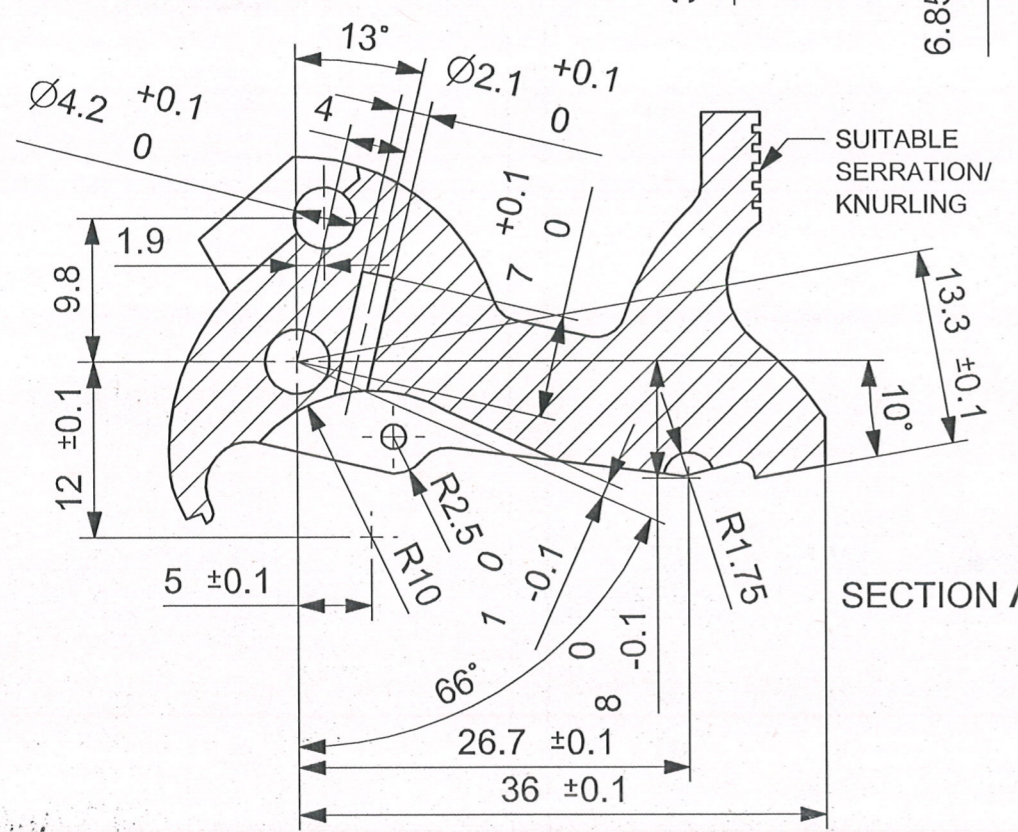
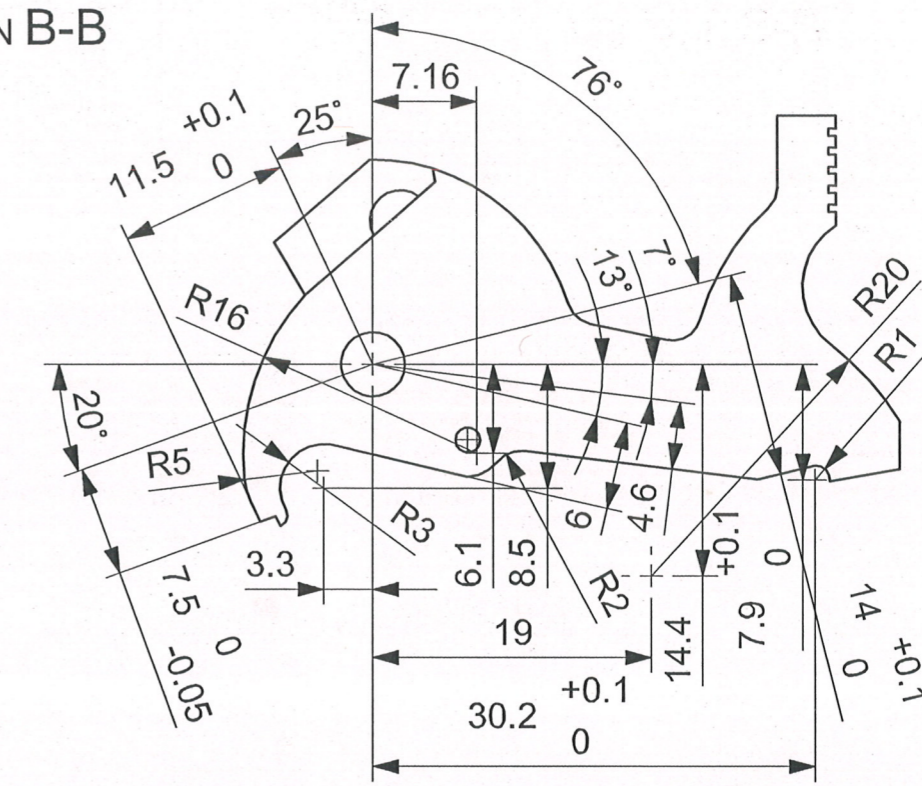
ISOMETRIC VIEW
SCALE 1:1



SECTION A-A



DETAIL C
SCALE 5:1



SECTION A-A

MATERIAL:- STEEL BS970 Pt.1:1983 Gd.655M13 OR En-36

HEAT TREATMENT:- HARDENED & TEMPERED TO 600 - 650 H.V.
WITH CASE DEPTH 0.13 TO 0.26 mm.

PROTECTIVE FINISH:- PHOSPHATED TO SPECN. J.S.S.-0465-01:1988 CLASS II
(ACCELERATED) OIL FINISH.

| | | |
|--|-------------|--|
| REVOLVER.32 (7.65 mm) SIDE SWING HAMMER SCALE 2 : 1 | DESIGNED BY | <i>A.S.RANA</i> A.S.RANA |
| | CHECKED BY | <i>JWM/DDO</i> JWM/DDO |
| | APPROVED BY | <i>WM/DDO</i> WM/DDO |
| | DATE | 23.05.2019 |
| SMALL ARMS FACTORY KANPUR | | DRAWING NO. RV-05/1 SW SHEET 1 OF 1 A3 |

DIMENSIONS ARE IN MM.