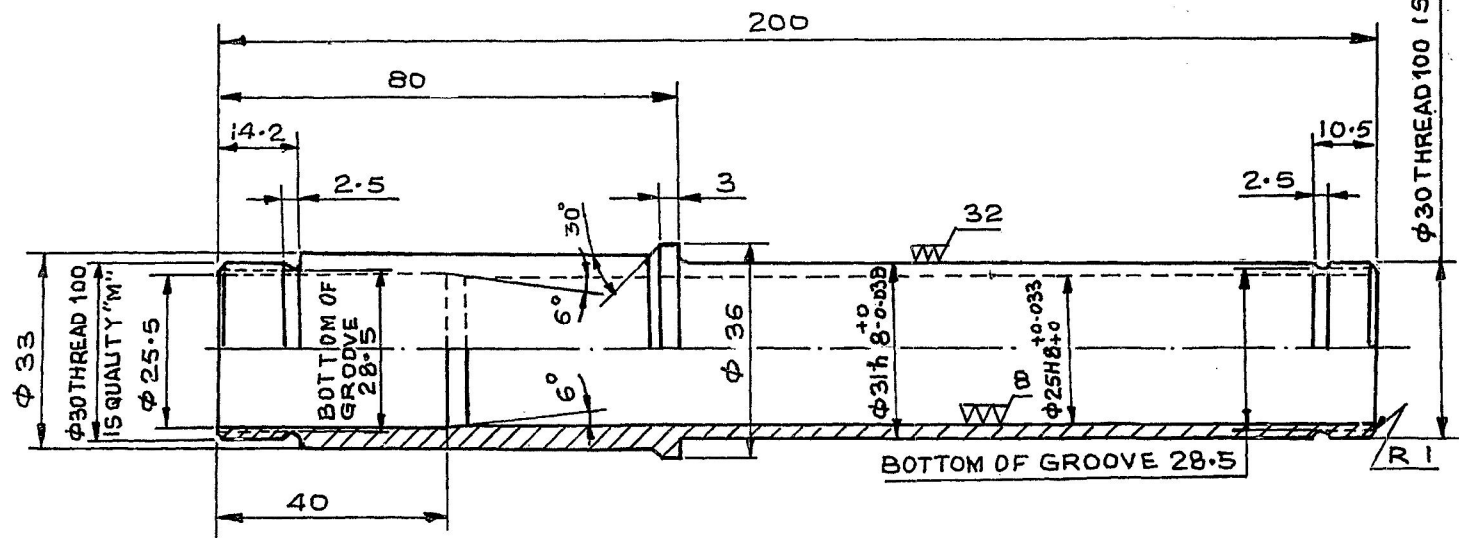


DS CAT No  
**5340-015570**

DRG CONVENTIONS CONFORMS SP: 46-1988, TOLERANCE FOR UNTOLERANCED LINEAR DIMENSIONS REFER IS: 2102 (Med C1.) DIMENSIONS ARE IN mm



NOTE:- IN INDIA SAFETY TREATMENT MOS 2 VARNISH PREPARED AS PER BOFORS SPEC. B-4060 E.

MATL:- BS:970 Pt.1,1983, GRADE 708 M 40 OR 709 M 40 'U' CONDITION.

STATE OF SURFACE W 63

GENERAL MARGINS ±0.1 TILL 10 mm AFTER J13

SAFETY PARCOMOLYKOTA X 106

6-2-17	19572-W	F/5-7	ZONE F/5-7 ADDED & DS CAT No. AMENDED.		
13-3-06	18948-W		SCANNED, NOMEN AMENDED & PRINTED		
DATE	AUTHORITY	ZONE	AMENDMENTS	SIG. AHSP	SIG. DO
PREV DC Nos:- 9536-W, 10362-W, 10495-W, 11443-W, 12421-W, 15055-W, 15217-W, 15377-W 15443-W, 15532-W, 15683-W, 16809-W & 18812-W DATED 22-10-03					
DRG SEALED:- 11443-W DATED 22-2-67					

DRAWN:-	CHD:-	ASSY DRG:- 1015-001482
SCANNED:- <i>fdf</i>	CHD:- <i>KJA</i>	DATE:-
C/D/MAN	DO	FOR CQA(W)
MATERIAL:- 35 CD 4 & AS SHOWN ABOVE		
PROTECTIVE FINISH:-		
<b>GUIDE, TUBE BUFFER</b> 81 mm LIGHT MORTAR गाइड, ट्युब बफर		

<b>CQA(W), JABALPUR</b>	
SCALE:- 1:1	ESTD mass:- 440 gr
DESIGN No.	
PART No. <b>AMG 71638</b>	
DS CAT No. <b>5340-015570</b>	

DO CQA(W)