

02-125



А 00562-72

3

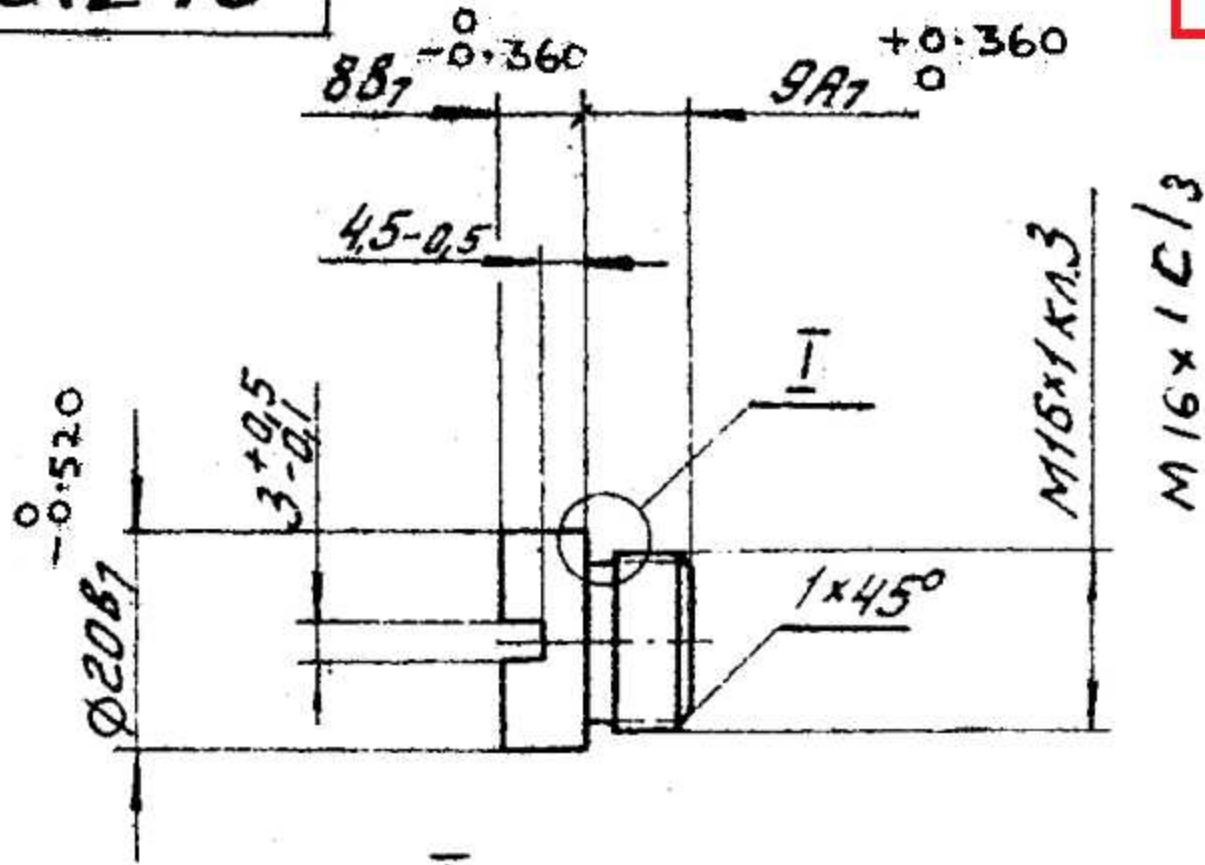
▽3

FIRST ANGLE PROJECTION

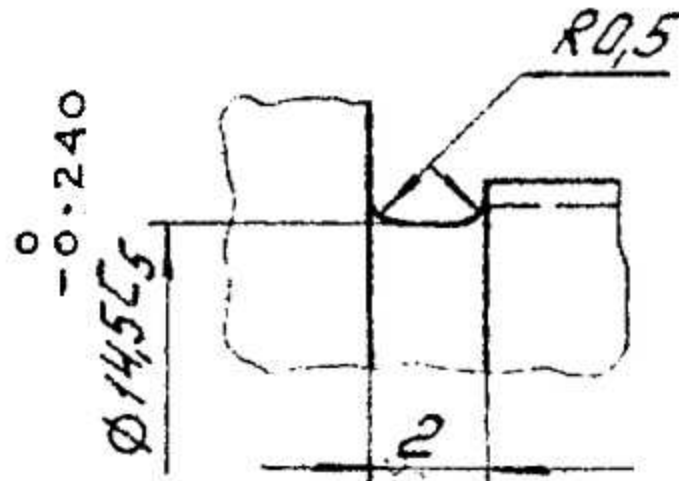
DS.CAT No

5975-001270

ID = 61
01-02-02



$\frac{1}{M5:1}$



ALT MATL:-

FABRIC BASED LAMINATED
GRADE 'A' TO SPECN:
IND/ME/951 (PROV)

1. Position of fibre is along the axis of component.
4. It is allowed to manufacture from moulding material АГ - 4- В GOST 20437-75 or from АГ CB-2P -2M-0 GOST 17478-72, with technical requirements acc. to OST 3-4223-79.

16313-W 22-4-85 DRG SEALED PROV

DS.CAT No

5975-001270

2A26

18B14-W HINDI NOMEN. ADDED.

Handwritten initials

फला
PLUG

02-125

17B42-W ALT MATL AMENDED.

Handwritten initials

SHEET MASS SCALE

ISSUE DATE REFERENCE

1 of 1 0.005 1:1

APPROVED

CHECKED

DRAWN

C.Q.A(AVA)AVADI

17292-W 11-5-92
17068-W 7-5-91
16881-W 2-4-90

ALT MATL & TOL VALUES ADDED.
PROV SEALING CANCELLED & DRG SEALED.

DS.CAT No ADDED.

Соединитель

Дата вступления в силу: 22.04.85

1/4/85
13/4/85
1/8/4/85