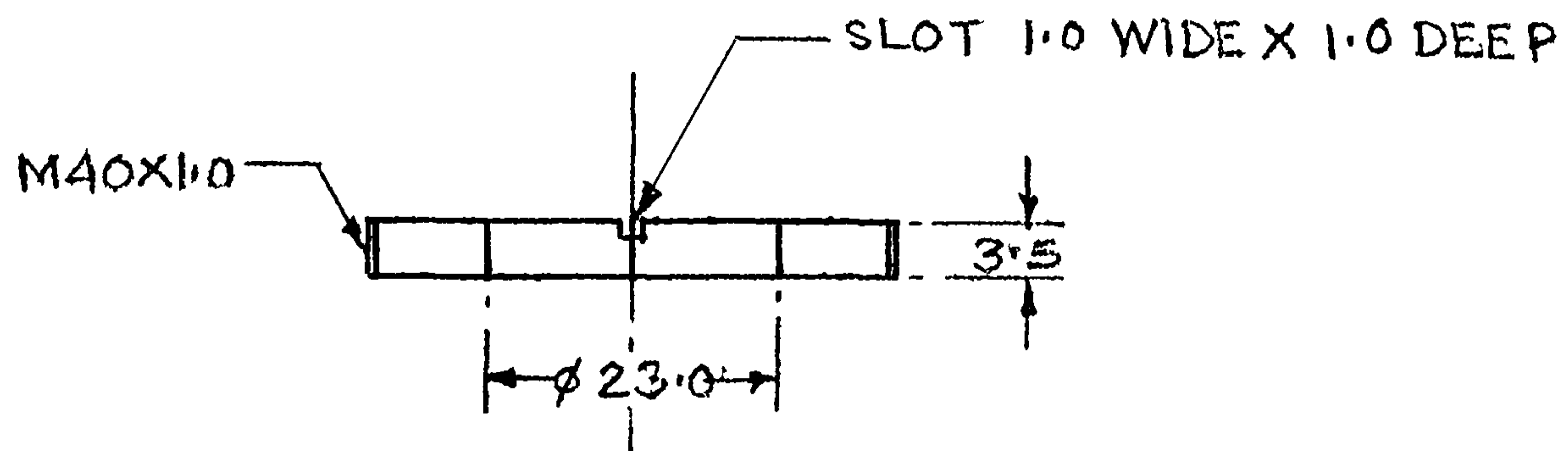
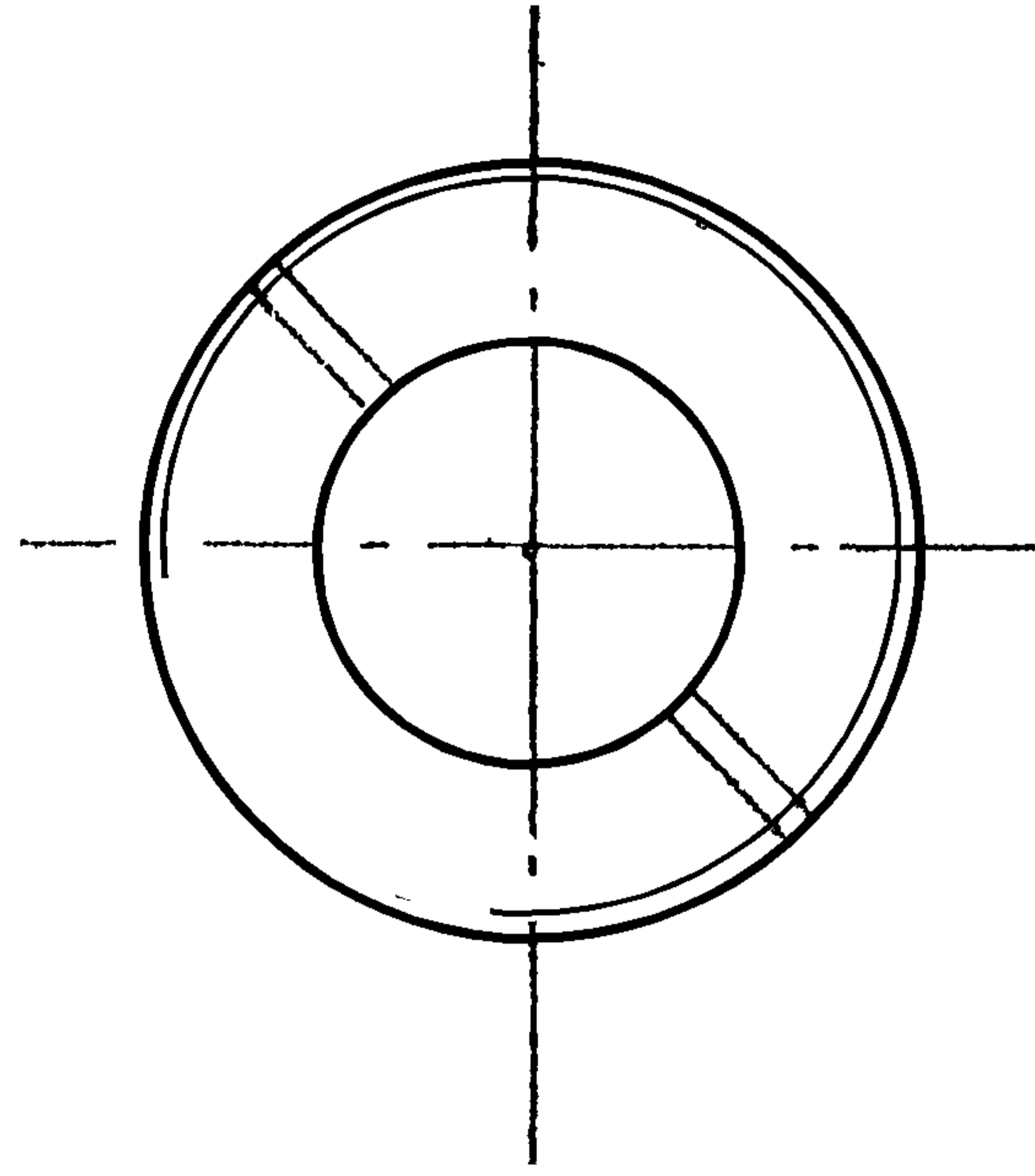


FOR EXPLANATION OF DIMENSIONING Etc. SEE IRDE NOTE SHEET No. 1  
 THIRD ANGLE PROJECTION DIMENSIONS ARE IN MILLIMETRES.



D. C.:- 2109-I(P), 6504-I, 6575-I., 7206-I.

					DRN	KKR	APPROVED
	(b) DC: 7206-I. MATL & FINISH AMENDED.	<i>[Signature]</i>	<i>[Signature]</i>	16.8.18	TRCD		<i>[Signature]</i>
	(a) D C - 6575-I NOM AMENDED & CAT/PT No ADDED	<i>[Signature]</i>	<i>[Signature]</i>	9.12.02	CHKD		for DIRECTOR IRDE, Debra Dun
	D.C.:- 6504-I. DRG. SEALED.	<i>[Signature]</i>	<i>[Signature]</i>	17.7.01	CHKD	<i>[Signature]</i>	Date 06-4-95
	D.C.:- 2109-I (P):- DRG. PROV. SEALED	<i>[Signature]</i>	<i>[Signature]</i>	6.7.98			
SYM	AMENDMENTS	CHKD	SIG	DATE			
MATL & SPECN	AL. ALLOY TUBE IS: 738-1994 DESIG. 24345 CONDITION T.4.				CAT PT. No	5365-131627	(a)
FINISH	ANODIZED, DULL BLACK, AC-15 <sup>To</sup> IS: 1868-1996 <sup>(b)</sup>				DRG. No.	IRDE 2605/28	
TITLE (a) RING, EXTERNALLY THREADED.					SCALE	1:1	SH - OF