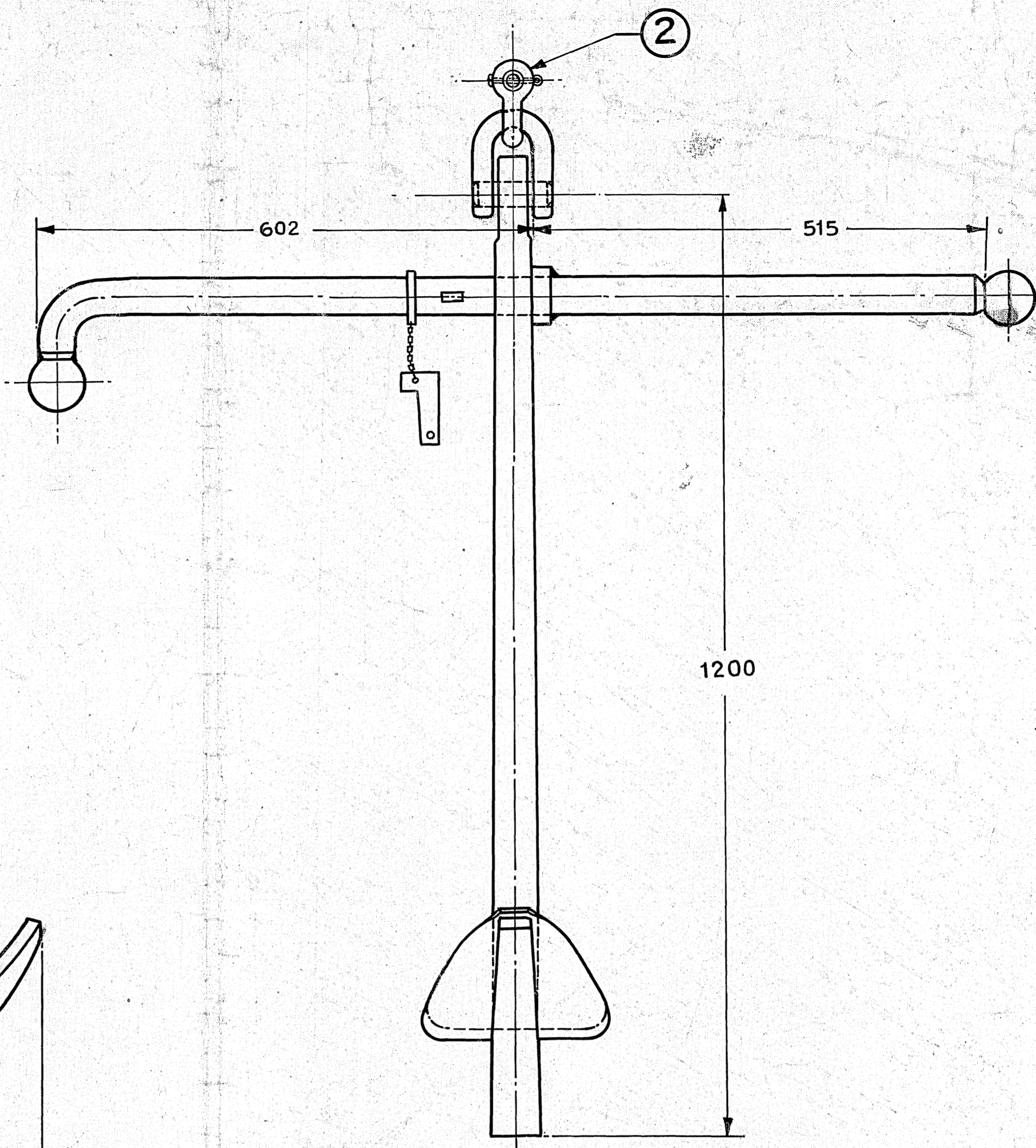
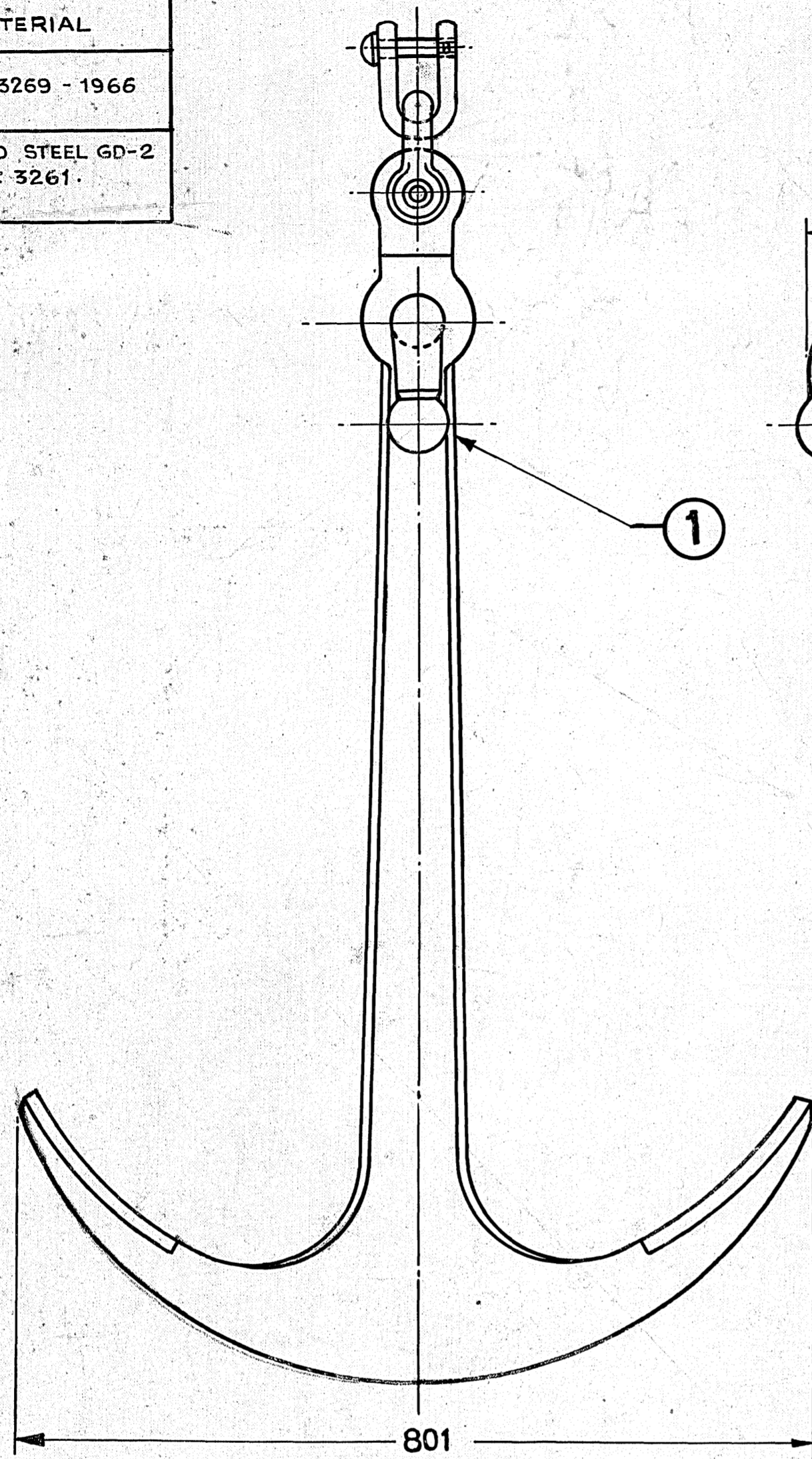


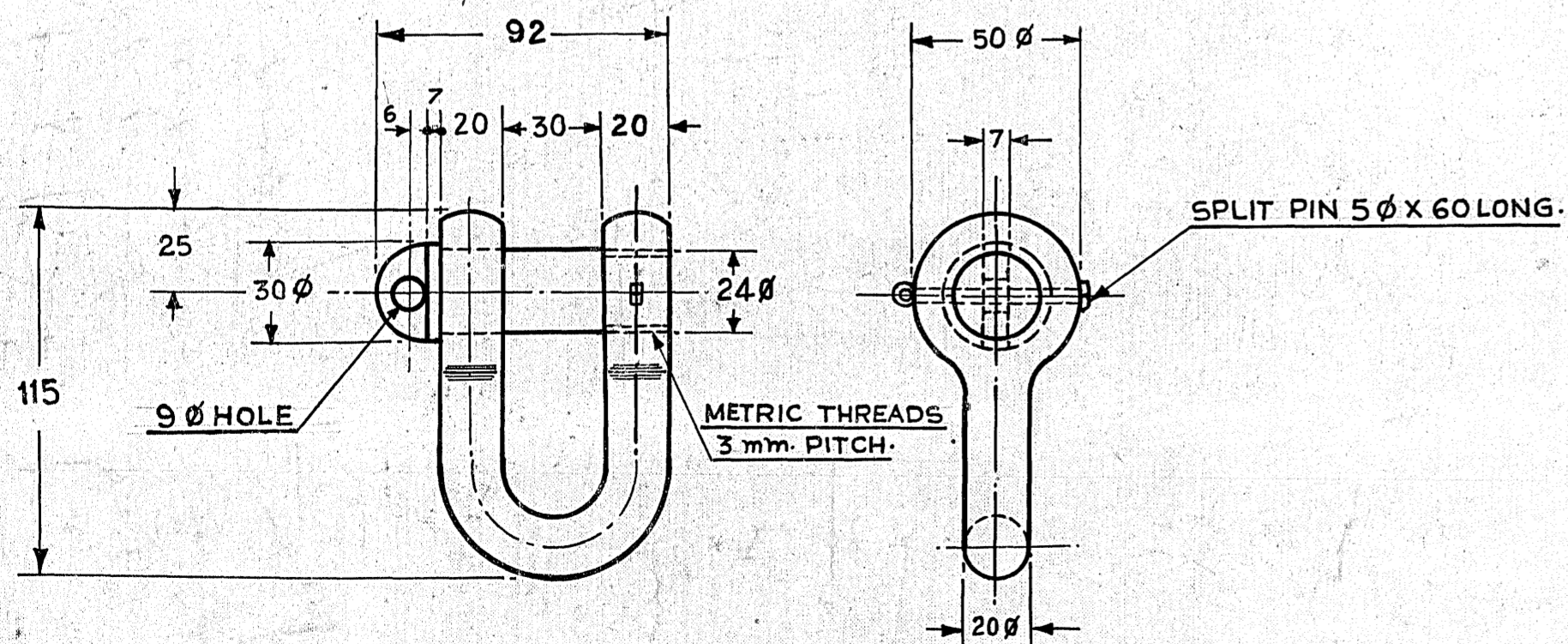
PART LIST

ITEM NO.	NO. TO A SET	NOMENCLATURE	MATERIAL
1	1	STOCK ANCHOR WITH ACCESSORIES 80kg.	TO IS: 3269 - 1966
2	1	SHACKLE WITH SCREWED PIN AND SPLIT PIN.	FORGED STEEL GD-2 TO IS: 3261.



ISK-0301	
AMENDMENTS	
D.C.(I)	NATURE
	DRG. RETRACED FROM DELAPIDATED DRG. <i>Butler</i> 27-11-78 550-II ACIE(DRG)

SUPERSEDES DRG. NO.
ISK - 0273
& 23728



SCALE - 1:2

SHACKLE WITH SCREWED PIN & SPLIT PIN

MATERIAL AS STATED	MACHINING	TREATMENT	FINISH
ALL THREADS TO CONFORM TO SPECN.	SCALE : 1:5 & HALF SCALE.	PERTAINS TO	
ALL SHARPEGES AND CORNERS TO BE ROUNDED OFF.	THIRD ANGLE PROJECTION.		
STAMP PART NO. MANUFACTURER'S NAME & YEAR OF MANUFACTURE	ORIGINAL DATE : 21-8-70		
ALL DIMENSIONS IN mm. UNLESS OTHERWISE SPECIFIED.			
TOLERANCE ON MACHINED DIMENS. UNLESS OTHERWISE SPECIFIED. GENERAL DECIMAL. ANGULAR.			STOCK ANCHOR 80 kg WITH SHACKLE FOR K.M. BRIDGE
DRN Sd/-xxx TCD	CIE DRG. NO. ISK-0301		
CKD Sd/-xxx SL. PSD Sd/-xxx LT.COL O/C. SEC.			
CHIEF INSPECTORATE OF ENGINEER			

C'D/MAN *[Signature]*

CHD BY: *[Signature]*

TCD BY: *[Signature]*