

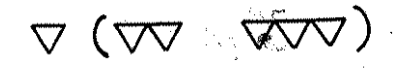
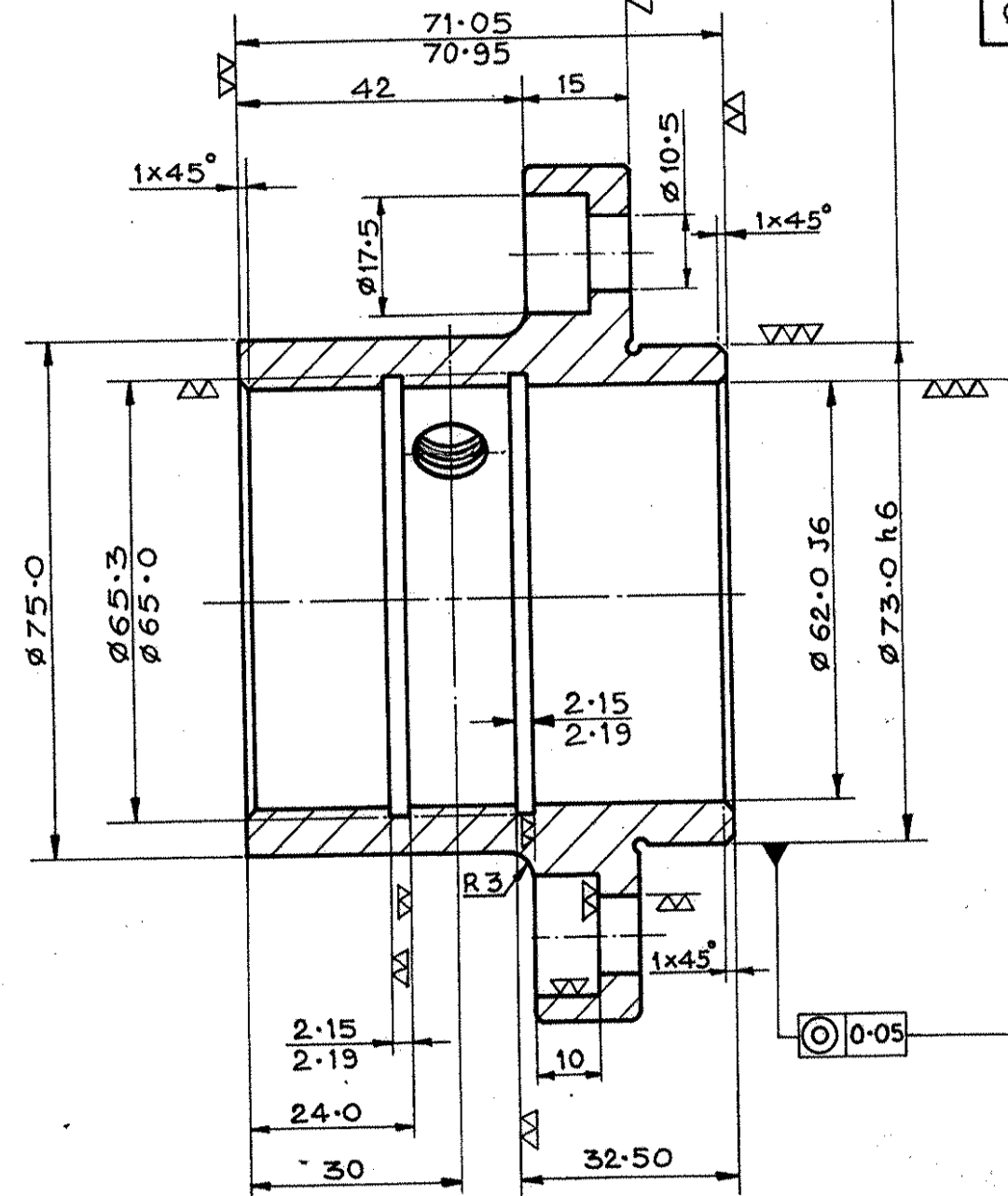
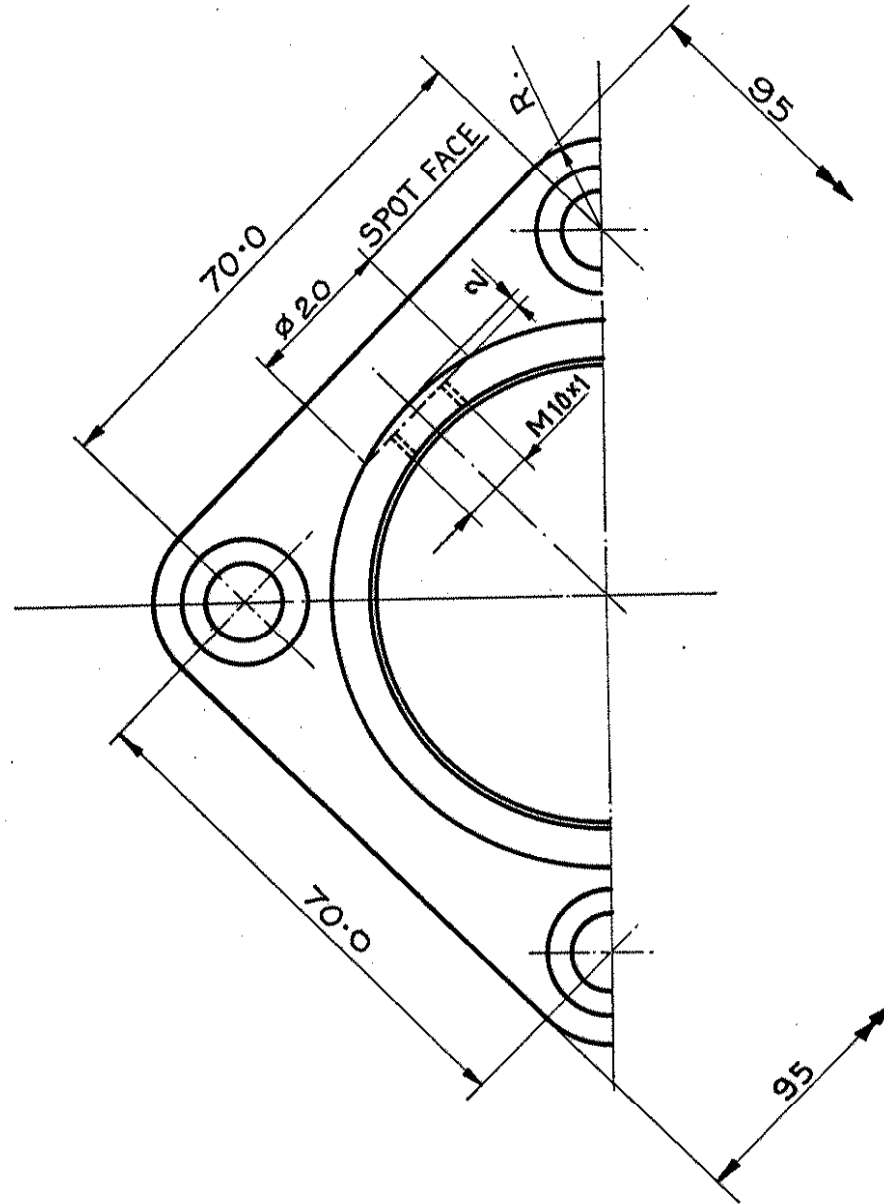
D.S.CAT No.

1015-000527

FOR EXPLANATION OF DIMENSIONING. ETC., SEE ARDE NOTE SHT. No.1,  
DIMENSIONS ARE IN mm.

NOM. SIZE & FIT	DEVIATION
Ø 73.0 h6	-0.019
Ø 62.0 J6	-0.006 +0.013

THREAD CONFORM TO IS:4218.



1-3-02	RETRACED WITHOUT CHANGE	DRN :-	CHD :-	ASSY DRG :- 1015-000525
	PREV. D.CNos. 15961-W & 16095-W/23-12-83	TCD :- S.K. Bagde	CHD :-	DATE :- 18-9-67
DATE	AUTHORITY	ZONE	NATURE	SIG. AHSP
				SIG. DO
AMENDMENTS			C/D'MAN	DO FOR CQA(W)
DRG. SEALED :- 16095-W, DT/ 23-12-83,			MATL :- IS: 617-2280 WP	
			PROTECTIVE FINISH :- TO BE ANODISED AS PER IS: 1868-68 Gy-C.	

CQA(W) JABALPUR



DESIGN No:-

D6P-180304

PART No:-

IFL-7312

D.S.CAT No:-

1015-000527

# HOUSING