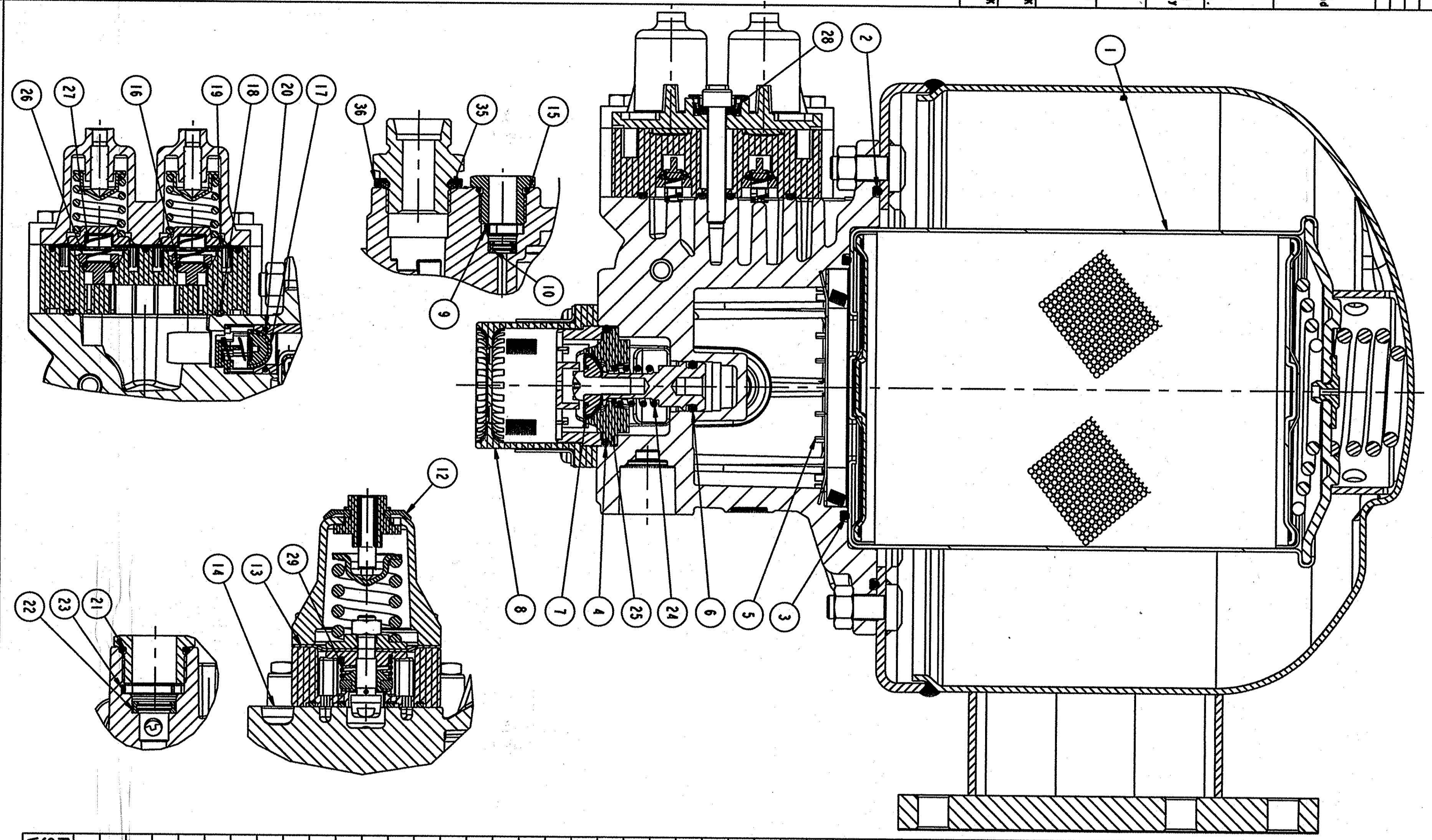
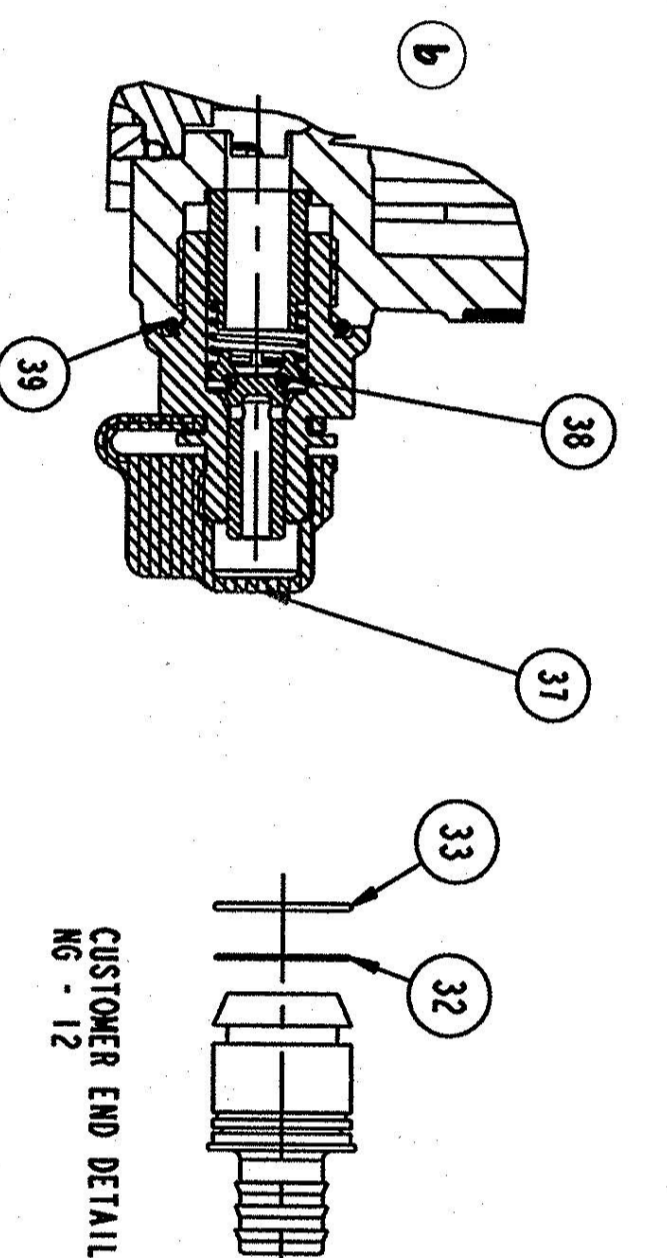


WABCO 64
 FOR USE IN THE FOLLOWING SYSTEMS:
 1. AIR BRAKES
 2. AIR FILTERS
 3. AIR DRYERS
 4. AIR REGULATORS
 5. AIR TANKS
 6. AIR TANK VALVES
 7. AIR TANK CLEANERS
 8. AIR TANK PURGERS
 9. AIR TANK DRAINERS
 10. AIR TANK HEATERS
 11. AIR TANK COOLERS
 12. AIR TANK DEW POINT INDICATORS
 13. AIR TANK PRESSURE REGULATORS
 14. AIR TANK PRESSURE SWITCHES
 15. AIR TANK PRESSURE RELIEF VALVES
 16. AIR TANK PRESSURE LIMITERS
 17. AIR TANK PRESSURE CUT-OFF VALVES
 18. AIR TANK PRESSURE CUT-OFF SWITCHES
 19. AIR TANK PRESSURE CUT-OFF RELAYS
 20. AIR TANK PRESSURE CUT-OFF ALARMS
 21. AIR TANK PRESSURE CUT-OFF INDICATORS
 22. AIR TANK PRESSURE CUT-OFF CONTROLS
 23. AIR TANK PRESSURE CUT-OFF SYSTEMS
 24. AIR TANK PRESSURE CUT-OFF DEVICES
 25. AIR TANK PRESSURE CUT-OFF APPARATUS
 26. AIR TANK PRESSURE CUT-OFF EQUIPMENT
 27. AIR TANK PRESSURE CUT-OFF MACHINERY
 28. AIR TANK PRESSURE CUT-OFF INSTALLATIONS
 29. AIR TANK PRESSURE CUT-OFF STRUCTURES
 30. AIR TANK PRESSURE CUT-OFF BUILDINGS
 31. AIR TANK PRESSURE CUT-OFF FACILITIES
 32. AIR TANK PRESSURE CUT-OFF SERVICES
 33. AIR TANK PRESSURE CUT-OFF OPERATIONS
 34. AIR TANK PRESSURE CUT-OFF ACTIVITIES
 35. AIR TANK PRESSURE CUT-OFF PROCESSES
 36. AIR TANK PRESSURE CUT-OFF PROCEDURES
 37. AIR TANK PRESSURE CUT-OFF METHODS
 38. AIR TANK PRESSURE CUT-OFF TECHNIQUES
 39. AIR TANK PRESSURE CUT-OFF ARTS
 40. AIR TANK PRESSURE CUT-OFF CRAFTS
 41. AIR TANK PRESSURE CUT-OFF TRADES
 42. AIR TANK PRESSURE CUT-OFF VOCATIONS
 43. AIR TANK PRESSURE CUT-OFF OCCUPATIONS
 44. AIR TANK PRESSURE CUT-OFF PROFESSIONS
 45. AIR TANK PRESSURE CUT-OFF INDUSTRIES
 46. AIR TANK PRESSURE CUT-OFF BUSINESSES
 47. AIR TANK PRESSURE CUT-OFF COMPANIES
 48. AIR TANK PRESSURE CUT-OFF FIRMS
 49. AIR TANK PRESSURE CUT-OFF ENTERPRISES
 50. AIR TANK PRESSURE CUT-OFF ESTABLISHMENTS
 51. AIR TANK PRESSURE CUT-OFF ORGANIZATIONS
 52. AIR TANK PRESSURE CUT-OFF INSTITUTIONS
 53. AIR TANK PRESSURE CUT-OFF BUREAUS
 54. AIR TANK PRESSURE CUT-OFF OFFICES
 55. AIR TANK PRESSURE CUT-OFF DEPARTMENTS
 56. AIR TANK PRESSURE CUT-OFF DIVISIONS
 57. AIR TANK PRESSURE CUT-OFF SECTIONS
 58. AIR TANK PRESSURE CUT-OFF BRANCHES
 59. AIR TANK PRESSURE CUT-OFF DIVISIONS
 60. AIR TANK PRESSURE CUT-OFF OFFICES



REP KIT - REPAIR KIT CONSIST OF ITEMS SHOWN

ITEM No.	TM PART No.	SCL PART No	DESCRIPTION	QTY.
1	2832 4370 01 17	M311700	RESEALANT CARTRIDGE	1
2	2782 4370 77 16	M323800	SEALING RING	1
3	2782 4370 77 17	M323900	SEALING RING	1
4	2841 4370 77 15	M324000	SEALING RING	1
5	2841 4370 99 15	M312500	FILTER RETAINER	1
6	2841 4370 77 03	M320700	SEALING RING	1
7	2841 4370 90 08	M311800	VALVE	1
8	2782 4370 99 03	M312100	SILENCER ASSEMBLY	1
9	2782 4370 87 02	M323700	RETAINING CLIP NG-8	1
10	2782 4370 87 02	M323700	SPRING ELEMENT NG-8	1
11	2782 4370 77 18	M323760	SEALING RING NG-8	1
12	2841 4370 77 08	M324600	EXHAUST FLAP	1
13	2841 4370 90 03	M310800	VALVE	1
14	2841 4370 77 21	M346700	DIAHRAMON	1
15	2841 4370 77 21	M341200	GASKET	1
16	2782 4370 77 19	M328200	SEALING RING	1
17	2782 4370 77 20	M323940	SPECIAL WASHER	1
18	2841 4370 77 17	M312600	SEALING RING	6
19	2841 4370 90 10	M312950	VALVE	1
20	2841 4370 77 16	M341210	GASKET	1
21	2782 4370 77 21	M316000	DIAPHRAMON	1
22	2782 4370 77 22	M327900	SEALING RING NG-12	1
23	2782 4370 87 02	M323700	RETAINING CLIP	4
24	2782 4370 87 02	M323700	SPRING ELEMENT	4
25	2782 4370 87 02	M323700	SEALING CLIP	4
26	2841 4370 87 04	M335010	COMPRESSION SPRING	1
27	2782 4370 90 02	M341170	VALVE SEAT	1
28	2841 4370 90 09	M339900	VALVE	6
29	2841 4370 87 13	M312040	LIP SEAL	7
30	2841 4370 77 19	M329010	INLET VALVE SPRING	1
31	2782 4370 77 23	M335800	SEALING RING NG-12	4
32	2782 4370 77 24	M335900	SEALING RING NG-8	1
33	2782 4370 77 25	M336000	SEALING RING NG-8	1
34	2782 4370 77 26	M336100	SEALING RING NG-8	1
35	2841 4370 99 14	M325600	GREASE SLEEVE	2
36	2841 4370 99 14	M325600	GREASE SLEEVE	2
37	2841 4370 99 14	M325600	GREASE SLEEVE	2
38	2841 4370 99 14	M325600	GREASE SLEEVE	2
39	2841 4370 99 14	M325600	GREASE SLEEVE	2

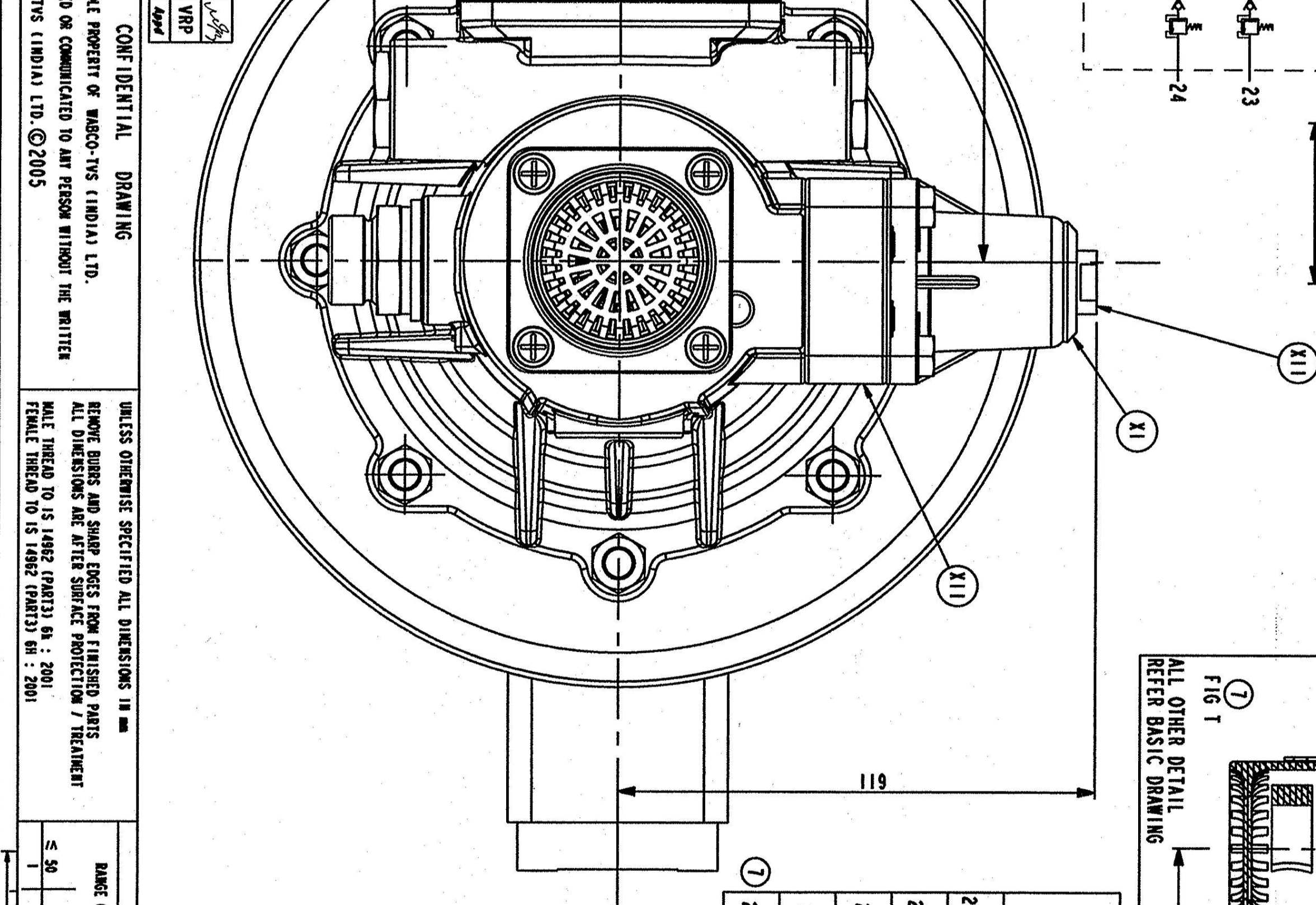
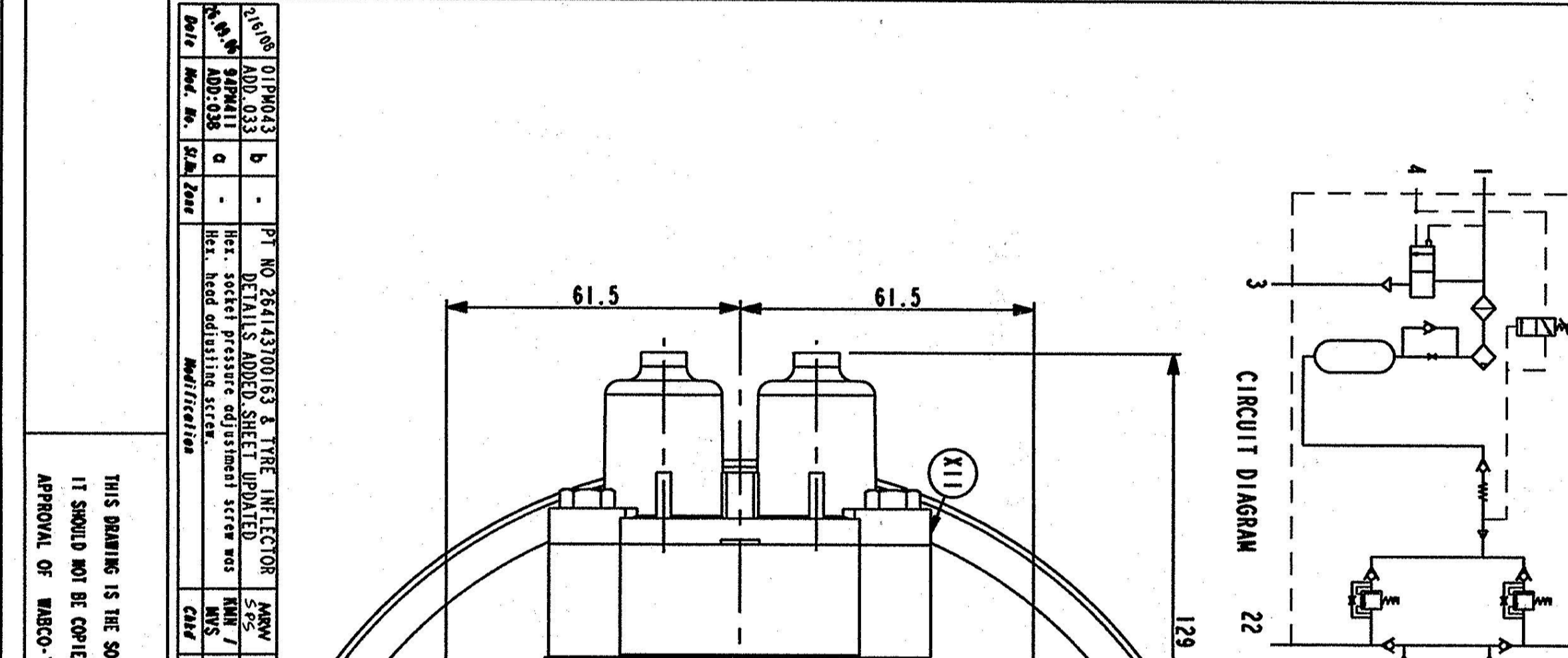
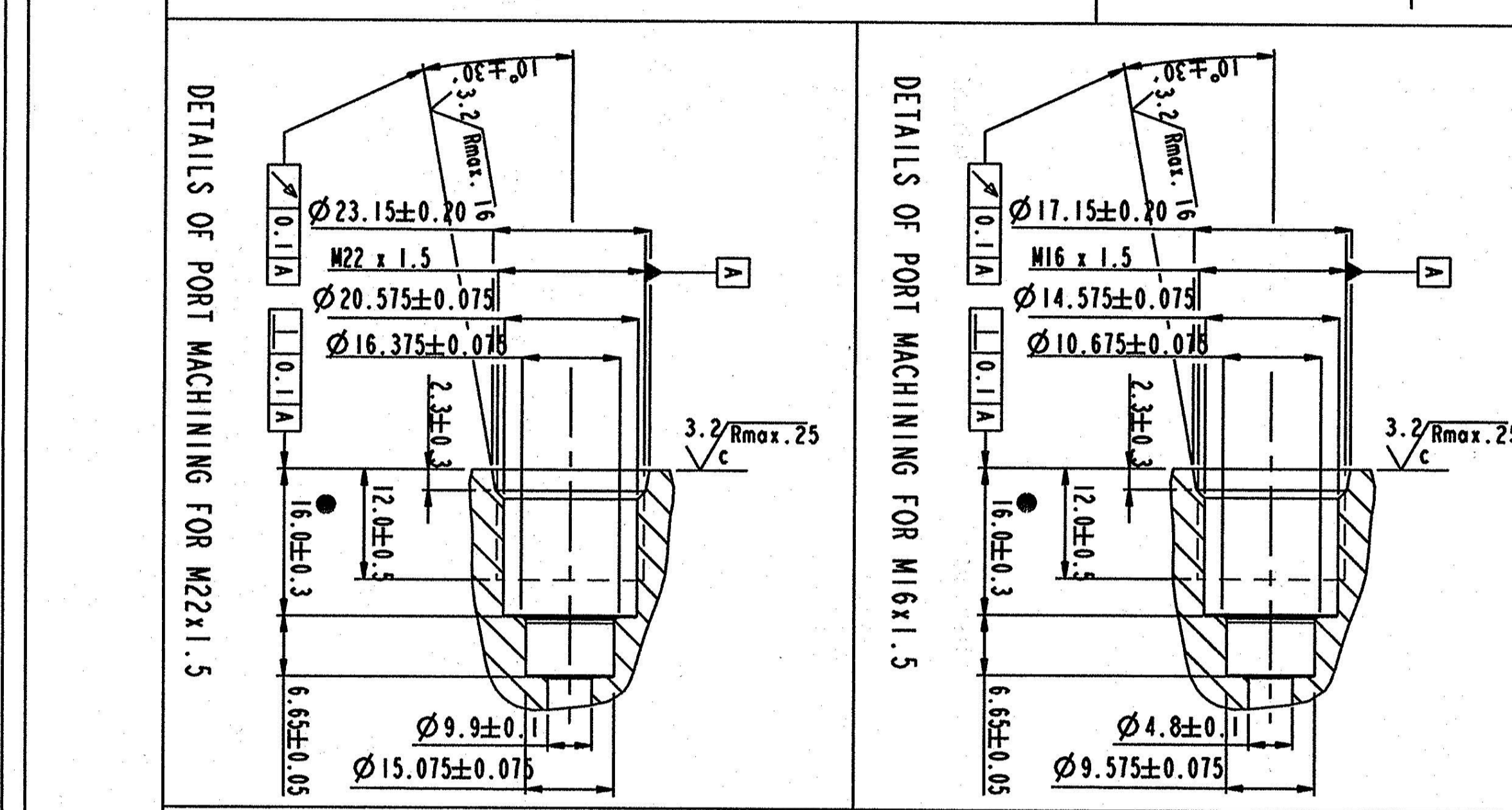
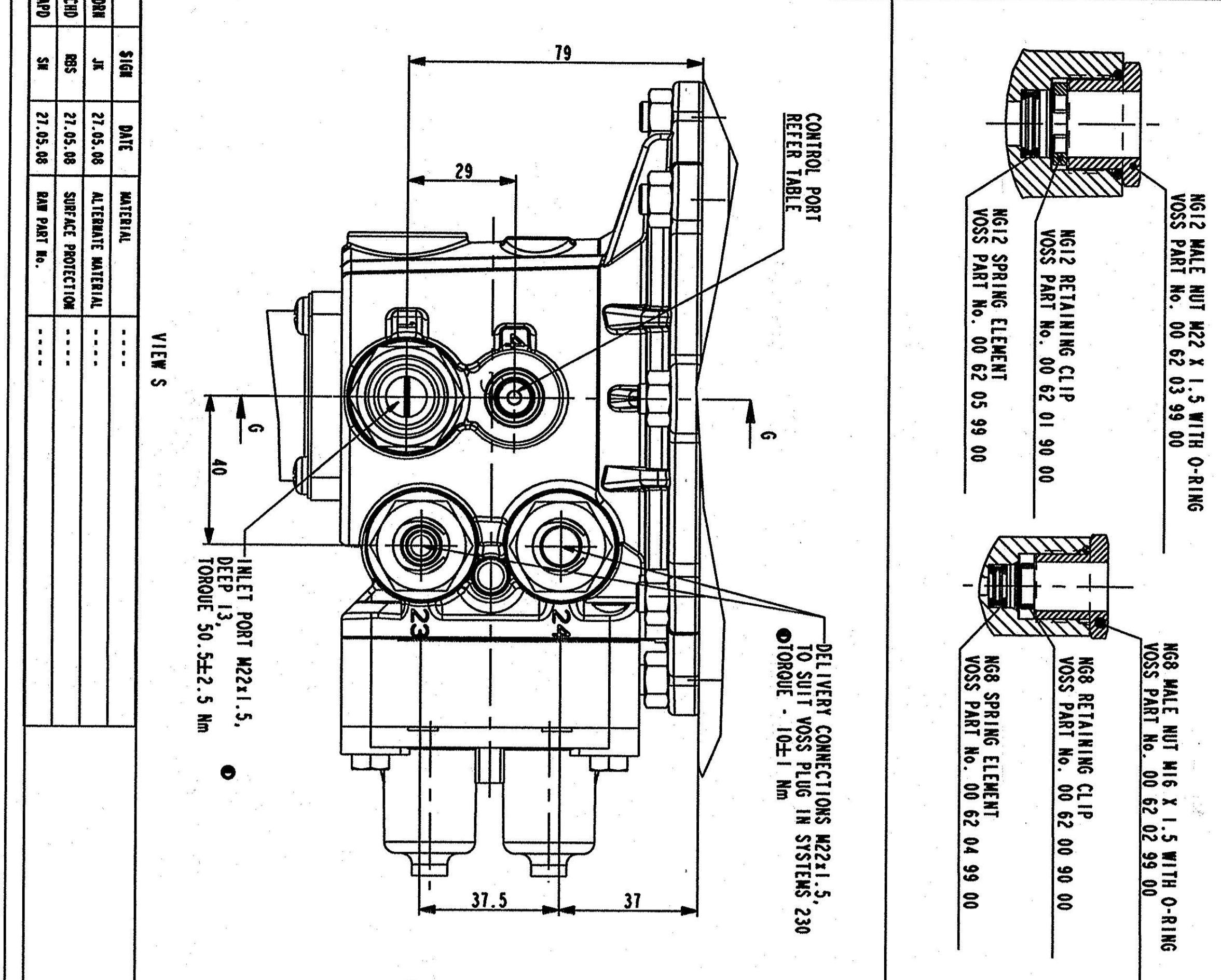
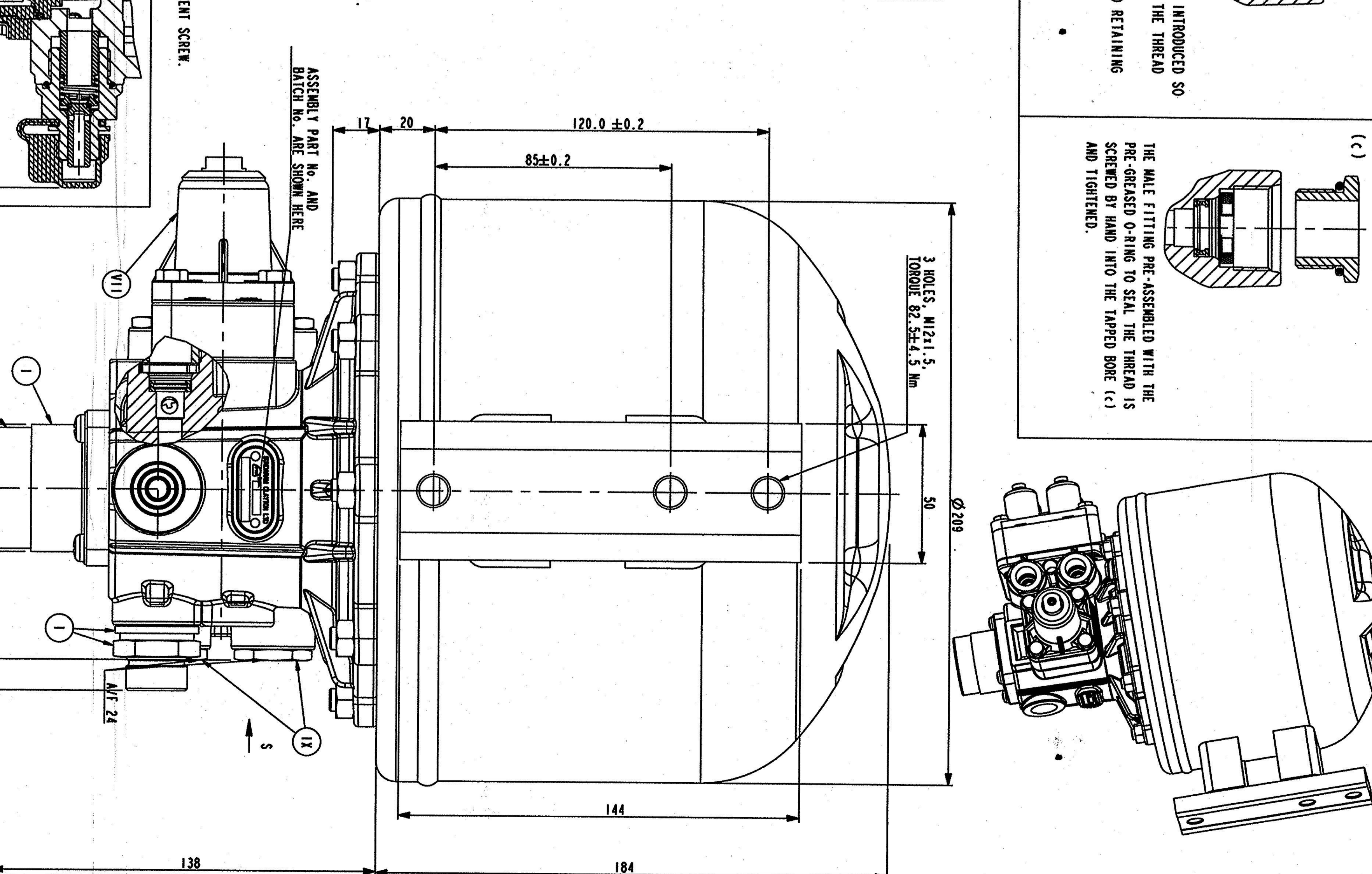
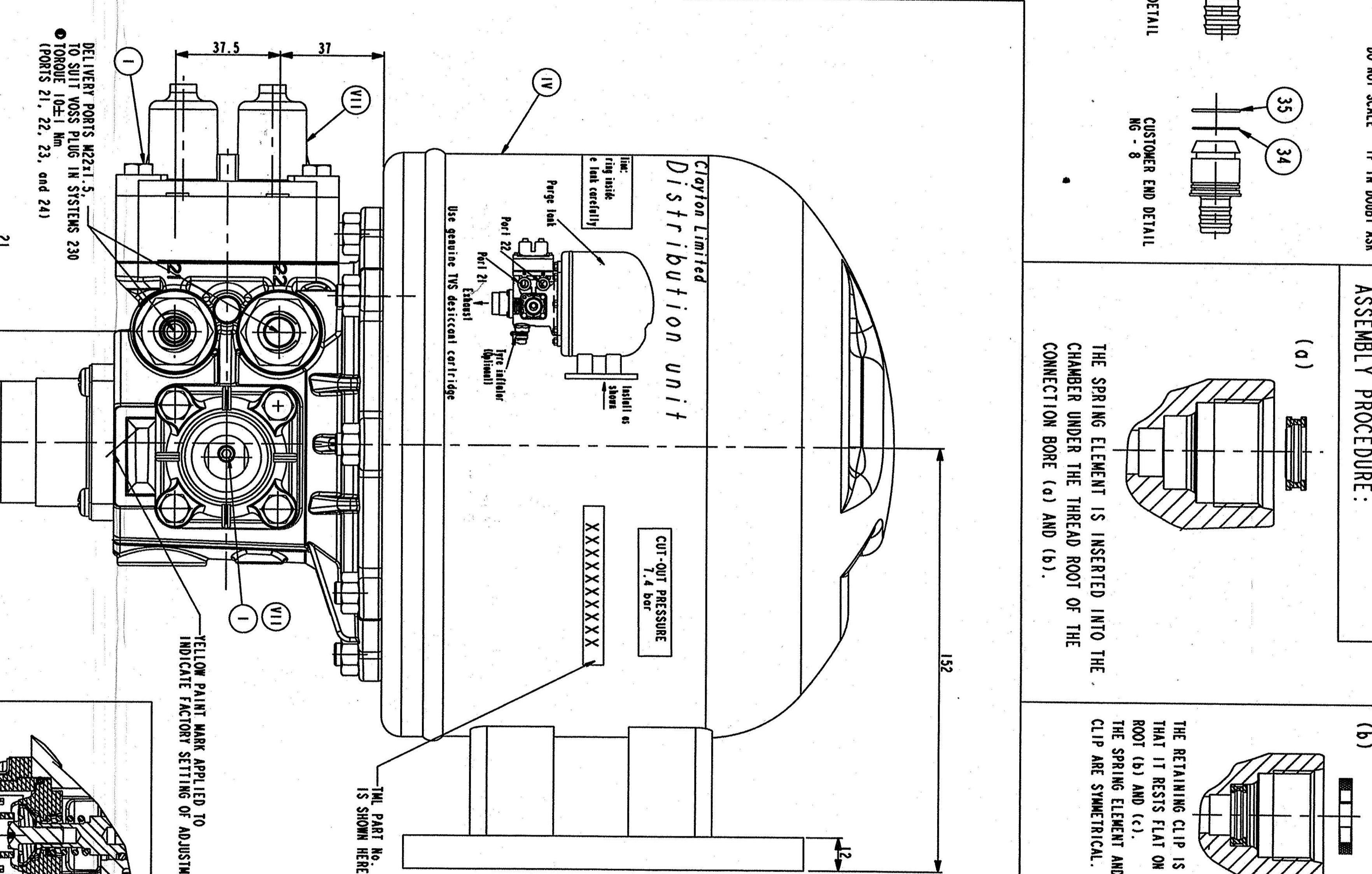


ASSEMBLY PROCEDURE:

(a) THE SPRING ELEMENT IS INTRODUCED INTO THE CHAMBER UNDER THE THREAD ROOT OF THE CONNECTION BORE (a) AND (b).

(b) THE RETAINING CLIP IS INTRODUCED SO THAT IT RESTS FLAT ON THE THREAD ROOT (b) AND (c). THE SPRING ELEMENT AND RETAINING CLIP ARE SYMMETRICAL.

(c) THE MATE FITTING PRE-ASSEMBLED WITH THE PRE-CAST O-RING TO SEAL THE THREAD IS SCREWED BY HAND INTO THE TAPPED BORE (c) AND TIGHTENED.



TM Dwg. No.: 2643 4370 04 02

TM PART No.	ASSY No.	CUT OUT CUT IN	DYNAMIC OPENING PRESSURE	RETAINING PRESSURE (bar)	CONTROL PORT	INFLATOR CONNECTION
2643 4370 01 28M	M305440	7.4	6.2	6.5	6.2	6.2
2643 4370 01 23M	M305442	7.4	6.2	6.5	6.2	6.2
2643 4370 01 24M	M305441	8.1	6.9	7.2	7.2	6.9
2643 4370 01 23M	M305443	8.1	6.9	7.2	7.2	6.9
2641 4370 01 63M	M305444	8.1	6.9	7.2	7.2	6.9

NOTES:

- PRODUCT SPECIFICATION No. (ISSUE No. & DATE: 03.08.07)
- MINIMUM PRESSURE DIFFERENCE BETWEEN CUT-OUT AND CUT-IN PRESSURE
- BLOW OFF PRESSURE
- EQUAL VALVE FLOW DIAMETER
- HIGHEST LEVEL WHEN TESTED AS PER PSC 162C
- THERMAL RANGE OF APPLICATION
- QUALITY COMPLIANCE TESTS WILL BE CARRIED OUT REQUANT
- AS PER CLAUSE No. 18 OF PSC 162C
- SERVICE LIFE TO FIRST OVERHAUL - 3 YEARS/ 30000 KM WHICHEVER IS EARLIER IF FITTED AS PER RECOMMENDED LAYOUT.
- OPEN PORTS/MATE THREADS ARE FITTED WITH CLOSURE PLUGS/ SLEEVE FOR STORAGE AND TRANSPORT PURPOSES

GENERAL TOLERANCES:

SCALE: 1:1

DRYING AND DISTRIBUTION UNIT

WABCO - TVS (INDIA) LIMITED

PART No. M305440 etc