

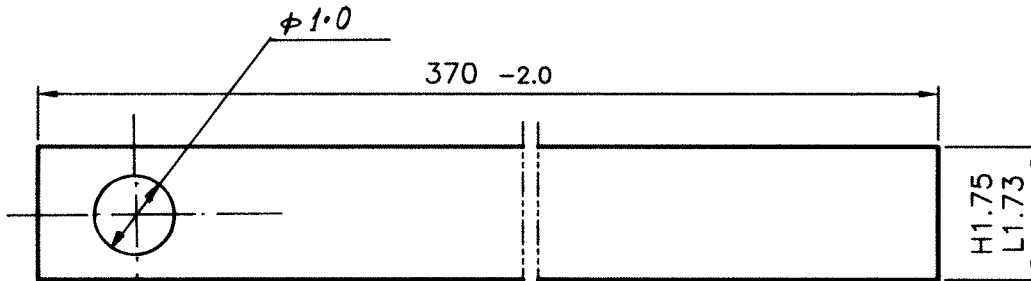
DRG. NO : FS-2480 'B'

A M E N D M E N T S

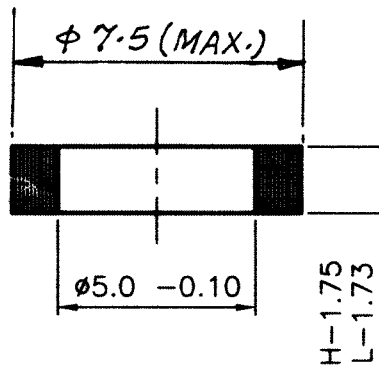
TOLERANCE ON UNTOLERATED DIMNS. ARE AS PER IS: 2102, MEDIUM CLASS

PROVISIONAL

REV.	DATE	DESCRIPTION	SIGN.
1/6 2005	24.5 05	TOL. ON THICKNESS OF STRIP & DIMN. OF THE OUTER DIA ADDED. DRG. ADV. TO 'A'	JT-GM/R&D
16 06	12.01 06	ALT. MATERIAL & NOTE ADDED. DRG. ADV. TO 'B'	JW AMM/R&D



1.5 STRIP LENGTH = 370 -2.0
 STRIP THICKNESS = 0.05 +0.01
 SCALE 10:1



NOTE:- HOLE DIMENSION ϕ 1.0 IS OPTIONAL FOR MANUFACTURING.

MATERIAL: BS:2870-1980, GRADE CZ107 IN 'H' CONDITION.
 ALT. MATERIAL: BS:2870-1980 GRADE CZ106 IN 'H' CONDITION.



DIMENSIONS ARE IN mm			MATERIAL : AS ABOVE		ORDNANCE FACTORY AMBAJHARI
THIRD ANGLE PROJECTION			NOMENCLATURE :		
SCALE : 5 : 1			SPIRAL		DRG. NO :
2004	NAME	DATE			FS-2480 'B'
DRAWN	<i>Primal</i>	02/03/04			SHEET NO : 1
REDRAWN					NO. OF SHEETS : 1
CHECKED	<i>Primal</i>	03/03/04			OPERATION NO :
JWM/CDD	<i>Primal</i>	03/03/04			COMPT. : FUZE M859
APPVD.	JGM/R&D	<i>se</i>	03/03/04	MACHINE :	
				STORE :	
				AMMN. 20mm AMR SAPHEI	