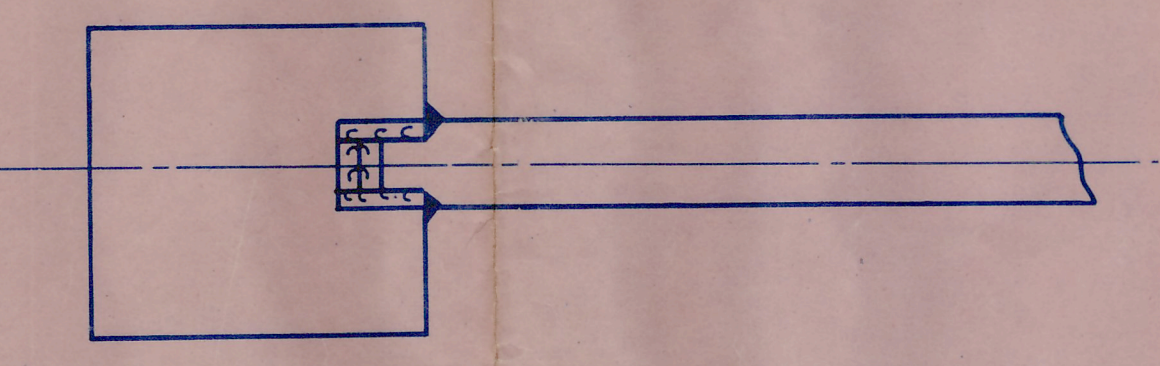
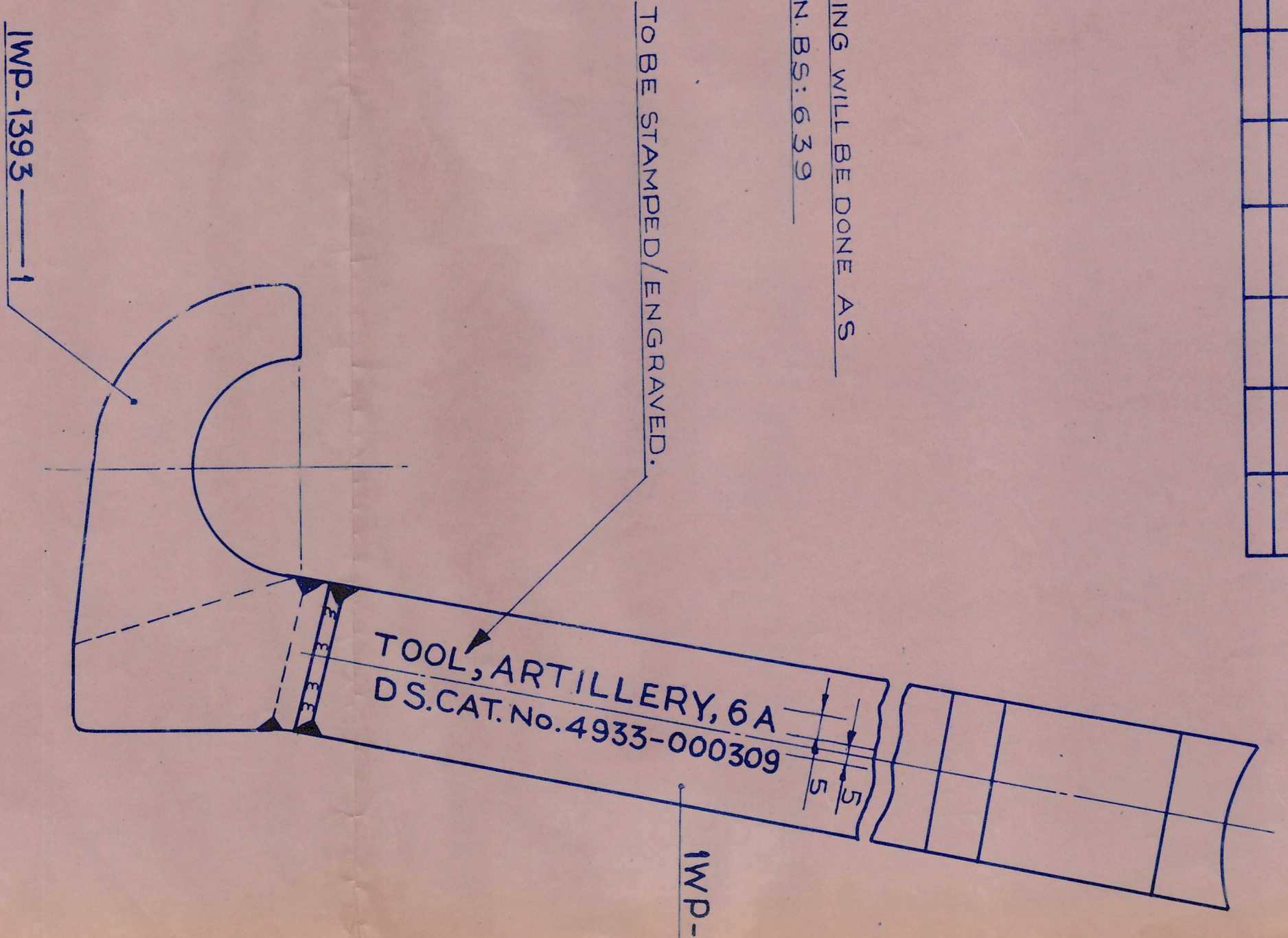


DS CAT No. 4933-000309

FOR EXPLANATION OF DIMENSIONING, ETC. SEE ARDE
NOTE SHIT No. 1 m. UNLESS OTHERWISE STATED.
DIMNS. ARE IN m.

--	--	--	--	--	--	--	--	--	--	--	--	--	--	--	--	--	--	--	--	--

NOTE:
ALL WELDING WILL BE DONE AS
PER SPECN. BS: 639



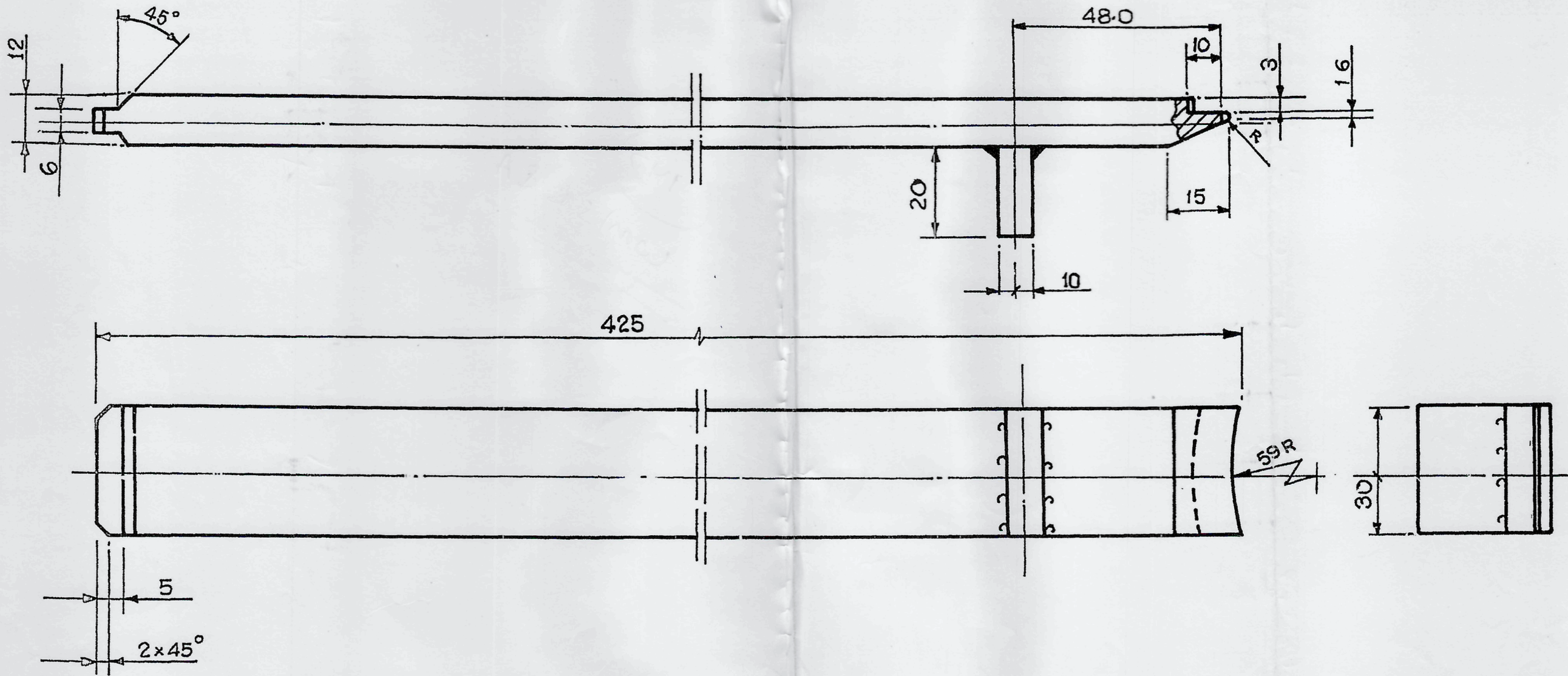
IS:4-90	RETRACED WITHOUT CHANGE																				
DATE	AUTHORITY	ZONE	PREV DC(I) No. 15962W & 16392-W Dt 31-12-85																		
AMENDMENTS																					
DRG SEALED: 16392-W																					
Dt 31-12-85																					
DO CQA(W)																					
DRAWN: SR SINGH																					
CHD: R. SINGH																					
DATE: 21-5-73																					
SCALE: 1:1																					
ESTD MASS:																					
MATERIAL:																					
PROTECTIVE FINISH: TO BE PHOSPHATED AS PER SPECN. WPN/ GEN/ 3 CLASS II 15 (j)																					

TOOL, ARTILLERY, 6A

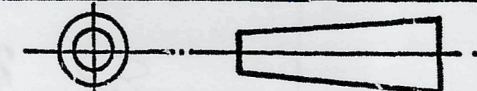
CQA(W) JABALPUR
DESIGN No. DGP-TA7209
PART No. ICM-1673
DS CAT No. 4933-000309

PART. NO.
IWP-1392

FOR EXPLANATION OF DIMENSIONING ETC. SEE ARIE NOTE SHT. NO. 1.
DIMENSIONS ARE IN MM UNLESS OTHERWISE STATED



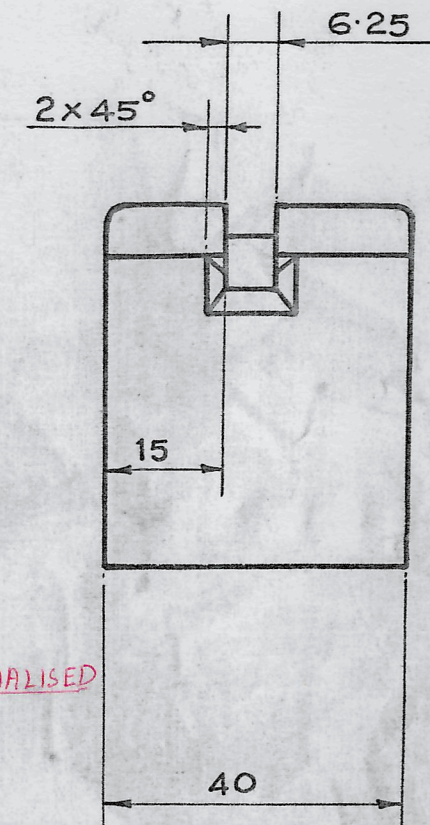
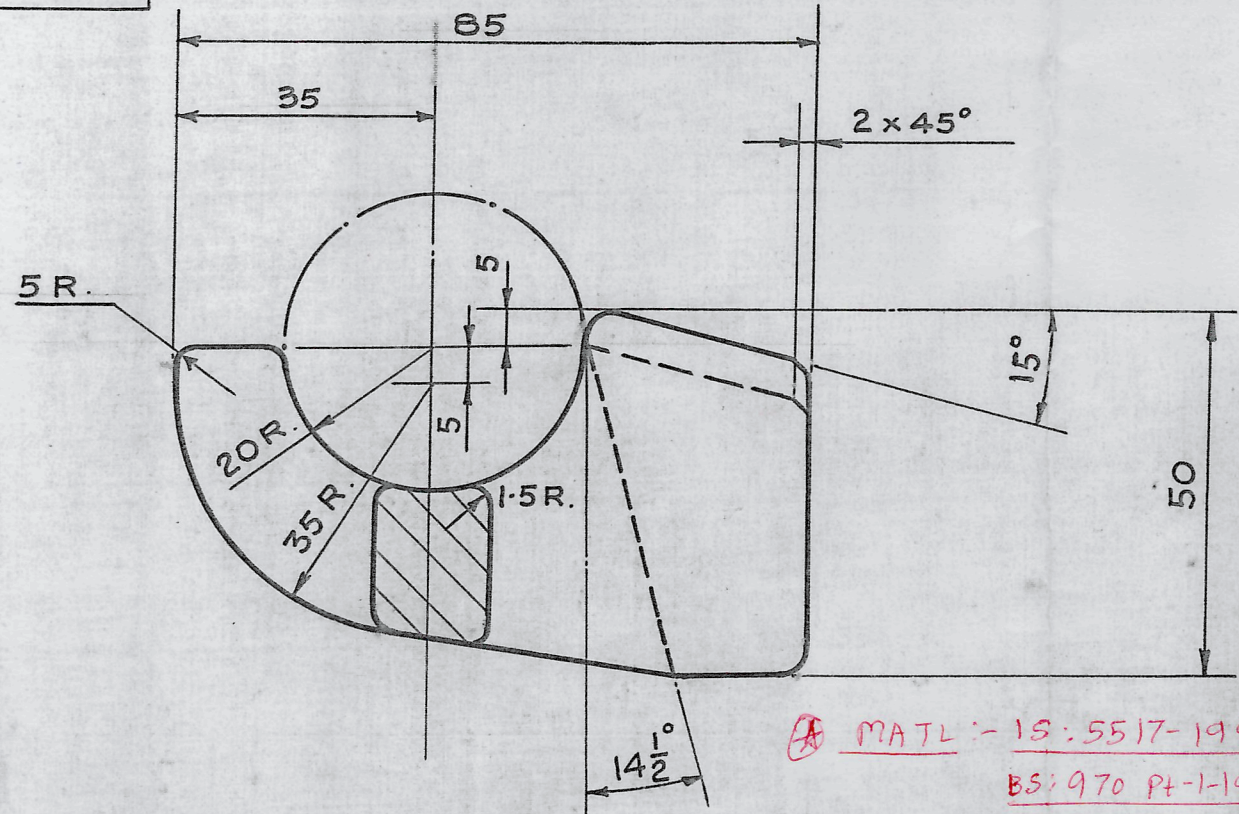
NOTE :- ALL WELDING WILL BE DONE
AS PER SPECN. B.S: 639.

31-8-18	19692-W			MATL AMENDED.																
31-12-85	16392-W			PROV SEALING CANCELLED & DRG SEALED																
1-8-85	15962-W			DRG SEALED PROV.																
4-2-85	10409/02/W4			DESIGN NO COLUMN 'SHT 2' DELETED.																
15-10-80	DEV TEAM			RE TRACED & UP DATED																
DATE	AUTHORITY	ZONE	R.NO	NATURE	CD	GO.	DRN	CHD.	ASSY. DRG.	4933-000309	DEV. TEAM JABALPUR									
				AMENDMENTS	SIG.		TCID: R Mitra	CHD: S. ROY	DATE:-	19.3.72										
DRG SEALED:-				16392-W			PASSED:-		SCALE:-	1:1	ESTD. MASS:-									
				31-12-85			APPROVED:-				DESIGN NO. D6P-TA7209									
							FOR O.I/C DEV. TEAM				PART NO IWP-1392									
							MATL :- IS: 2062-2011 GRADE E410 A				D.S CAT NO.									
							PROTECTIVE FINISH:-													

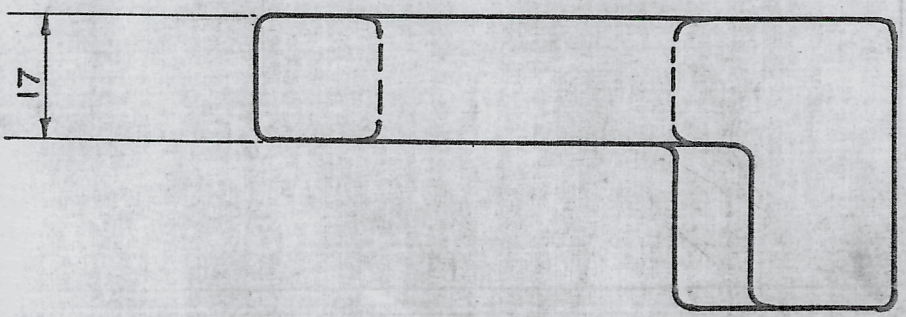
LEVER

PART NO.
IWP-1393

FOR EXPLANATION OF DIMENSIONING ETC. SEE ARDE NOTE SHT. NO. 1.
DIMENSIONS ARE IN MM. UNLESS OTHERWISE STATED.



MATL: - IS: 5517-1993 GRADE 45C8 OR.
BS: 970 Pt-1-1983, GRADE 080 M46 NORMALISED



31-8-18/19692-W/MATL AMENDED

26.3.19

31-12-85	16392-W			PROV SEALING CANCELLED & DRG SEALED		DRN.	CHD.	ASSY. DRG: 4933-000309	DEV. TEAM JABALPUR
1-8-83	15962-W			DRG SEALED PROV.		TCD: S. GUPTA	CHD: S. ROY.	DATE: 21. 5. 73.	
4-2-83	10409/02/W4			DESIGN NO COLUMN 'SHT 3' DELETED.		PASSED		SCALE: 1:1	
15-10-80	DEV. TEAM			RETRACED & UP DATED.		APPROVED		ESTD. MASS.	
DATE	AUTHORITY	ZONE	R. NO.	NATURE	CD. GO.	FOR O. I/C DEV. TEAM			
				AMENDMENTS	SIG.				
DRG. SEALED: PROV 15962-W						MATL: - IS: 2004-C45			DESIGN NO. D6P-TA 7209
16392-W						PROTECTIVE FINISH:			PART NO. IWP 1393
31-12-85									D. S. CAT. NO.
				DO C. I (W)					

BLOCK