

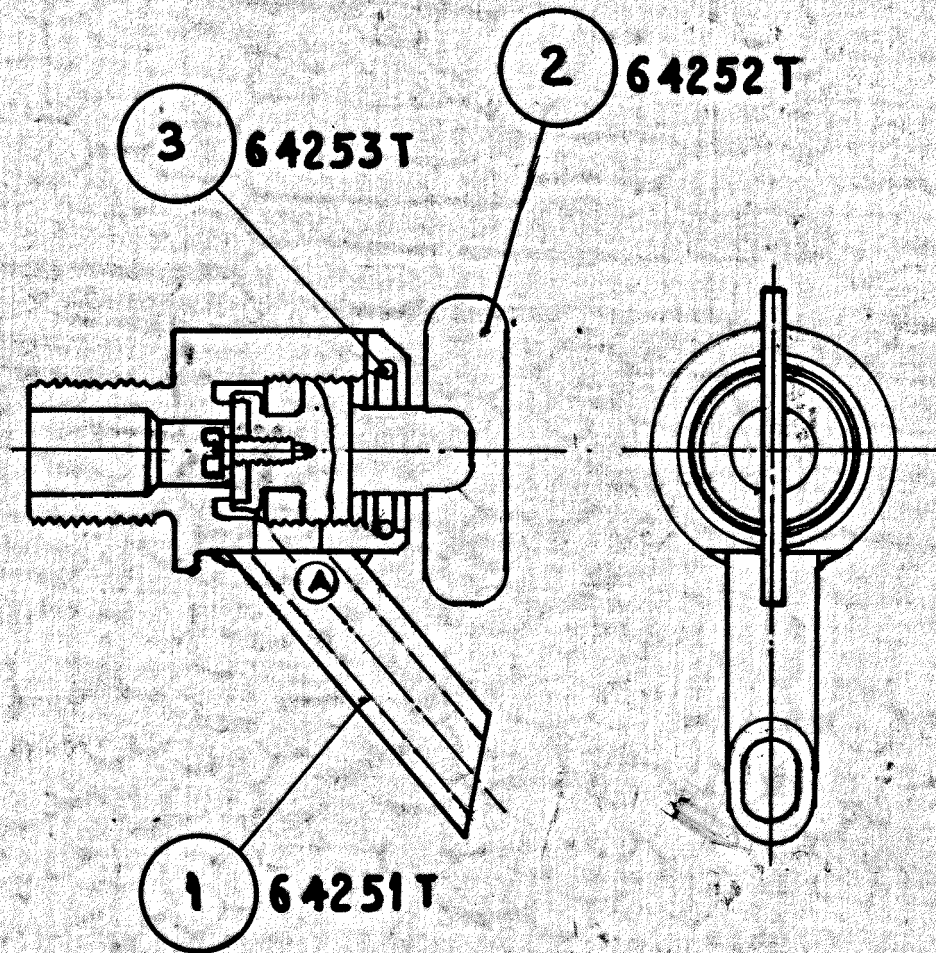
DRAWING NUMBER

64243T

THIRD ANGLE PROJECTION

USED ON
64240T
V530-0134
-0037

①



EST WT	SLB
--------	-----

TO BE STAMPED OR MARKED WHERE INDICATED THUS ∇ (LETTERS)

UNLESS OTHERWISE STATED MACHINED CORNERS TO HAVE RAD OUTSIDE RAD INSIDE EQUIVALENT CHAMFERS ARE PERMISSIBLE TOLERANCE \pm

			MATERIAL
			PROTECTIVE FINISH <i>123 2m</i> <i>132</i>
ISSUE DATE	15.10.69 A 22-4-65	RD/0655 (NOFAVRDE/M/NEW/004) -3/2 DIA DRAIN HOLE PERPENDICULAR TO AXIS INDICATED V/0700 (NOFA 33060)	TOLERANCES UNTOL FRACTIONAL DIMENSIONS \pm UNTOL DECIMAL DIMENSIONS \pm (MACHINED WORK)
	CERTIFIED	SCALE 1/1	DIMENSIONS IN INCHES
ARMSTRONGS (ENGINEERS) LIMITED, ELSTICK			DRAWING NUMBER
TAP			64243T

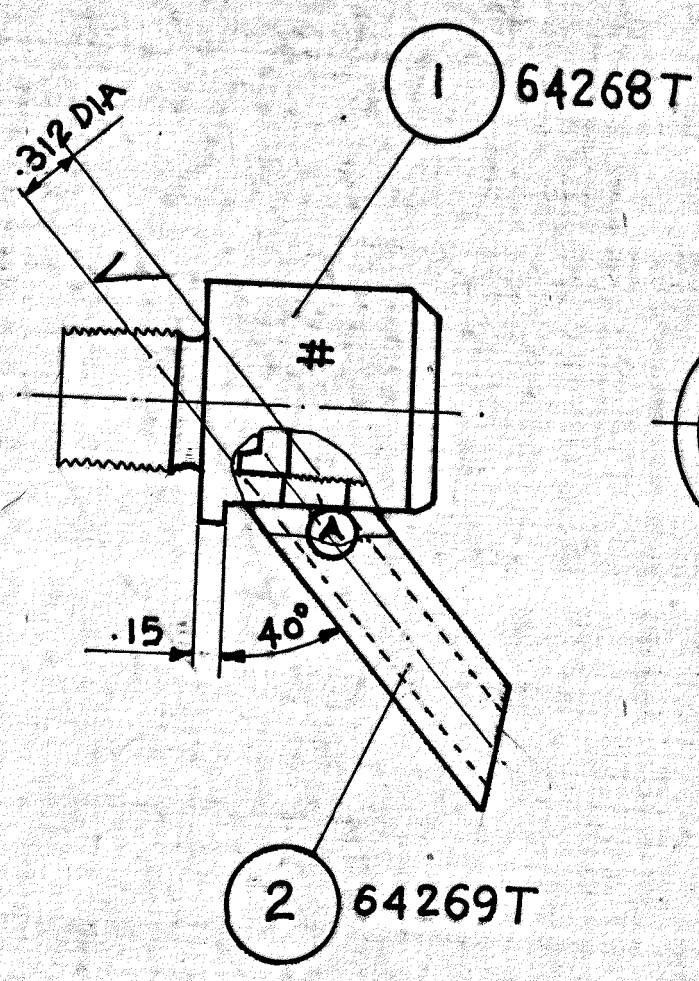
FORWARDED
7/11
CHECKED
PROJECTED
EMCI
DRAWN
SWH

DRG. No.

64251T

THIRD ANGLE PROJECTION

USED ON
64243T



BRAZE

~~132~~
127 cm
132

EST. WT	.35LB
---------	-------

TO BE STAMPED OR MARKED WHERE INDICATED THUS + (1/8 LETTERS)
64251T

UNLESS OTHERWISE STATED MACHINED CORNERS TO HAVE .025 RAD. OUTSIDE .015 RAD INSIDE EQUIVALENT CHAMFERS ARE PERMISSIBLE TOLERANCES ± .005

			MATERIAL
			PROTECTIVE FINISH
			DULL NICKEL PLATE
			TOLERANCES
A	22-4-65	.312 DIA DRAIN HOLE PERPENDICULAR TO MAIN AXIS INDICATED V/0699 (NOFA 33060)	UNTOL FRACTIONAL DIMENSIONS ± .01 UNTOL DECIMAL DIMENSIONS ± .01 (MACHINED WORK) MACHINING SHOWN ✓
ISSUE	DATE		
CERTIFIED		SCALE 1/1 DIMENSIONS IN INCHES	
ARMSTRONGS (ENGINEERS) LIMITED TELEICE		DRAWING NO	
TAP BODY		64251T	

