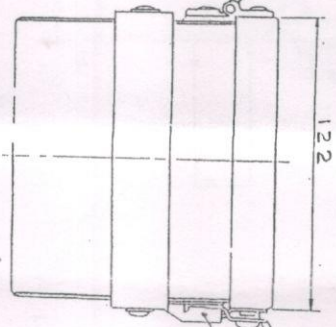
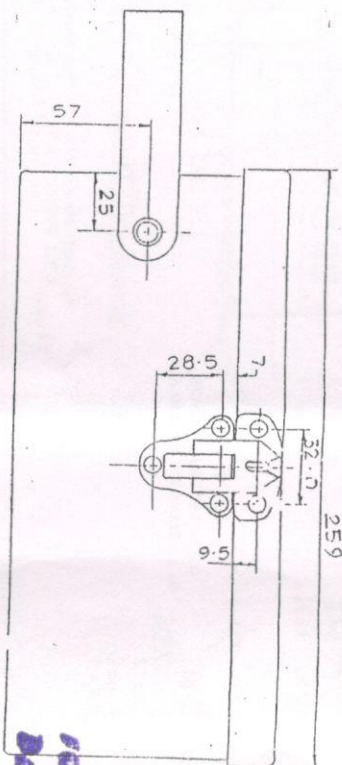
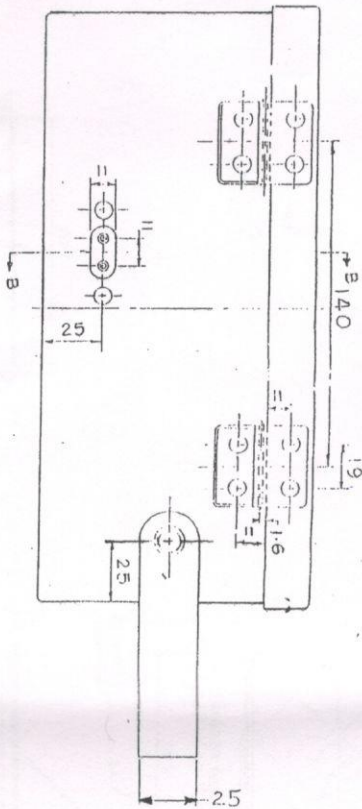
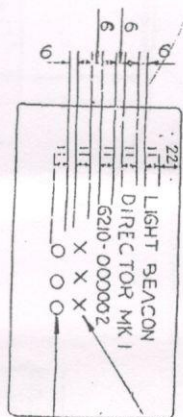


FOR EXPLANATION OF DIMENSIONING ETC SEE CQA/GUIDE No. 001-1992
 THIRD ANGLE PROJECTION
 DIMENSIONS ARE IN MM

SCALE

RAISED LETTERING AS SHOWN ABOVE
 TO BE PRESSED ON LID OF CASE TO
 DIMENSIONS GIVEN

MANUFACTURER'S INITIAL



CAT/PART No
 6210-000645

"WILLEN" CATCH
 NO 2603-1

TRACED FROM PHOTO-PRINT, NOT TO SCALE

- RIVETS FOR HANDLE - NO 9X9 LG-2
- RIVETS FOR CATCH - NO 9X6 LG-5
- RIVETS FOR HINGES - NO 9X7 LG-8
- RIVETS FOR TWIN SOCKET-NO 11X7 LG-2
- RIVETS FOR BULB HOLDER-NO 11X5 LG-2
- ALL RIVETS ARE BIPROCATED WITH CVAL
 HEADS, BRASS NICKEL PLATED
- BOX & LID - 0.90
- INTERIOR FITTINGS - 0.50

NOTE-
 ANY TRADE ARTICAL HINGE & CATCH SIMILAR
 TO MESSERS WILLENS WILL BE ACCEPTED
 PROVIDING A SAMPLE IS SUBMITTED FOR
 APPROVAL

FINISH - PRIMER TO IS: 104-1979 AND THEN APPLY PAINT
 IS-C-2200R 225 OF IS: 5-1978 OF IS: 165-1973

D.C. 5810-1, METRICISED, UPDATED & REDUCED DRG (2 SHTS) SEALED IN SUP SESSION OF EXISTING SINGLE SHEET		DATE	MATL-STEEL SHEET GA. 0.7015-5G-1986
AMENDMENTS		DATE	SEALED - 14.10.41
CASE, LIGHT SET (2)		SUPPLIER'S No.	O.S. 14619
			SHT. 1 OF 2

FOR TALKER OPS
 Date of Issue: 12/19/2020
...

DRG. REDUCED & METRICISED AT CQA(I) DEHRADUN
 PREPARED BY: ... CHECKED FOR CM
 CHECKED BY: ...
 DATED: 8-12-93

D.C.(I):- 65-S, 1358-SS, 1403-I, 1639-I, 2284-I, 5810-I

NOTE- ANY TRADE ARTICAL HINGE & CATCH SIMILAR TO MESSERS WILLENS WILL BE ACCEPTED PROVIDING A SAMPLE IS SUBMITTED FOR APPROVAL.

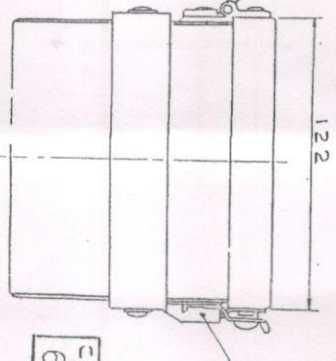
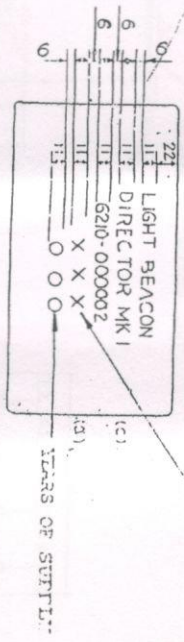
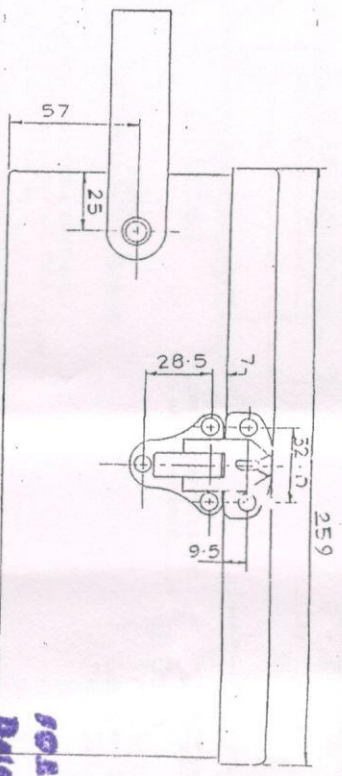
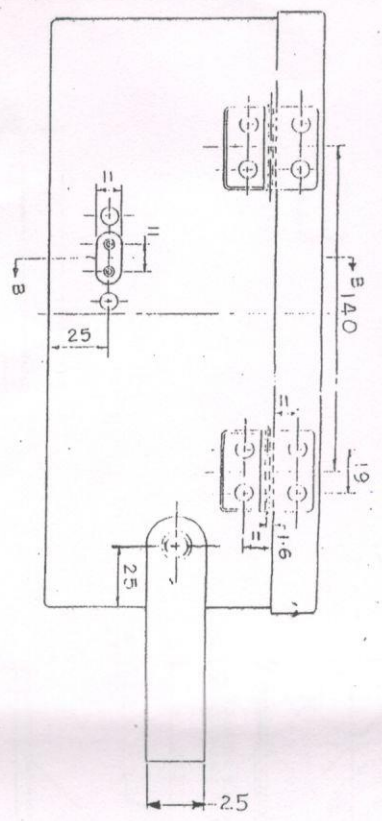
- RIVETS FOR HANDLE - NO 9X9 LG-----2
- RIVETS FOR CATCH - NO 9X6 LG-----5
- RIVETS FOR HINGES - NO 9X7 LG-----8
- RIVETS FOR TWIN SOCKET--NO 11X7 LG--2
- RIVETS FOR BULB HOLDER--NO 11X5 LG--2
- ALL RIVETS ARE SUPPLIED WITH GALV HEADS, BRASS NICKEL PLATED
- BOX & LID - 0.90
- INTERIOR FITTINGS - 0.50

FINISH- PRIMER TO IS: 104-1979 AND THEN APPLY PAINT IS-C-2200R225 OF IS: 5-1978 OF IS: 163-1973

RAISED LETTERING AS SHOWN ABOVE TO BE PRESSED ON LID OF CASE TO DIMENSIONS GIVEN

SCALE

FOR EXPLANATION OF DIMENSIONING ETC SEE CQAUGUIDE No 001-1992 THIRD ANGLE PROJECTION DIMENSIONS ARE IN MM



CAT/PART No 6210-000645

WILLEN HINGE No. 2552 - 2

"WILLEN" CATCH NO 2693 - 1

FOR TRADE ONLY Date of Issue 17/9/2020

TRACED FROM PHOTO-PRINT, NOT TO SCALE

D.C. 5810-1 METRICISED, UPDATED & REDUCED DRG (2 SHTS) SEALED IN SUP. PERMISSION OF EXISTING SINGLE SHEET		DATE	MATL-STEEL SHEET GA. 0.70 IS: 53-1986
AMENDMENTS		DATE	SEALED - 14.10.41
CASE, LIGHT SET (e)		SUPPLIER'S No.	O.S. 14619
CIA (FC) 1362		31.10.1941	
DETAIL No. 1		SD-	
DRAWN/TRACE/CHECKED FOR CIA			

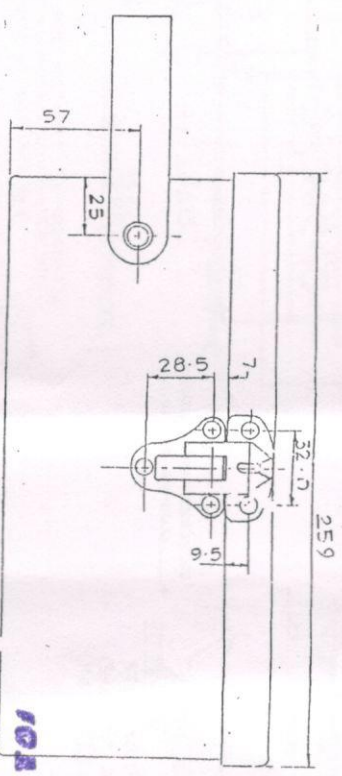
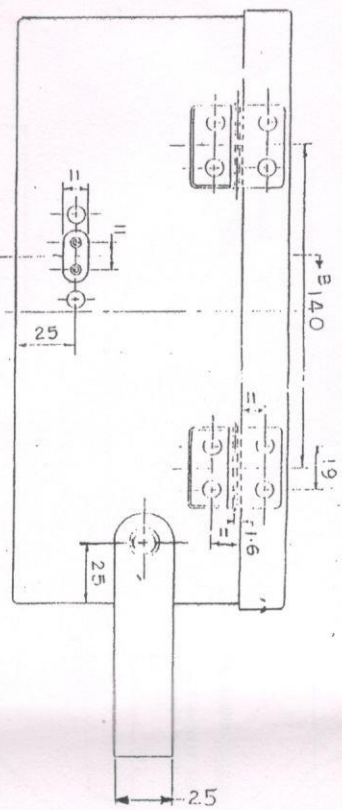
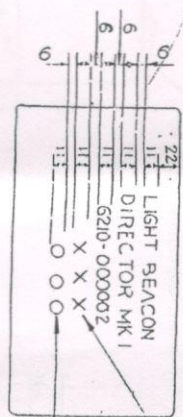
SHT. TOP 2

FOR EXPLANATION OF DIMENSIONING ETC SEE CQAUGUIDE No. 001-1992
THIRD ANGLE PROJECTION DIMENSIONS ARE IN MM

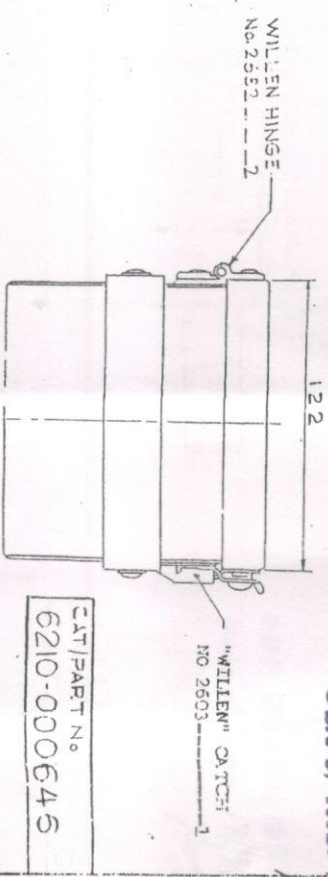
SCALE

RAISED LETTERING AS SHOWN ABOVE
TO BE PRESSED ON LID OF CASE TO
DIMENSIONS GIVEN

MANUFACTURER'S INITIAL



FOR TRADE QRM
Date of Issue 17/9/2020



TRACED FROM PHOTO-PRINT, NOT TO SCALE

- RIVETS FOR HANDLE - NO 9x9 LG-----2
- RIVETS FOR CATCH - NO 9x6 LG-----5
- RIVETS FOR HINGERS - NO 9x7 LG-----8
- RIVETS FOR TWIN SOCKET--NO 11x7 LG--2
- RIVETS FOR BUSH HOLDER--NO 11x5 LG--2
- ALL RIVETS ARE SIFERCOATED WITH OVAL HEADS, BRASS NICKEL PLATED

BOX & LID - 0.90
INTERIOR FITTINGS - 0.50

NOTE-- ANY TRADE ARTICAL HINGE & CATCH SIMILAR TO MESSERS WILLENS WILL BE ACCEPTED PROVIDING A SAMPLE IS SUBMITTED FOR APPROVAL

FINISH- PRIMER TO IS:104-1979 AND THEN APPLY PAINT IS C-2200R 225 OF IS:5-1978 OF IS:165-1973

D.C. 5810-1, METRICISED, UPDATED & REDUCED DRG (25H) SYSTEM SUPPERSION OF EXISTING SINGLE SHEET		DATE 21/12/93	
AMENDMENTS		DATE	
CASE, LIGHT SET (E)		SUPPLIERS No. OS.14619	
SHT. TOP 2			
CIA (FC) 1362	31.12.1941	Sd-	
DETAIL No. 1		DRAWN / TRACED / CHECKED FOR CIA	
MATL. STEEL SHEET 64.0 T015:53-1986	SEALED - 14.12.41		

DRG. REDUCED & METRICISED AT CQA(I) DEHRADUN
PREPARED BY: -
CHECKED BY: -
DATED: - 8.12.93

D.C. (I) :- 65-S, 1358-SS, 1403-I, 1639-I, 2184-I, 5810-I

