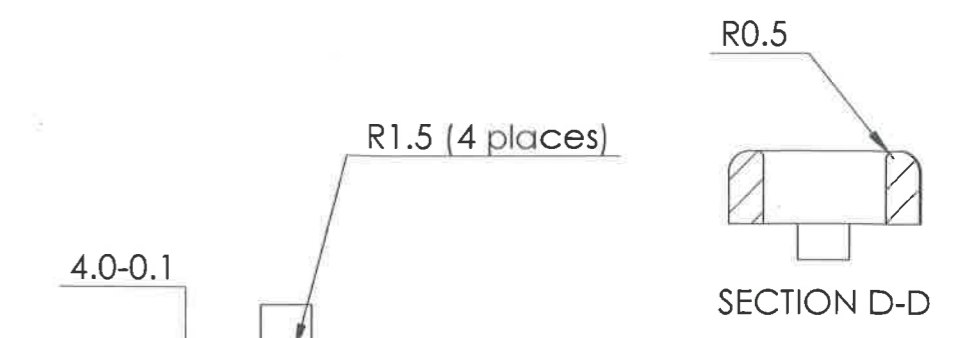
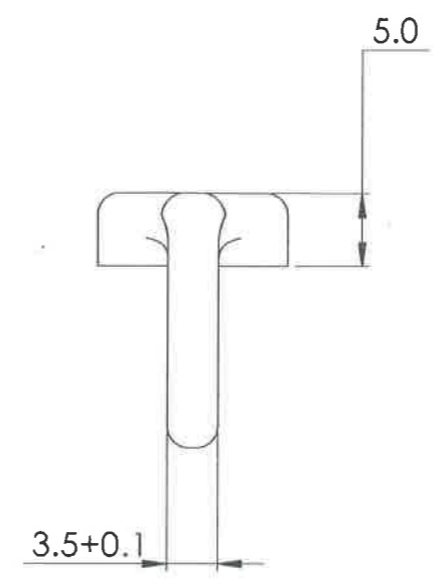
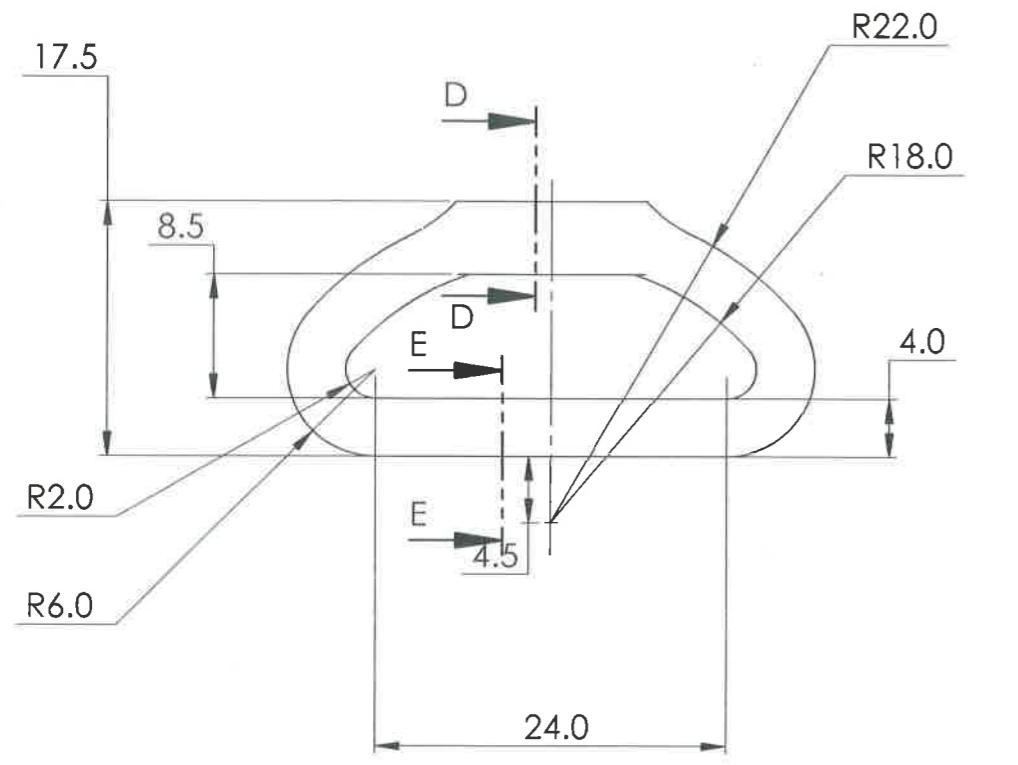


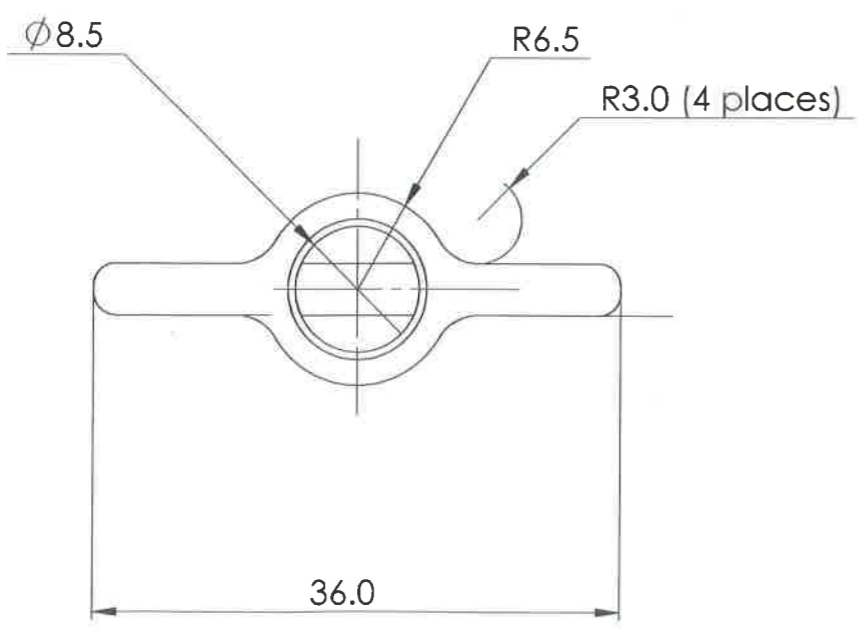
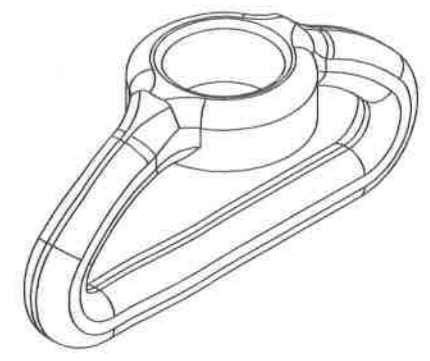
DRG NO 0204 03 01 IC SS S AA C SST  
 GEN.TOL. : ±0.2  
 DRAWING CONVENTION CONFIRM TO INDIAN STDS.  
 DIMN.IN mm UNLESS OTHERWISE STATED

CONTROL COPY No.

- NOTES:
- 1) REMOVE ALL SHARP EDGES AND BURRS.
  - 2) HARDNESS: 300-350HV
  - 3) ALT. PROTECTIVE FINISH: Ni-PTFE, 20µm THICKNESS.



SECTION E-E



R NO	DATE	AUTHORITY	BRIEF RECORD	ZONE	CD	GD
DRN	SD	CHD	MATERIAL		SIGN	
APPD	DATE 15/4/15	FOR DIRECTOR	STEEL TO IS: 5517:1993,Gd-40Ni6Cr4Mo3 (EN-24)			
SEALED	DATE		PROTECTIVE FINISH			
SCALE	2:1	EST MASS	PHOSPHATED TO SPECN IS:3618-1966, CLASS B			
DESIGN	AUTHORITY	ARDE	TITLE			
			HOOK SLING			
DRG NO	0204	04	03	00	02	0002 00DA
	IC	SS	S	AA	A	C SST
PART NO		DS CAT NO		AHSP		