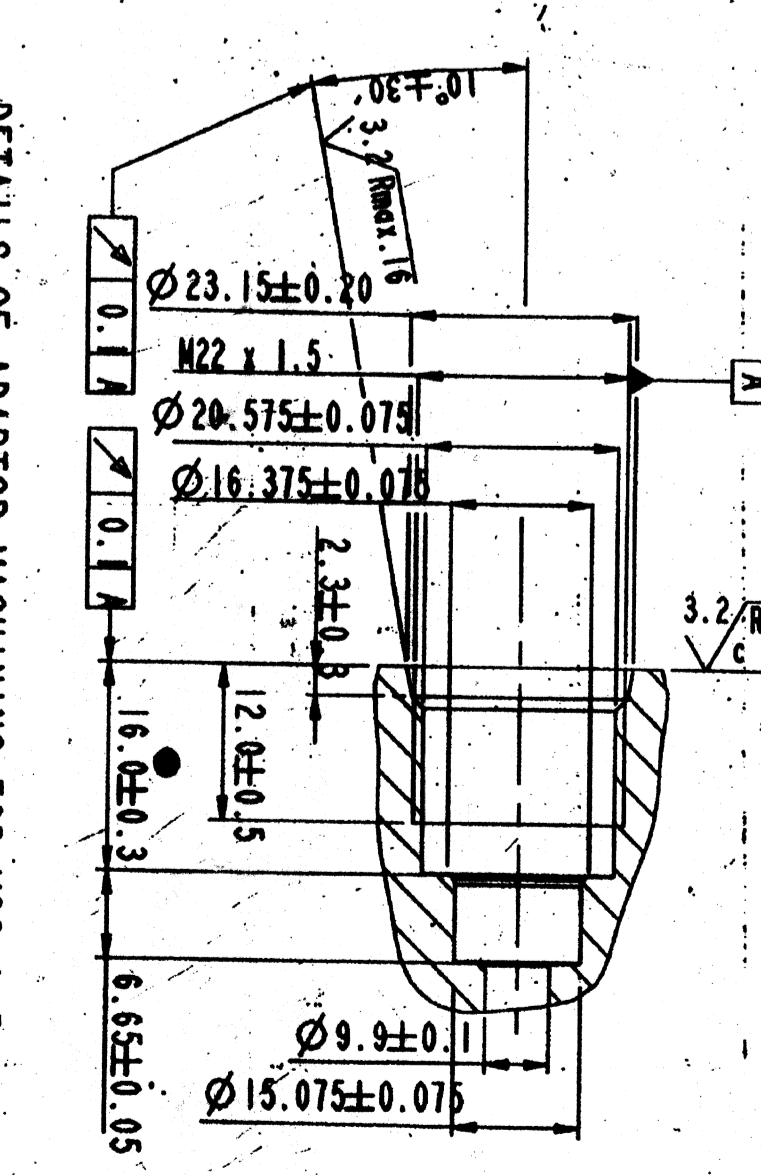
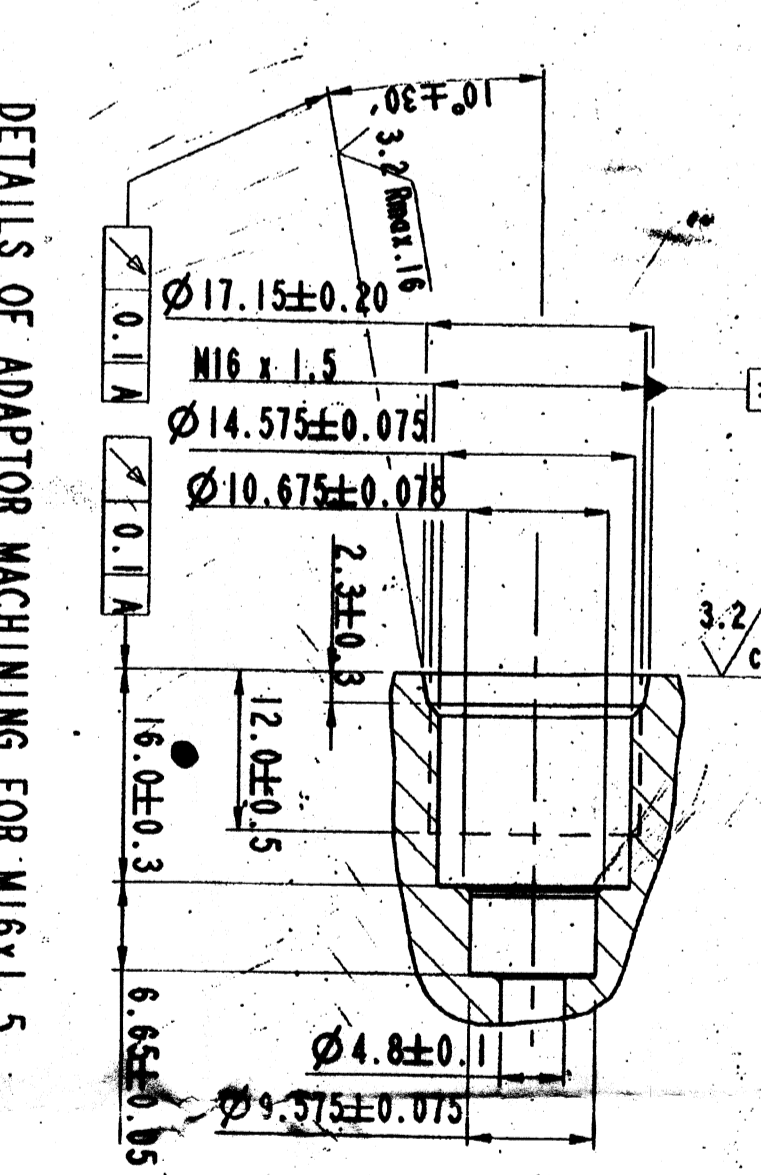
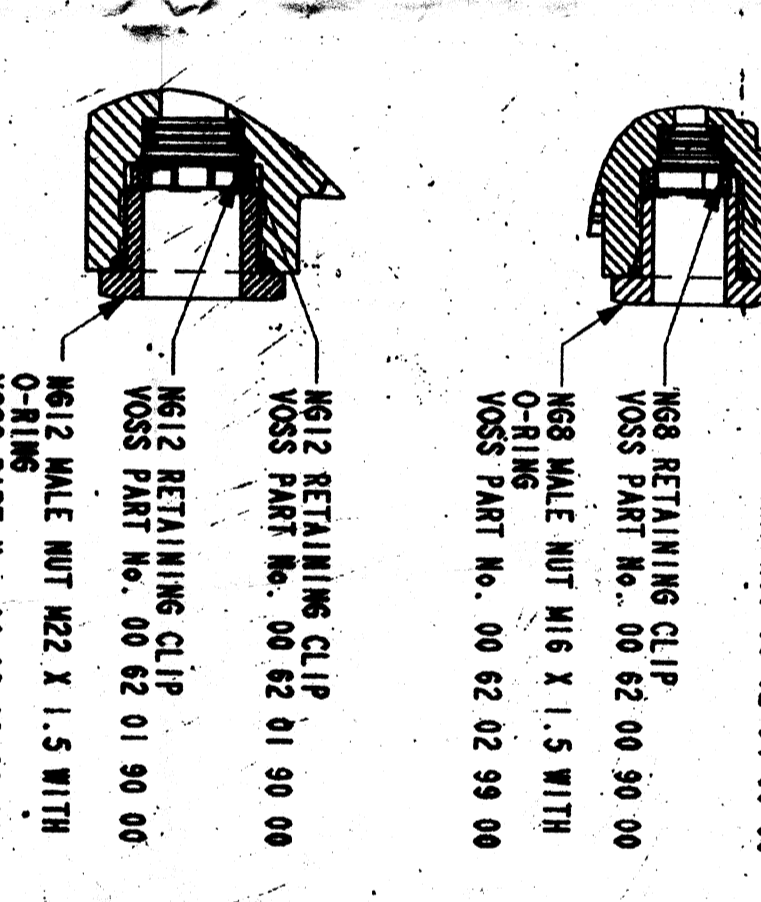
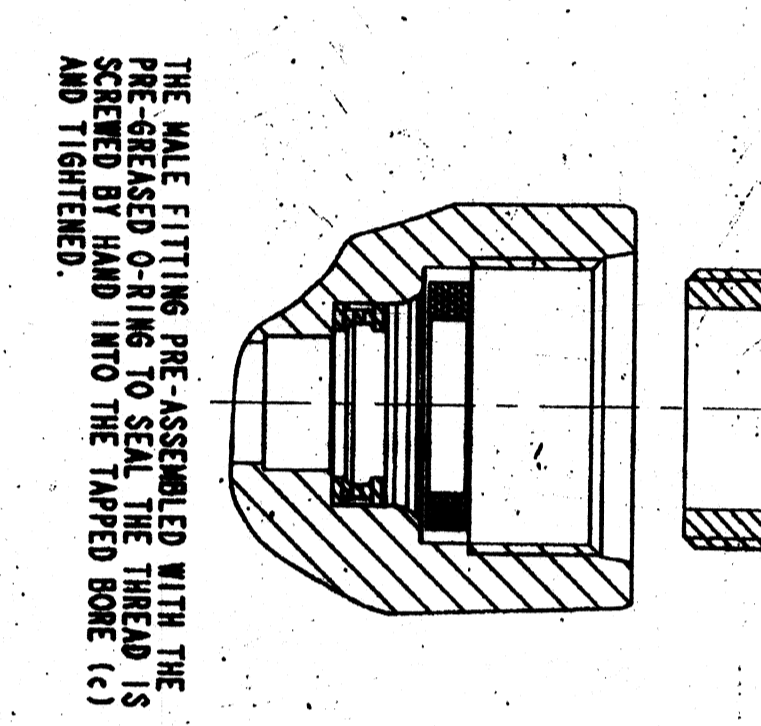
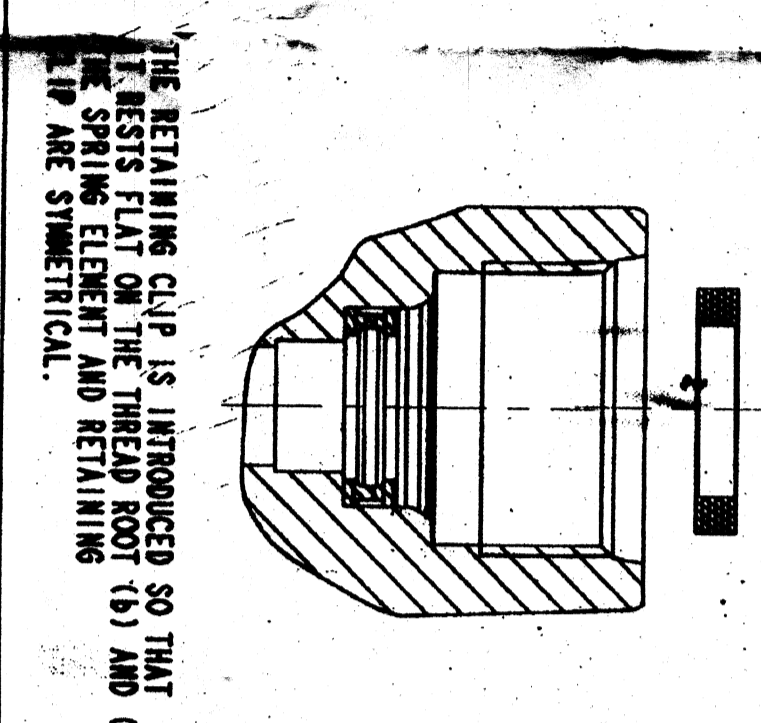
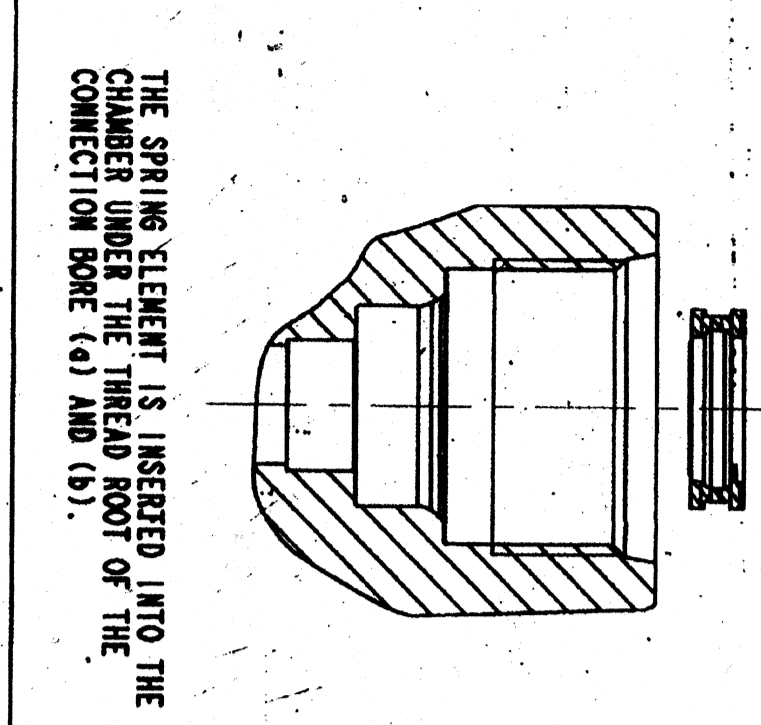


PART No. 601180
 6A



ASSEMBLY PROCEDURE

DO NOT SHAKE IF IN DOUBT ASK

THE SPRING ELEMENT IS INSERTED INTO THE CHAMBER UNDER THE THREAD ROOT OF THE CONNECTION BORE (c) AND (d).

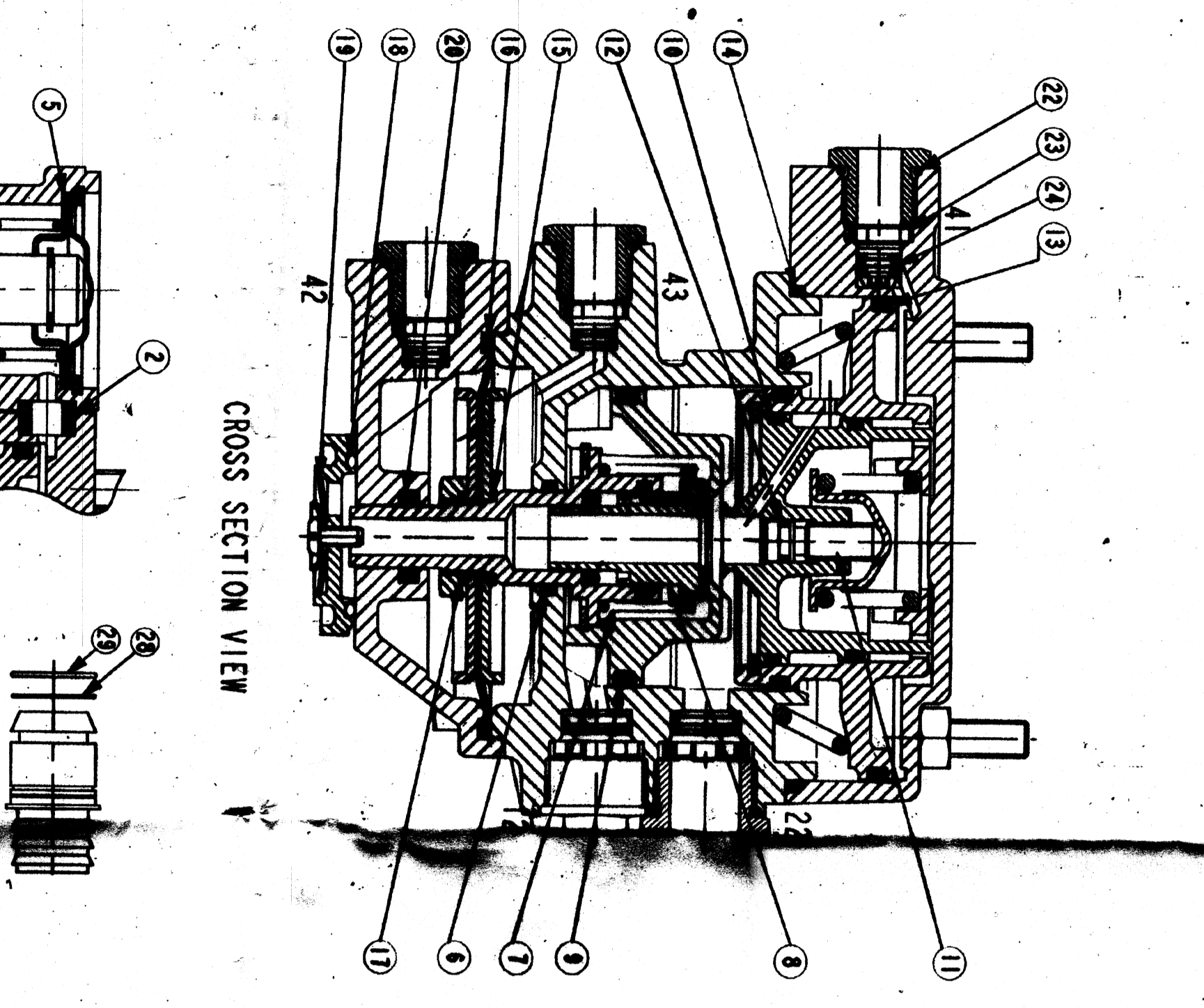
THE RETAINING CLIP IS INTRODUCED SO THAT IT RESTS FLAT ON THE THREAD ROOT OF THE CONNECTION BORE (c) AND (d).

THE MALE FITTING PRE-ASSEMBLED WITH THE RETAINING CLIP IS SECURED BY HAND INTO THE TAPERED BORE (c) AND TIGHTENED.

- M16 SPRING ELEMENT
VSS PART No. 00 02 04 99 00
- M16 RETAINING CLIP
VSS PART No. 00 02 01 90 00
- M16 MALE FIT M16 X 1.5 WITH O-RING
VSS PART No. 00 02 02 99 00
- M22 RETAINING CLIP
VSS PART No. 00 02 01 90 00
- M22 MALE FIT M22 X 1.5 WITH O-RING
VSS PART No. 00 02 03 99 00

DETAILS OF ADAPTOR MACHINING FOR M16x1.5

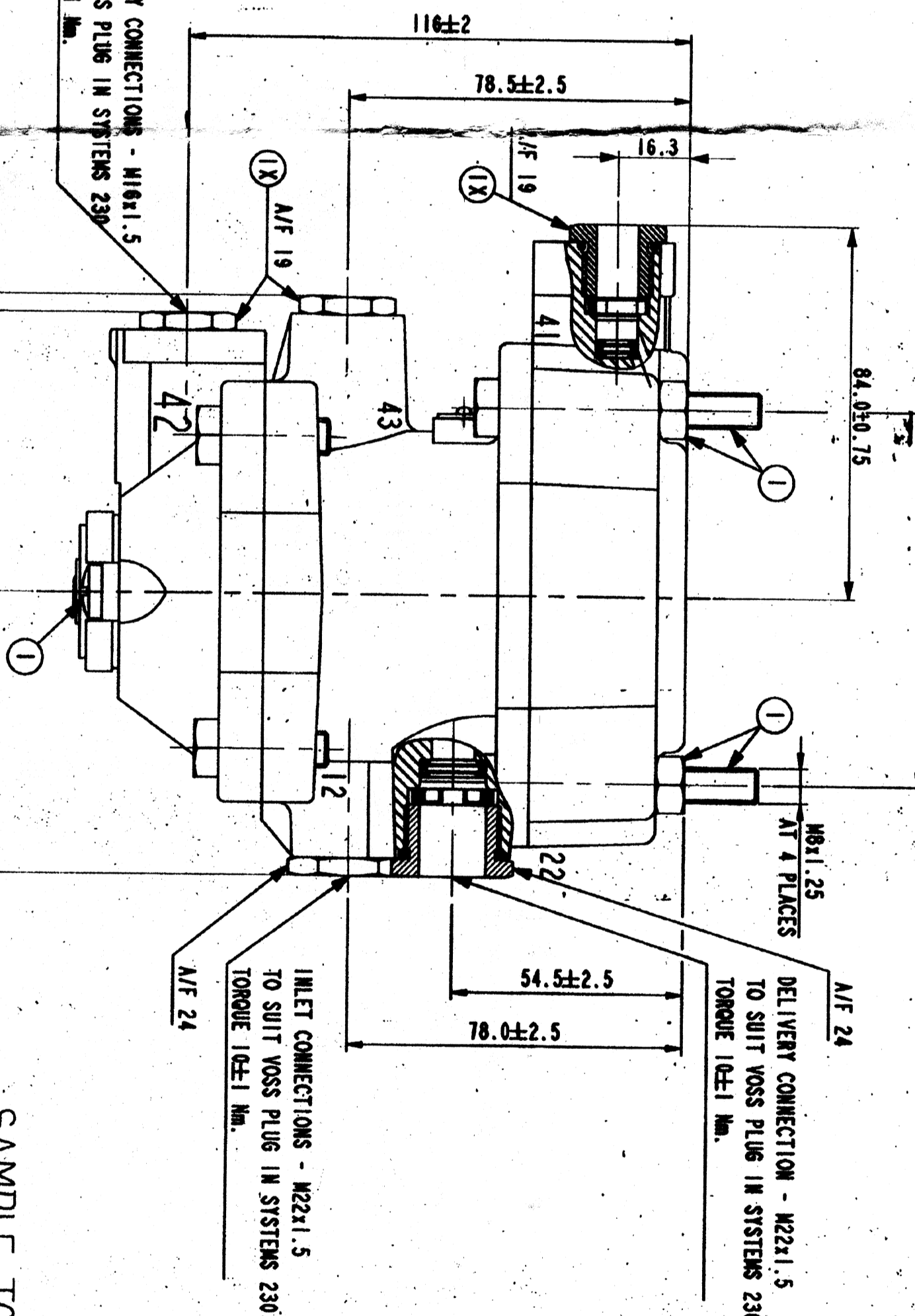
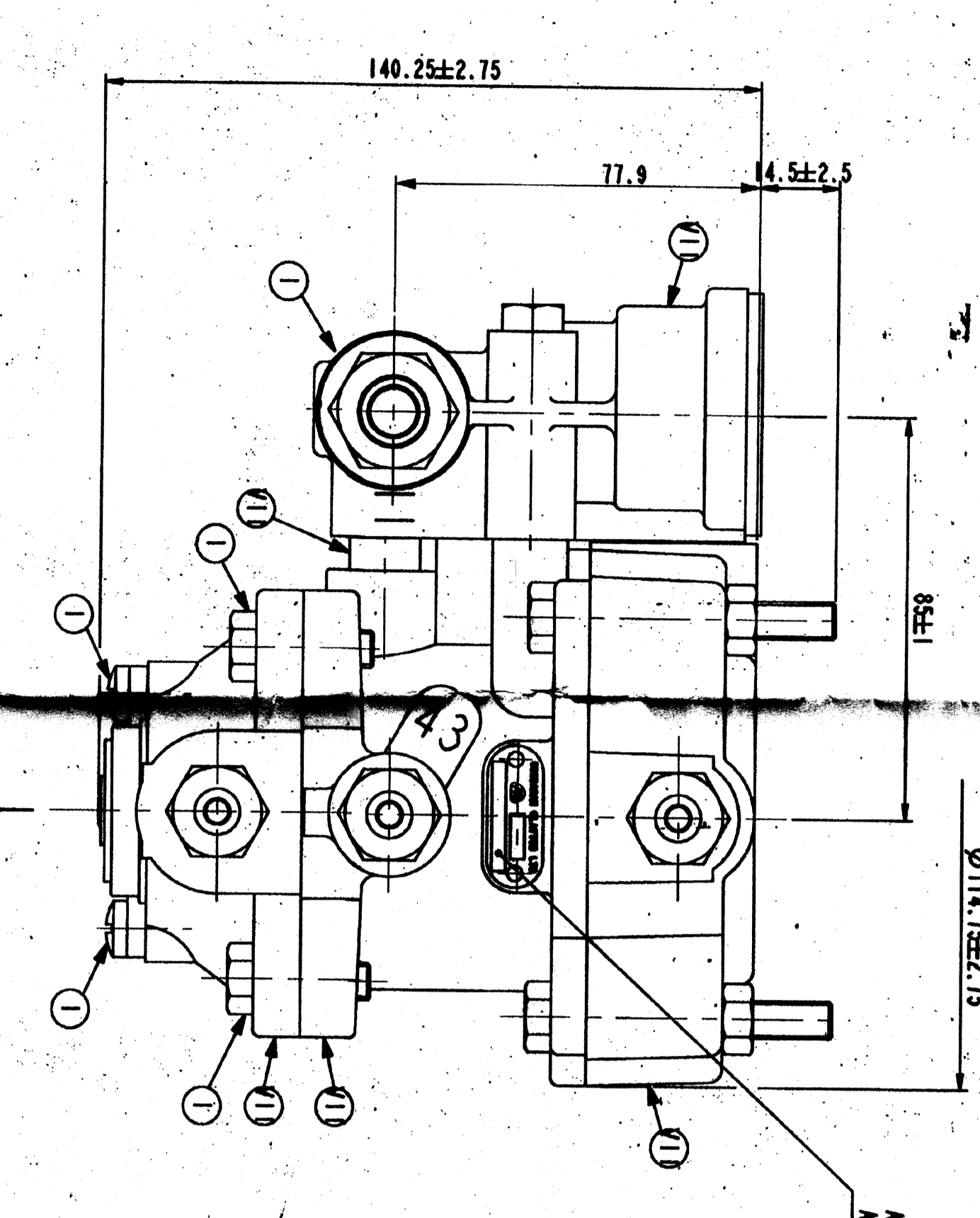
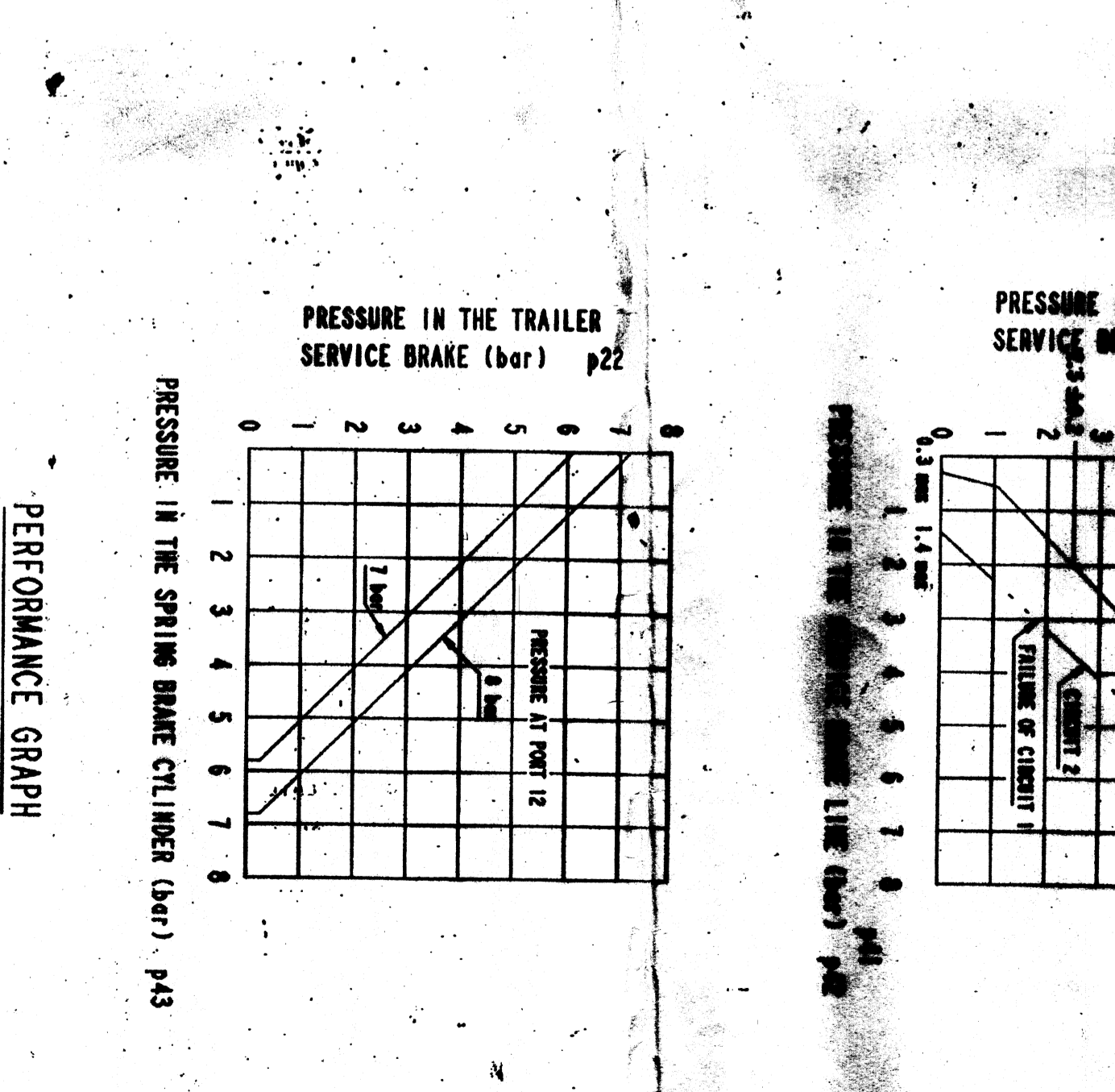
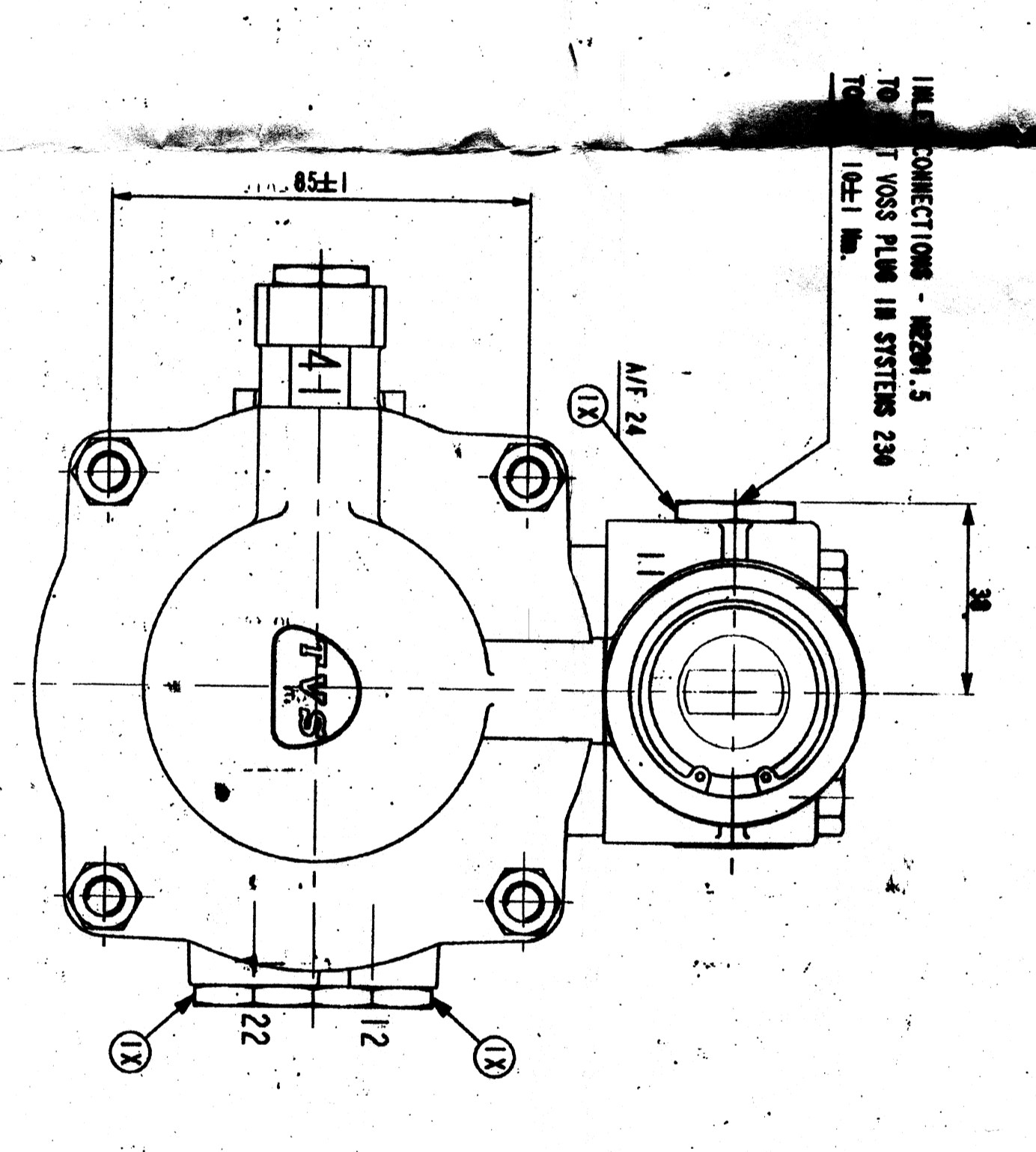
DETAILS OF ADAPTOR MACHINING FOR M22x1.5



REPAIR KIT DETAILS

ITEM	THE PART No.	SCL PART No.	DESCRIPTION	QTY
1	2782 4370 77 01	M165010	SEALING RING	2
2	2782 4370 77 02	M165020	SEALING RING	2
3	2782 4370 77 03	M165070	SEALING RING	1
4	2782 4370 77 04	M165070	SEALING RING	1
5	2782 4370 77 05	M165070	SEALING RING	1
6	2782 4370 77 06	M165070	SEALING RING	1
7	2782 4370 77 07	M165070	SEALING RING	1
8	2782 4370 77 08	M165070	SEALING RING	1
9	2782 4370 77 09	M165070	SEALING RING	1
10	2782 4370 77 10	M165070	SEALING RING	1
11	2782 4370 77 11	M165070	SEALING RING	1
12	2782 4370 77 12	M165070	SEALING RING	1
13	2782 4370 77 13	M165070	SEALING RING	1
14	2782 4370 77 14	M165070	SEALING RING	1
15	2782 4370 77 15	M165070	SEALING RING	1
16	2782 4370 77 16	M165070	SEALING RING	1
17	2782 4370 77 17	M165070	SEALING RING	1
18	2782 4370 77 18	M165070	SEALING RING	1
19	2782 4370 77 19	M165070	SEALING RING	1
20	2782 4370 77 20	M165070	SEALING RING	1
21	2782 4370 77 21	M165070	SEALING RING	1
22	2782 4370 77 22	M165070	SEALING RING	1
23	2782 4370 77 23	M165070	SEALING RING	1
24	2782 4370 77 24	M165070	SEALING RING	1
25	2782 4370 77 25	M165070	SEALING RING	1
26	2782 4370 77 26	M165070	SEALING RING	1
27	2782 4370 77 27	M165070	SEALING RING	1
28	2782 4370 77 28	M165070	SEALING RING	1
29	2782 4370 77 29	M165070	SEALING RING	1
30	2782 4370 77 30	M165070	SEALING RING	1
31	2782 4370 77 31	M165070	SEALING RING	1

REPAIR KIT NUMBERS
 SCL PART No.: 2809 4370 01 31



11 = SUPPLY LINE INLET
 12 = SUPPLY (p12)
 22 = BRAKING LINE TO THE TRAILER (p22)
 41 = SERVICE BRAKING SYSTEM (CIRCUIT 1) (p41)
 42 = SERVICE BRAKING SYSTEM (CIRCUIT 2) (p42)
 43 = SPRING BRAKE CYLINDER (p43)

272 DIRECTIONAL DIFFERENTIAL ACTUATING CONTROL VALVE
 NOMINAL DIAMETER: 65x3
 PRESSURE: P = p1-p22 = 2.4±0.4 bar
 NOMINAL PRESSURE: p4 = 8 bar max.
 MEDIUM: AIR

PRODUCT SPECIFICATION No.: PSCC 217C, ISSUE No. 1, DATE: 28.07.06
 QUALITY COMPLIANCE TEST WILL BE CARRIED OUT
 RESEMBLYANT AS PER CLASS M.15 OF PSCC 217C
 OPERATIONAL TESTS ARE FITTED WITH CLOSED PLUGS/CLOSURE STEER
 FOR STRONGER AND THROTTLE PURPOSES
 SERVICE LIFE TO FIRST OPERAND: 3 YEARS / 3,00,000 km WHICH EVER IS EARLIER
 SERVICE LIFE PER RECOMMENDED LAMPO
 WEIGHT OF THE VALVE: 2.3 kg

T.M. PART No.: 2809 4370 01 30

CONFIDENTIAL DRAWING

THIS DRAWING IS THE PROPERTY OF SUNDARAM CLAYTON LIMITED. IT SHALL BE KEPT IN CONFIDENCE AND NOT BE LOANED, REPRODUCED, COPIED, OR IN ANY MANNER DISCLOSED TO ANY OTHER PARTY WITHOUT THE WRITTEN APPROVAL OF SUNDARAM CLAYTON LIMITED. © 2006

NEW RELEASE

GENERAL TELEPHONE: 020 8333 1111

TRAILER CONTROL VALVE

PART No. M 601180

SUNDARAM CLAYTON LIMITED