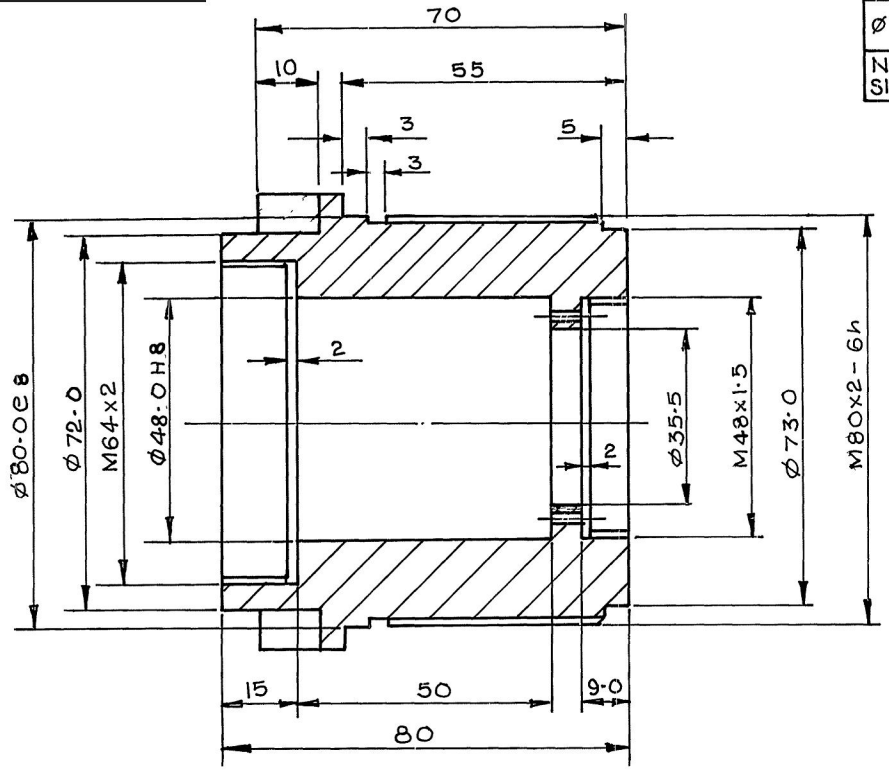
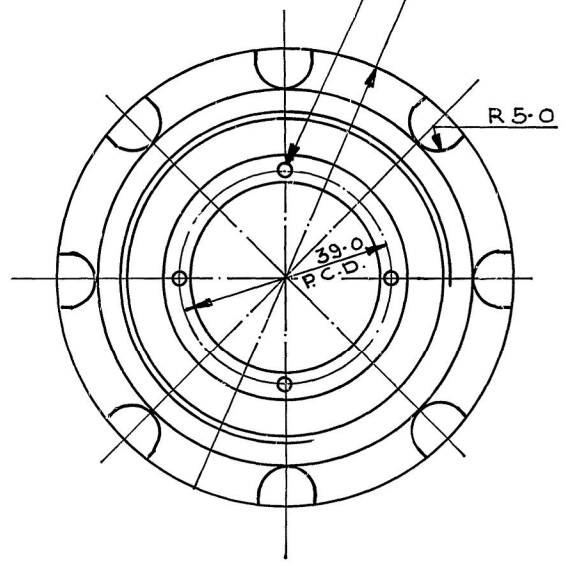


DS CAT No
1015-004521

FOR EXPLANATION OF DIMENSIONING ETC SEE ARDE
 NOTE SHT No.1. DIMENSIONS ARE IN mm.

$\phi 87.0 \text{ e8}$	-0.072 -0.127
$\phi 80.0 \text{ e8}$	-0.060 -0.106
$\phi 48.0 \text{ H8}$	+0.039 0
NOMINAL SIZE & FIT	DEVIATION

4 OIL HOLES $\phi 1.5$ TO BE DRILLED WITH 1015-000568 $\phi 87.0 \text{ e8}$



THREADS CONFORM TO IS:4218

21-7-18	19687-W	MATL. AMENDED.	
22-02-05	18897-W	NOMEN & DS CAT No AMENDED	
12-11-03	18819-W	HINDI NOMEN ADDED	
25-10-97		RETRACED WITHOUT CHANGE	
		PREV DC Nos 15961-W & 1695-W/DT 23-12-83	
DATE	AUTHORITY	ZONE	NATURE
AMENDMENTS		SIG	SIG
DRG SEALED: DC No. 16095-W		DT - 23-12-83	

DRN	CHD:-	ASSY DRG:-1015-000566
TCD:- <i>R.K. Thakur</i>	CHD:- <i>G.P. Shukla</i>	DATE:- 28-2-72
<i>Daddaj</i>	AHSP	SCALE:- 1:1
C/D' MAN	DO FOR CQA(W)	ESTD. Mass
MATERIAL:- IS: 4431-1978, GRADE 40 C10S18(B).		
PROTECTIVE FINISH:- TO BE PHOSPHATED TO SPEC. WPN/GEN/3 CLASS II TYPE 13(J) EXCLUDING INNER BORE.		

CQA(W) JABALPUR
DESIGN No. D6P-310601
PART No. IFL 7384
DS CAT No. 1015-004521

BOX STUFFING
 बॉक्स स्टफिंग