

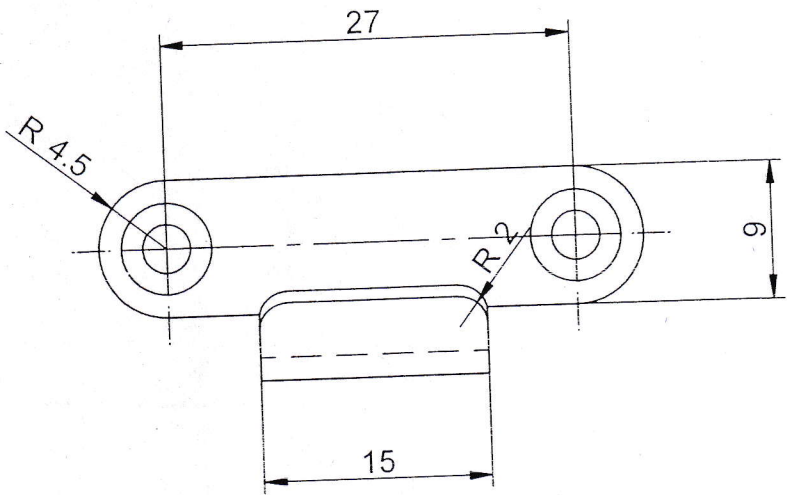
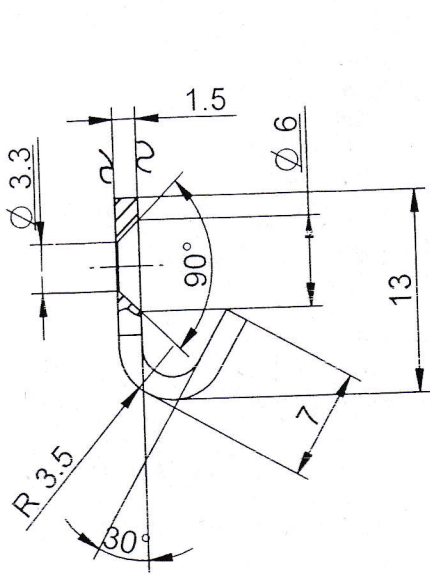
0089-20 P6



F4 OLF/DO/023

STEEL SHEET Gr.'D' OF IS 513
 AL:-ALT. MATL. STL SHEET Gr.'DD' OF IS 513
 SURFACE FINISH:- $(\sim) \nabla$

TREATMENT:-
 HARDNESS:-
 PROTECTIVE FINISH:- RED OXIDE



09 JUL 2020

ब्यापार हेतु
 For Trade only

NOTE -
 1. UNSPECIFIED TOLERANCES ON EXTERNAL SIZE INTERNAL SIZE & OTHERS ARE H12 H12 & ± 0.10 RESPECTIVELY

ITEM	DESCRIPTION	No. OFF.	REMARKS
------	-------------	----------	---------

LIST OF PARTS

COMPT NO		ASSY DRG		OPTO ELECTRONICS FACTORY			
		PACKING BOX TXP		DEHRADUN			
2016	AS STATED		TITLE:- HOOK				
DRAWN	<i>Amil</i>	1/4	ITEM NO. 00				
CHD	<i>1</i>	4/4	REF.		M		
JWM	<i>P.S.</i>		DRG. No.- OLF/STD/243				
DA No.		DATE/SIGN	DESCRIPTION	DIV. OFF.	NAME	DATE	SCALE:- 2:1
					<i>[Signature]</i>	4/16	
AMENDMENTS			APPROVED		<i>[Signature]</i>		S-TS. 07 SH No. 06