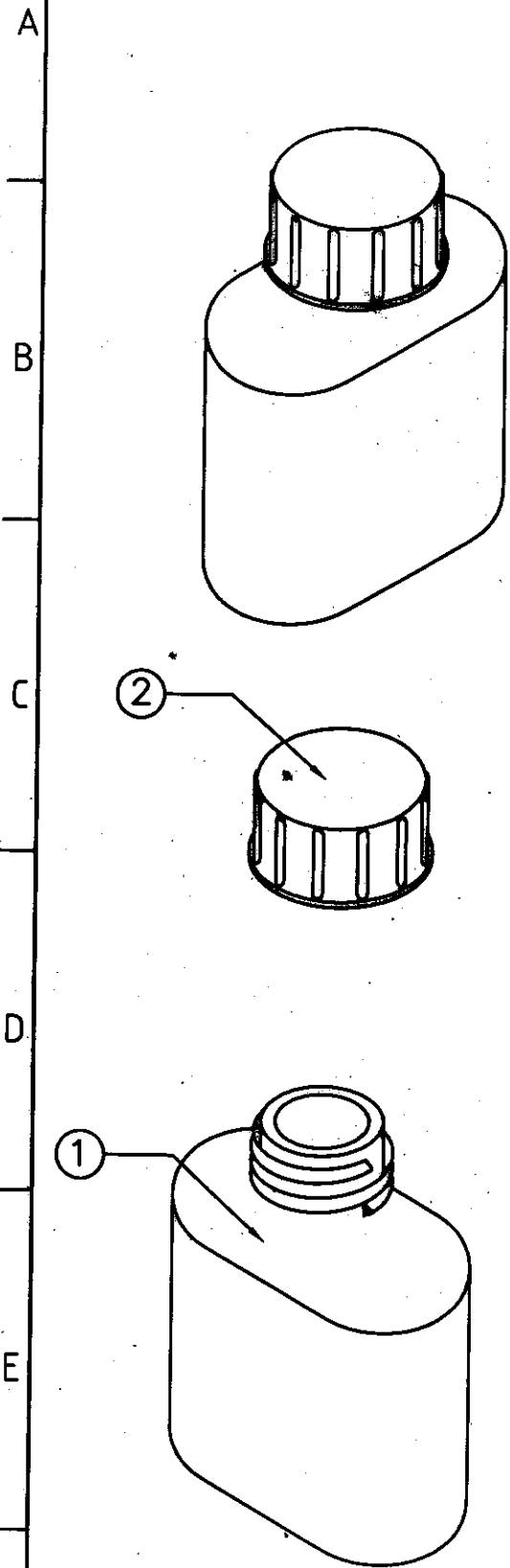
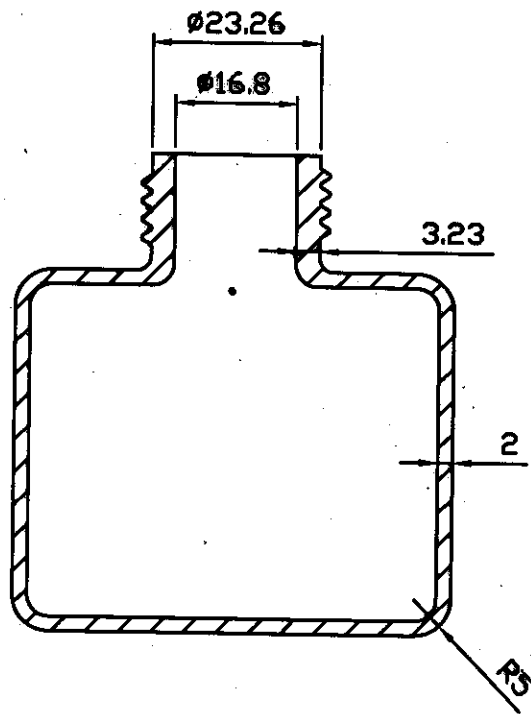
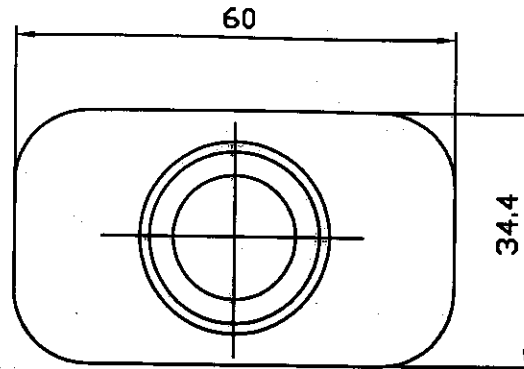


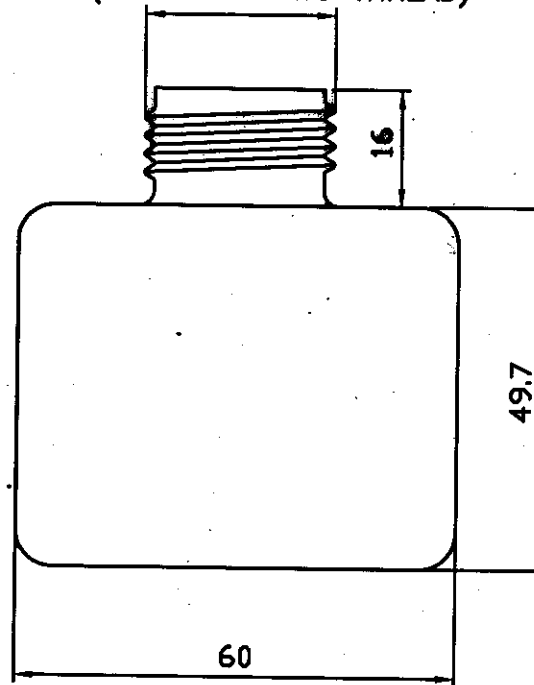
DRG. NO. K-9008



①



M26 (DOUBLE STARTS THREAD)



SUITABLE CORNER RADIUS R5
ON ALL CORNERS

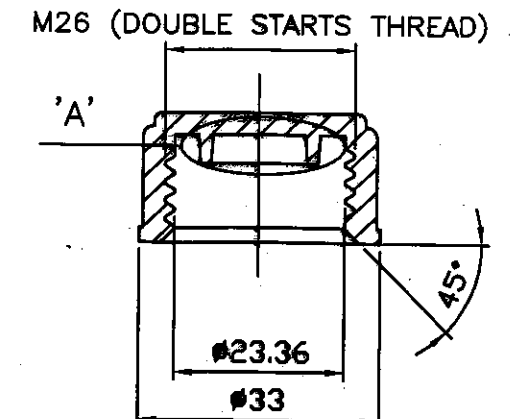
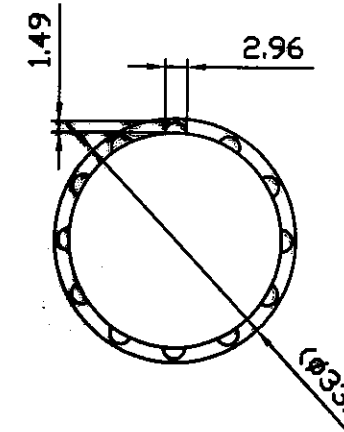
CERTIFIED CORRECT COPY
OF APPROVED DRAWINGS
AT 08/04/18 8/16/18

Design & Drawing Office
Ordnance Factory,
Tiruchirappalli

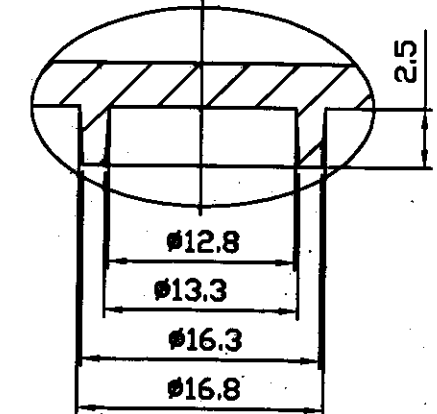
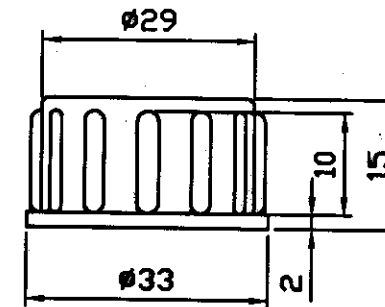
S. K. K. K.
DGM/WP
NODAL OFFICER
(TAR)

DIMENSIONS ARE IN mm.
UNTOLERATED DIMNS. AS PER IS : 2102 (MED)
MARK DRAWING No.

②



ON CONTROLLED COPY



VIEW AT 'A'

MATERIAL:

HIGH DENSITY POLYETHYLENE (HDPE)
SOFTENING POINT: 110°C TO 120°C
COLOUR : MATT FINISH BLACK

PART NO.	DESCRIPTIONS	NO OFF	MATERIAL	TREATMENT	REMARKS
2	CAP	1	---	---	---
1	OIL CANE	1	---	---	---

<p>TRACED</p> <p>DRAWN</p> <p>CHECKED</p> <p>HOS/D&DO</p> <p>OFFICER/PRODN.</p> <p>OFFICER/D&DO</p> <p>APPROVED ON.</p>	<p>SIGNATURE & DATE.</p> <p><i>S.K.K.K.</i></p> <p><i>[Signature]</i></p> <p><i>[Signature]</i></p>	<p>SUB: OIL BOTTLE</p> <p>FOR: ACCESSORIES</p> <p>OF : TRICHY ASSAULT RIFLE</p> <p>DES. REF. NO.</p> <p>DRG. No.: TAR-RB-K-9008</p> <p>ORDNANCE FACTORY TIRUCHIRAPPALLI-16.</p>	<p>SCALE NTS</p> <p>STORE DRG. NO. K-9008</p> <p>OPERATION NO. ---</p> <p>SHEETS: 1</p> <p>SHEET No.: 1</p>
---	---	---	---

AMENDMENTS SIG. & DATE