

OLF/ODD/027

ITEM NO	NOMENCLATURE	DRG.NO.	QTY.	MATERIAL	SHEET SIZE
	MOUNT ASSY.	OLF/R&D/RDS/001.06			A 4
		<b>COMPONENT</b>			
1	MOUNT FOR MGL GUN & CARBINE GUN	OLF/R&D/RDS/001.06.01	01	AL ALLOY IS 736: 83 Gr.24345 (WP)	A 3
2	HX.SOC.HD.CAP SCREW M4 X 26 LONG	---	01	IS:2269-81,8.8 ZINC PLATED CHRO- BLACK	
3	HX.SOC.HD.CAP SCREW M4 X 10 LONG	---	02	IS:2269-81,8.8 ZINC PLATED CHROM. BLACK	

270918

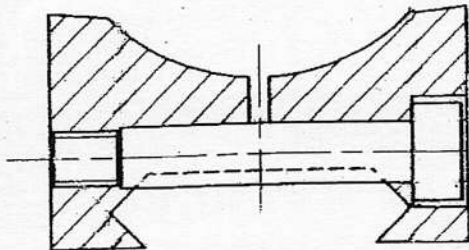
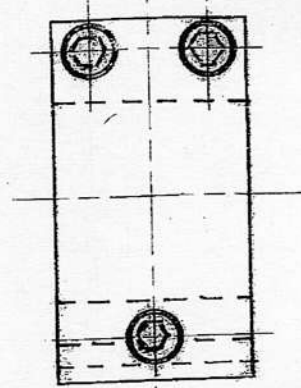
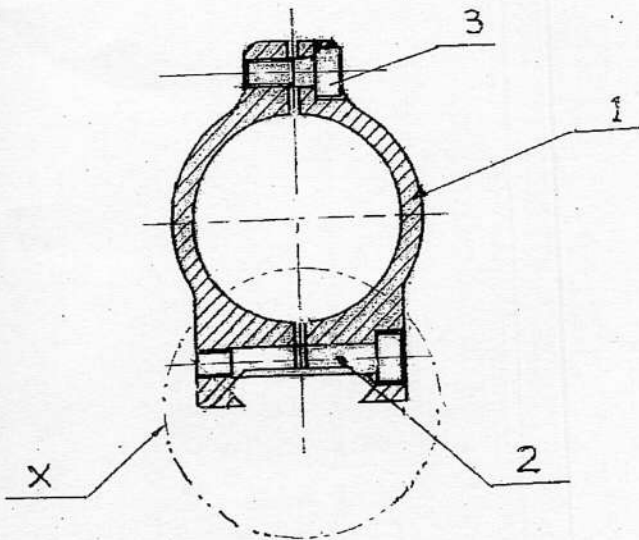
व्यापार हेतु  
FOR TRADE ONLY

UN CONTROLLED COPY  
CERTIFIED CORRECT COPY OF APPROVED  
DRAWINGS AT THIS DATE *26/4/22*  
*A. Mahapatra*  
DESIGN & DRAWING OFFICE,  
ORDNANCE FACTORY, TIRUCHIRAPPALI - 620 016.

		COMPT. No.	ASSY. DRG.	OPTO ELECTRONICS FACTORY DEHRADUN	
		2007	RED DOT SIGHT	TITLE	
		GEN. TOL. IS 2102-m (Pt.-1)		MOUNT ASSY.	
		DRAWN	16.04	REF. M1	
		CHECKED <i>[Signature]</i>	16.04	DRG.No. OLF/R&D/RDS/001.06	
		HQS <i>[Signature]</i>	16.04		
		NAME	DATE		
D.A.No.	DT./SIGN	DESCRIPTION	AWM/ R&D	M/Yr.	
AMENDMENTS			<i>[Signature]</i>	4/2007	
			APPROVED		SCALE: —
					SHTS. 03 SHT. No. 01

OLF/008/12

MATERIAL: —	TREATMENT HARDNESS: —
SURFACE FINISH: —	PROTECTIVE FINISH: —



VIEW - X  
SCALE 2:1

270918  
व्यापार हेतु  
FOR TRADE ONLY

UN CONTROLLED COPY  
CERTIFIED CORRECT COPY OF APPROVED  
DRAWINGS AT THIS DATE 26/4/22  
DESIGN & DRAWING OFFICE,  
ORDNANCE FACTORY, TIRUCHIRAPPALI - 620 016.

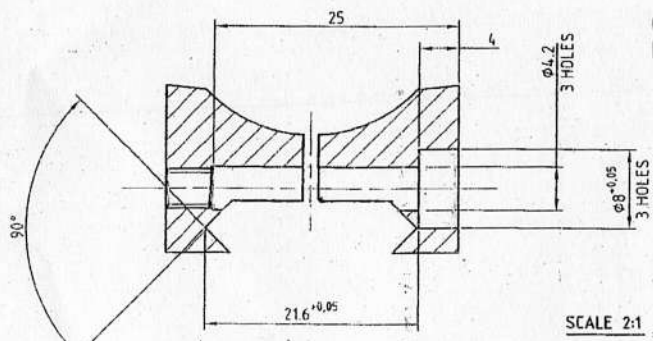
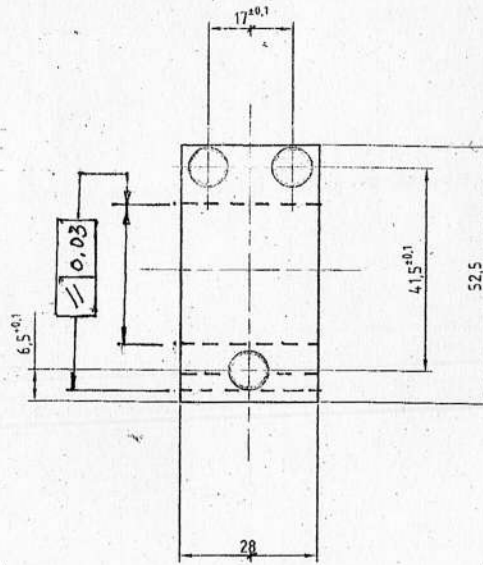
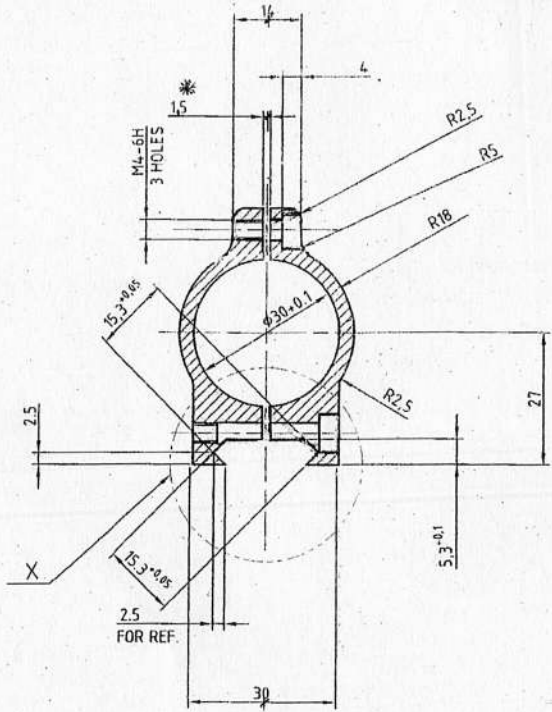
ITEM	DESCRIPTION	No. OFF	MATERIAL	REMARKS	
LIST OF PARTS					
COMPT. No.	ASSY. DRG. RED DOT SIGHT	OPTO ELECTRONICS FACTORY DEHRADUN			
2007	GEN. TOL'S 2102-m (Pt.-1)	TITLE <u>MOUNT ASSY.</u>			
DRAWN		16.04	REF. OLF/MCP/RDS/99 dt. 13/6/2012 M 1		
CHECKED	<i>[Signature]</i>	16.04			
HOS	<i>[Signature]</i>	16.04			
	NAME	DATE	DRG.No. OLF/R&D/RDS/001-06		
D.A.No	DT /SIGN	DESCRIPTION	AWM/ R&D	M/Y 4/2007	SCALE 1:1
AMENDMENTS			APPROVED	<i>[Signature]</i>	SHTS 03 SHT No. 02

MATERIAL: AL ALLOY IS 736-83 Gr.24345 (WP)

TREATMENT T6  
HARDNESS:

SURFACE FINISH:  $\nabla\nabla$

PROTECTIVE FINISH: ANODIC OXIDATION BLACK



ENLARGED VIEW AT-X

SCALE 2:1

UN CONTROLLED COPY  
CERTIFIED CORRECT COPY OF APPROVED  
DRAWINGS AT THIS DATE 26/4/22  
DESIGN & DRAWING OFFICE,  
ORDNANCE FACTORY, TIRUCHIRAPPALI-620 010.

270918

NOTE:-

1. SHOULD BE BLACK POWDER PAINT ON OUTER SURFACE OF THE HOLDER EXCEPT HOLES
2. \* DIMENSION FOR SLITTING AFTER MANUFACTURING THE MOUNT.

व्यापार हेतु  
FOR TRADE ONLY

ITEM	DESCRIPTION	No. OFF	MATERIAL	REMARKS
LIST OF PARTS				
COMPT. No.	ASSY. ORG. REF: DOT SIDE	OPTO ELECTRONICS FACTORY DEHRADUN		
2007	GEN. TOL IS 2102-m (PT.-1)	TITLE <b>MOUNT FOR MGL GUN &amp; CARBINE GUN</b>		
DRAWN	16-04	REF. OLF/MCP/RDS/39 dt. 13/6/2012   M1		
CHECKED	16-04			
HDS	16-04	DRG.No. OLF/R&D/RDS/001-06.01		
NAME	DATE			
D.A.No.	DT./SIGN	DESCRIPTION	M/Yr	SCALE 1:1
AMENDMENTS			AWM/ R&D	SHTS 03   SHY No 03
			APPROVED	