

DRAWING CONVENTIONS CONFORM TO IS: SPECIFICATION
DIMNS. ARE IN mm

LIST OF COMPONENTS

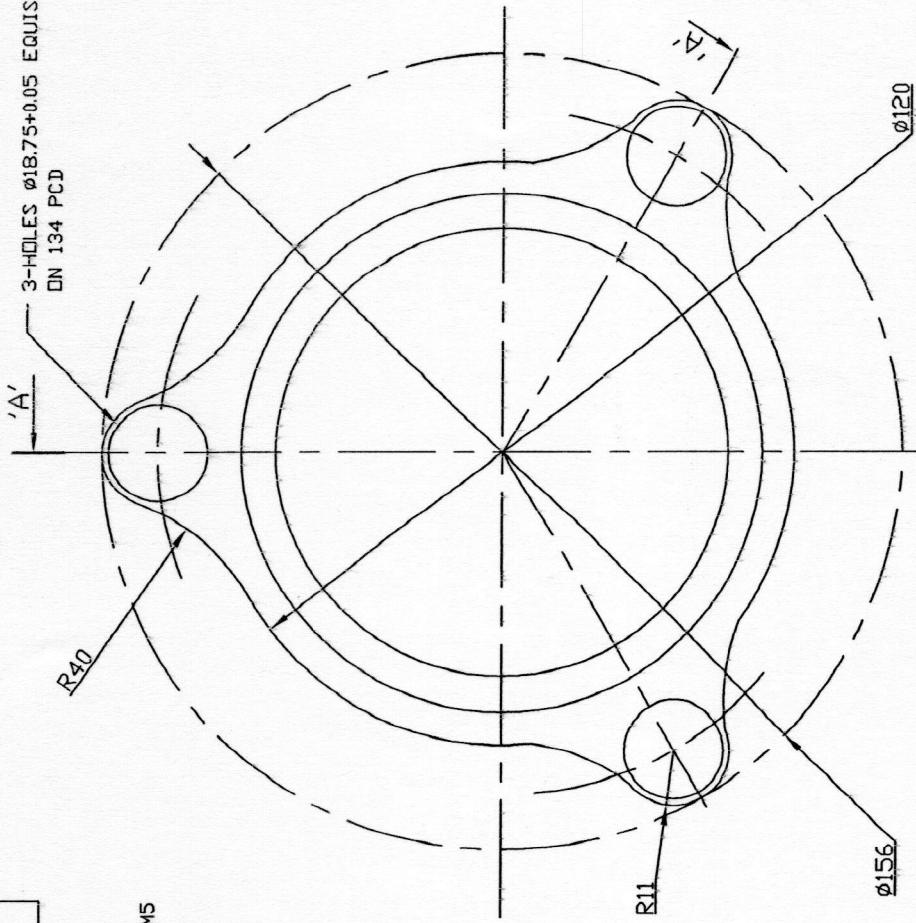
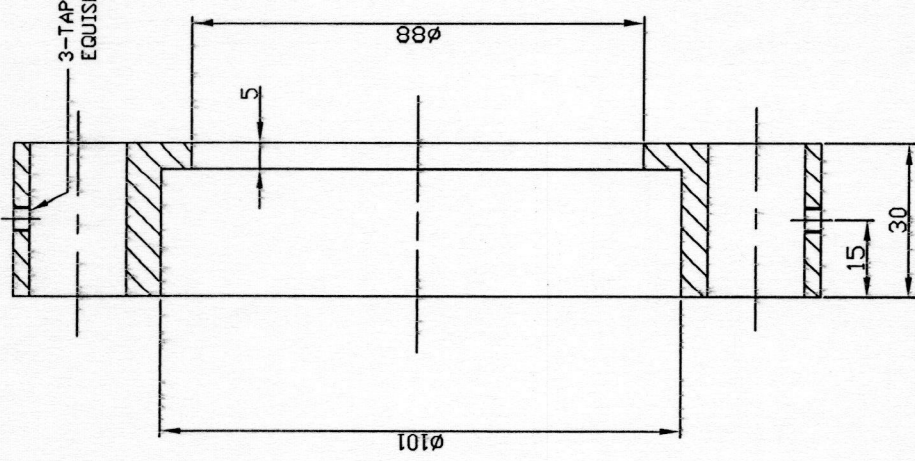
S.No.	DESCRIPTION	DRG.No.	DET.No.	No.OFF
1	SADDLE FOR 90mm S/C	HEMRL DRG HE/CAST 021	2	1
2	STAND OFF LEG FOR 90mm S/C	HEMRL DRG HE/CAST 021	3	3
3	BUSH	HEMRL DRG HE/CAST 021	4	3
4	ALLEN SCREW M5 X 5 LONG	ND	-	3

DRN. ALS	CHD.	TRD.	COMP.	ASSY.DRG. HEMRL DRG HE/CAST 021
C D'MAN	SVA D/C D.O.	SCALE- 1 : 2	EST MASS.	
APPROVED	<i>[Signature]</i>	GAUGE SCHD.	DATE: 06-08-2004	
	FOR DIRECTOR			
R. NO.	DATE	AHSP	DO SIGN.	DESIGNER'S REF HEMRL DRG HE/CAST 021
		ZONE	RIVISON	DET No. 1 SHTS. SHT.No.
				PART NO
				D.S.CAT.No.
				AH.S.P.

SADDLE ASSEMBLY

PART NO. ON DRAWING CONVENTIONS CONFORM TO IS: SPECIFICATION DIMENSIONS ARE IN mm

GEN. TOL. COARSE CLASS TO IS: 2102



NOTE:

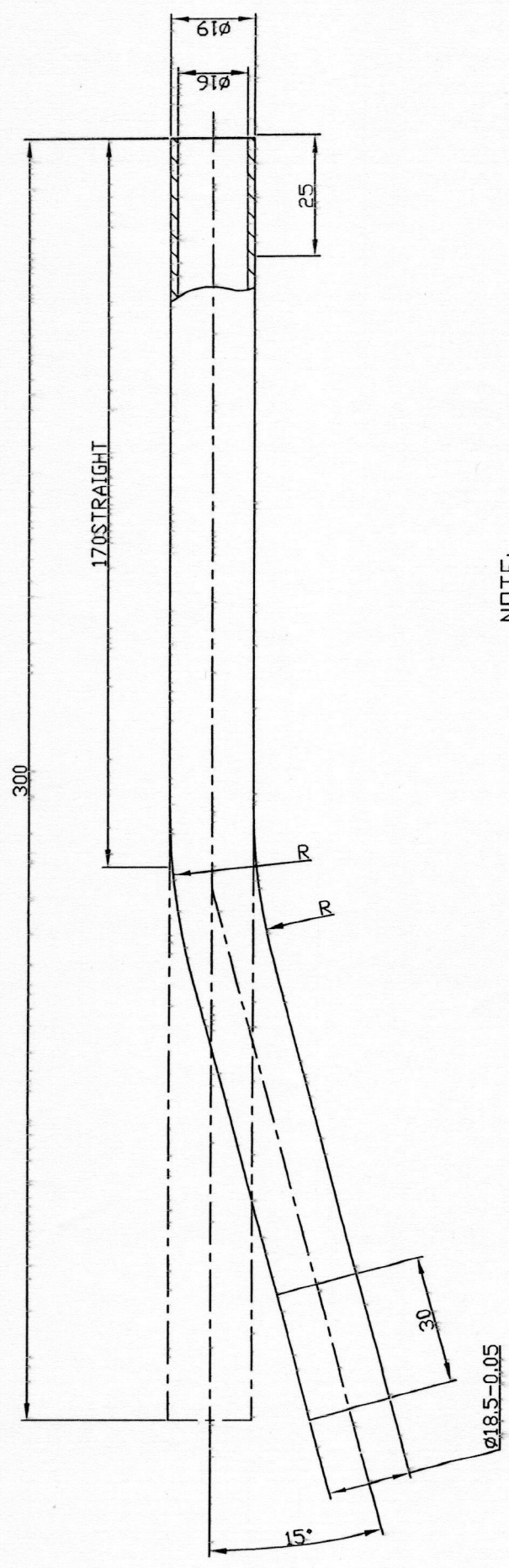
OUTER & TOP SURFACE OF SADDLE TO BE PAINTED WITH READY MIXED AIR DRYING OLIVE GREEN IS: 220 TO IS: 5-2004 TO SPEC IS: 168-1993

DRN. ALS	CHD.	TRD.	COMP.	ASSY. DRG. HEMRL DRG HE/CAST 021/14062 SHIT1
C D'MAN	APPROVED	SCALE: 1:1	EST MASS.	
		GAUGE SCHD.	DATE: 05-08-2004	
		MATL: ALUMINIUM CASTING TO SPEC IS 617/1994		
		PROTECTIVE FINISH: NA		
R. NO.	DATE	AUTHORITY	RIVISON	DESIGNER'S REF
				HEMRL DRG HE/CAST 021
				DET No. 2
				SHTS. SHT.No.
				PART NO
				D.S.CAT.No.
				A.H.S.P.

SADDLE FOR 90mm S/C

8 7 6 5 4 3 2 1

CONTR. PART No. DRAWING CONVENTIONS CONFDR. IS SPECIFICATION DIMNS. ARE IN mm GEN.TOL.MEDIUM CLASS TO IS2102



NOTE:

OUTER DIA OF TUBE TO BE PAINTED WITH READY MIXED
 AIR DRYING OLIVE GREEN ISC220 TO IS:5-2004 TO SPEC IS:168 1993
 LIVING THE STEP DIA UP TO THE LENGTH OF 30

DRG. SEALED		R. DATE		AUTHORITY		RIVISON		ZONE		AHSF		DD		SIGN.	
DESIGNER'S REF		HEMRL DRG HE/CAST 021		PART NO		DET No. 3		SHTS.		SHT.No.		I.D.CAT.No.		A.H.S.P.	
ASSY.DRG. HEMRL DRG HE/CAST 021/1 & 062/3		TRD.		COMP.		SCALE: 1:1		EST MASS:		GUAGE SCHD.		DATE: 05-08-2004		FOR DIRECTOR	
C D'MAN		DI/C D.O.		APPROVED		CHD.		DIRN. ALS		TRD.		COMP.		SCALE: 1:1	
MATERIAL: ALUMINIUM TUBE TO SPEC IS7381994		PROTECTIVE FINISH: NA		MATERIAL: ALUMINIUM TUBE TO SPEC IS7381994		MATERIAL: ALUMINIUM TUBE TO SPEC IS7381994		MATERIAL: ALUMINIUM TUBE TO SPEC IS7381994		MATERIAL: ALUMINIUM TUBE TO SPEC IS7381994		MATERIAL: ALUMINIUM TUBE TO SPEC IS7381994		MATERIAL: ALUMINIUM TUBE TO SPEC IS7381994	

STAND OFF LEG FOR 90mm S/C

4

3

2

1

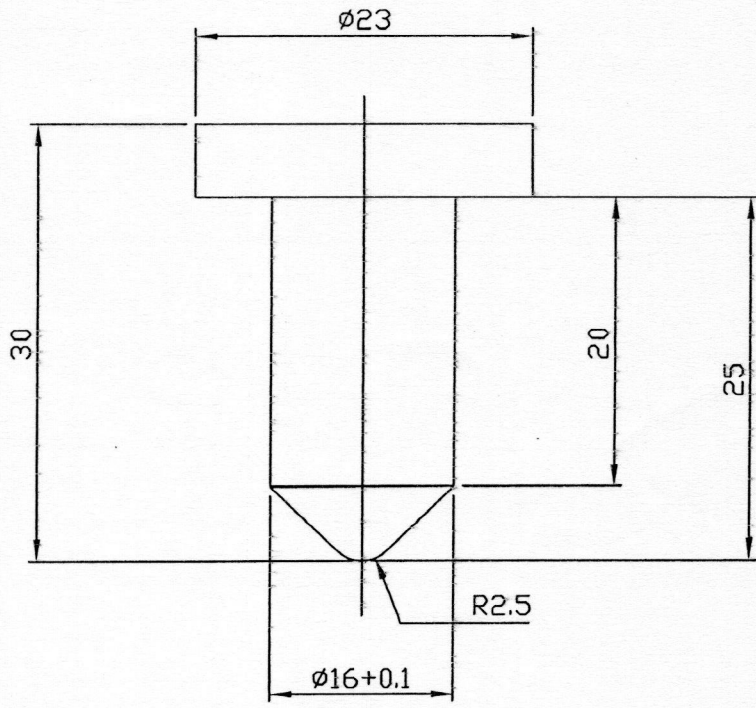
PART No. DRG. CONVENTIONS CONFORM TO IS: SPECIFICATIONS.
 DIMENSIONS ARE IN mm.

F

E

D

C



MATL: NEOPRENE RUBBER TO JSS 9320-04:1999

R.No.	DATE	AUTHORITY	REVISION	ZONE	AHSP	D.O.
					SIG.	

DRG. SEALED:-

DRN. ALS	CHD.	TRD.	COMP.	ASSY. DRG. HEMRL DRG HE/CAST 021/1,025/3,62/3 &63/5
C.D'MAN	SPVA 0 1/2 D.O.	SCALE:- 2 : 1	EST.MASS:-	
APPD.	<i>[Signature]</i> FOR DIRECTOR	GAUGE SCHD:-	DATE:- 24-06-2004	

MATL:- AS ON DRG
 PROTECTIVE FINISH:- NA

DESIGNER'S REF.
 HEMRL DRG HE/CAST 021
 DET NO 4 | SHTS. | SHT.NO.
 PART No.
 D.S.CAT No.
 AHSP:-

A

BUSH