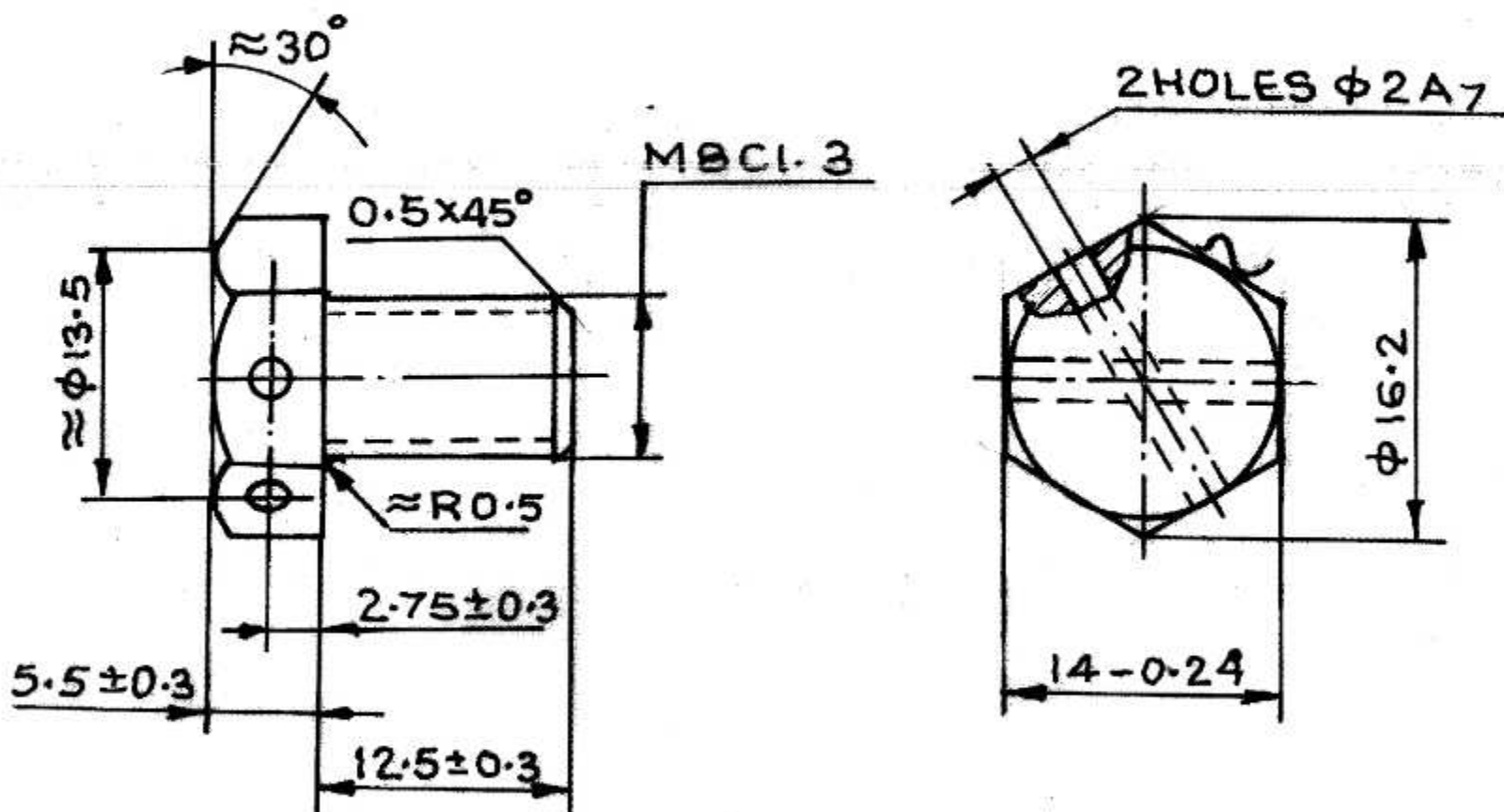


DS CAT No.

5306-009324

DIMNS. ARE IN mm.

$\nabla 3$, UNLESS OTHERWISE SPECIFIED.



1. HEXAHEDRON 14-5 GOST 8560-67.
2. BLUNT SHARP EDGES, $R \approx 0.6$ mm.
3. COATING : Cd 9 Cr.

POSSIBLE ALT MATL:- STEEL 080 M40, BS 970 PT-I-83 (NORMALISED)
OR 40 C8 TO IS:5517-78.

COATING:- CADMIUM PLATING Cd 8 TO SPECIFICATION IS:1572-68
FOLLOWED BY CHROMATE PASSIVATION TO IS:1340-73.

ID = 198
01-02-03

22 $\frac{10}{03}$	18814-W	HINDI NOMENCLATURE ADDED.	Date DAC		CQA(AVA)AVADI
28-1-02		RE TRACED WITHOUT CHANGE			DRN:-
		PREV DC No. 16313-W, 16881-W, 17068-W & 17142-W/1-11-91			CHD:-
DATE	AUTHY	ZONE	NATURE	SIG AHSP	SIG DO
AMENDMENTS					
DRG SEALED:- 17068-W 7-5-91 DO CQA(W)					
SCALE:- 2:1		ESTD mass:- 0.013		DATE:- 21-6-84	
MATL :- STEEL 40 GOST 1061-73 K30-I-OST 3-1686-73					
ASSY DRG.					
BOLT बील					
			PART No. 2A20 01-32		
DS CAT No. 5306-009324					

CQA(AVA)AVADI

DRN:-

CHD:-

TCD:- RKS

CHD:- SKT

G.P. Shukla

C/D MAN

DO

AHSP

FOR CQA(W)

DESIGN No.

4-24260

PART No.

2A20 01-32

DS CAT No.

5306-009324