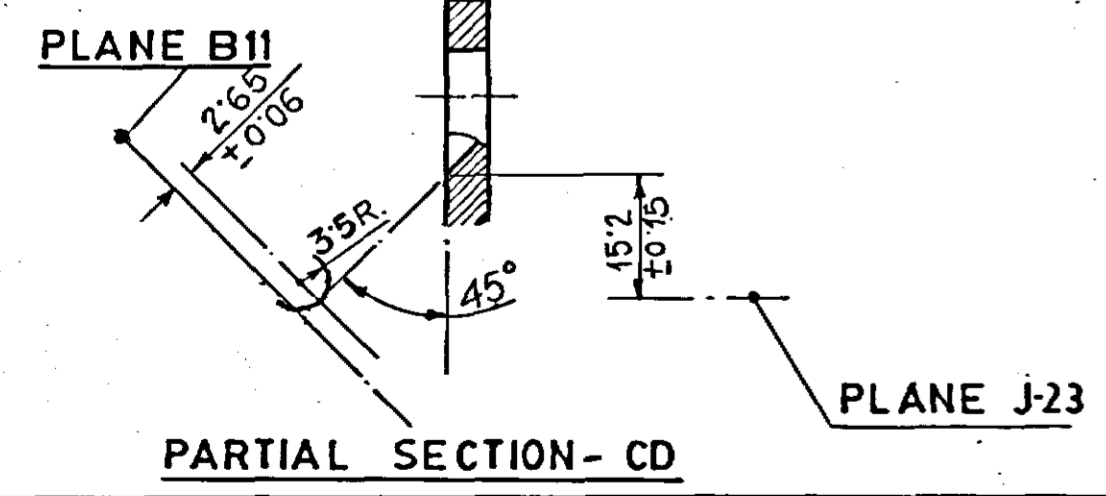
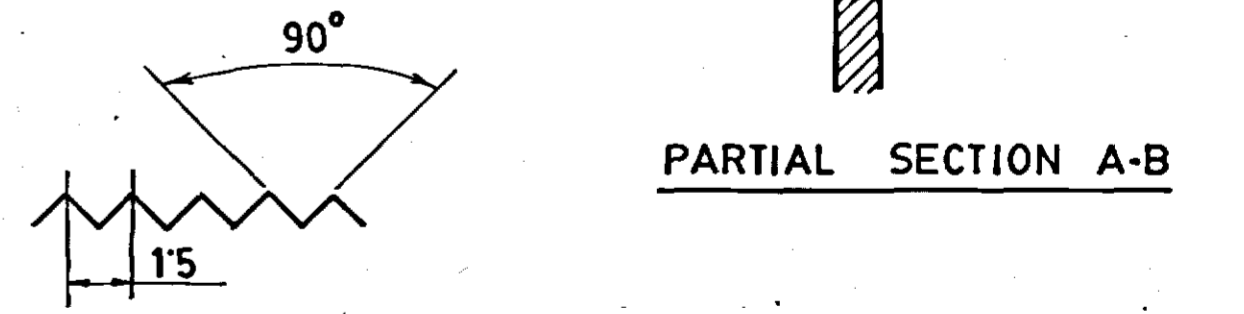
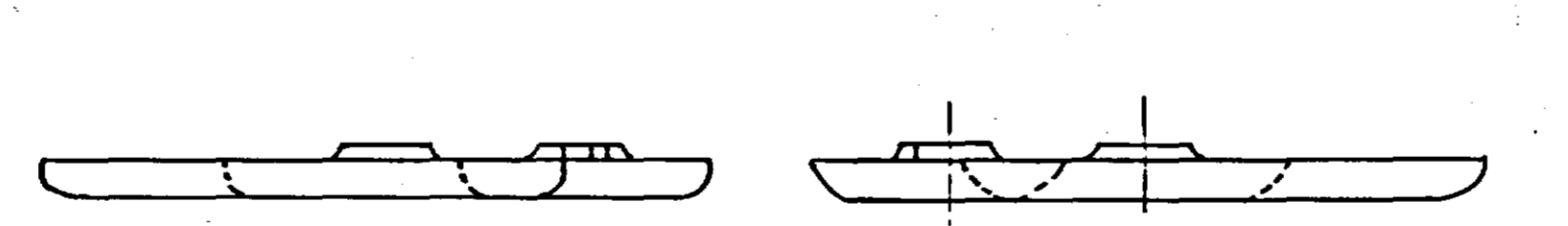
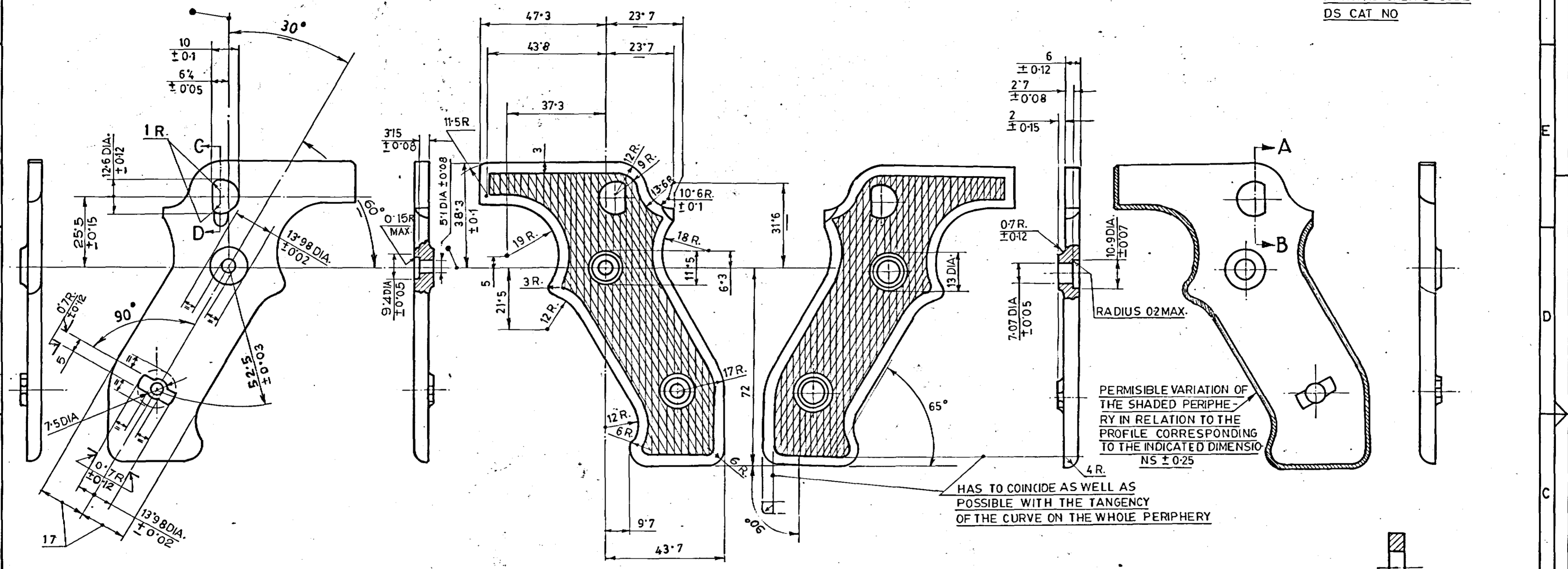


DSCAT.1005-000602 & NO. 1005-006849

DRAWING CONVENTIONS CONFORM TO IS: 356-0104
DIMNS ARE IN MM GEN TOL. MEDIUM IS: 2102

NOTE:-
MARKING SUITABLY ON SAMPLE
YEAR OF MANUFACTURE
MANUFACTURER S CODE
DS CAT NO



SIDE STOCK, TRIGGER GRIP LEFT.
D S CAT. NO. 1005-000602

STOCK, RIGHT BODY
D S CAT. NO. 1005-006849

ENLARGED VIEW OF THE SERRATIONS
SCALE: 4:1

11-03-2002	25286SA	RECORD OF RECEIPT CANCELLED AND DRG. SEALED AFRESH.	DRN.	CHD.	TRD PSRAY.	COMP. <i>Binha</i>	AHSP.CQA(SA),ICHAPUR
8-1-98	24019-SA	NOMENCLATURE AMENDED & D S CAT. NO. ADDED	SCALE 1:1 & 4:1		EST. MASS.		ASSY: DS CAT. NO.1005-006847
10-9-97	23911-SA	MATERIAL SPECN. AMENDED.			APPROVED DT		NO. 1005-000604
26-7-96	23409-SA	PROFORM CHANGED, CONVENTION NOTE ADDED, NEG. RE-TRACED AND DRG. RE-SEALED.			NEG RETRACED		DGNRS REF
		PREVIOUS DC NOS. 15592-SA, 16125-SA, 16608-SA, 20904 SA, 21728-SA, 23246SA & 23252-SA.			DT. 29-7-96	VC DO	
DATE AUTHY		BRIEF RECORD	ZONE	ICDO.	G.0	HT/HARDNESS	PART No 1095 & 96A
SEALED: DC. NO. 25286-SA		DT. 11-03-2002.		SIGN			DRG No C 131
NOMENCLATURE	SIDE STOCK, TRIGGER GRIP LEFT AND STOCK, RIGHT BODY.				PROTECTIVE FINISH		D.S. CAT No 1005-000602 & 1005-006849