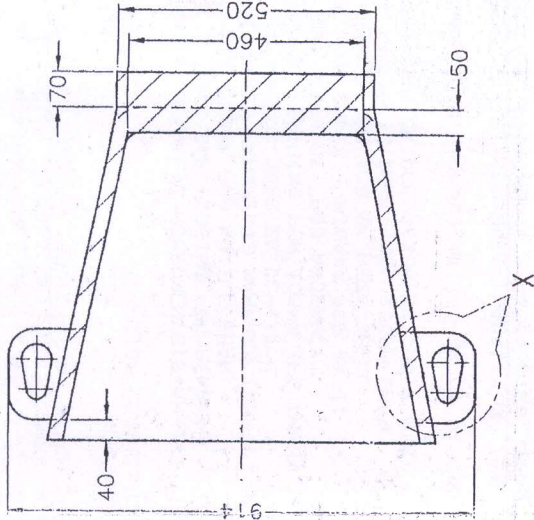
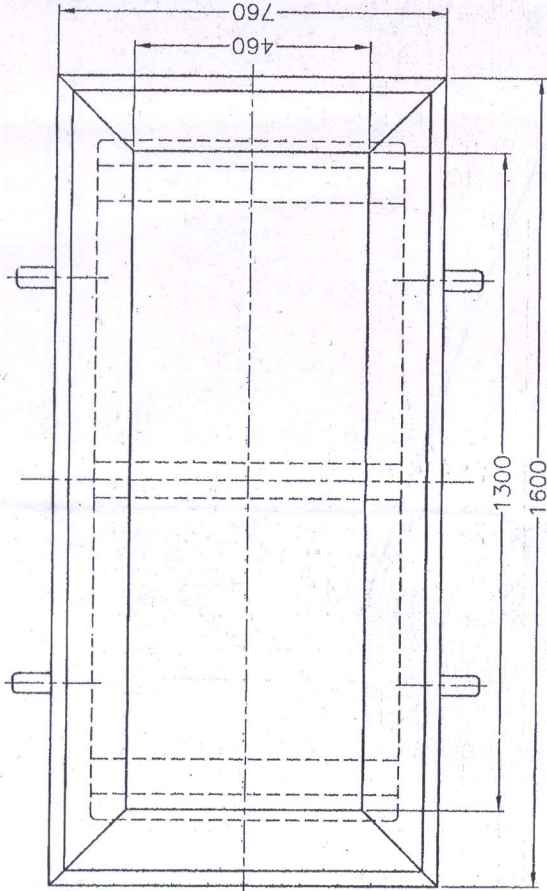
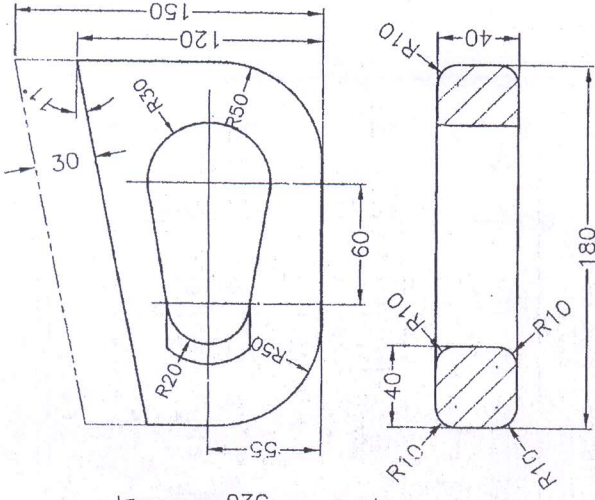


DRG. NO. FDY-300

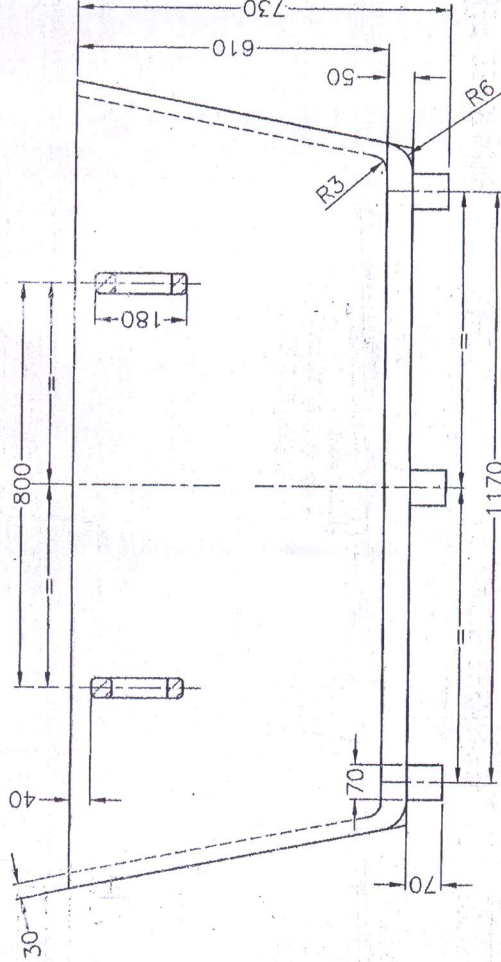
DRG. FOR GUIDE SUPPLY ONLY



VOLUME OF THE BIN = 511180 cm<sup>3</sup>



DETAILED AT X



ISSUED BY CDD/ORDN  
 यह प्रति सो की ओ. एक. ए. ओ.  
 द्वारा दी गई है।  
 के. ए. क.  
 जाले 18.07.16 / HOSICDD

NOTE:- ALL SHARP CORNERS TO BE REMOVED

DIMENSIONS ARE IN mm		THIRD ANGLE PROJECTION	
SCALE - 1:10	NAME	DATE	
2013	kg	16/02/13	
DRAWN	CHECKED		
JWM/CDD			
GJWM/FD			
APJWM/DC			

REV	DATE	DESCRIPTION	SIGN

AMENDMENTS	

MATERIAL - STEEL CASTING TO IS:1030-1998 GRADE - 250-250M	ORDNANCE FACTORY AMBAJHARI
NOMENCLATURE	DRAWING NO. FDY-300
METAL RECOVERER BIN FOR ALPUR DEGASSER	SHEET NO.- 1
	NO. OF SHEETS - 1
	FEATURE NO.
	COMPT.

STORE