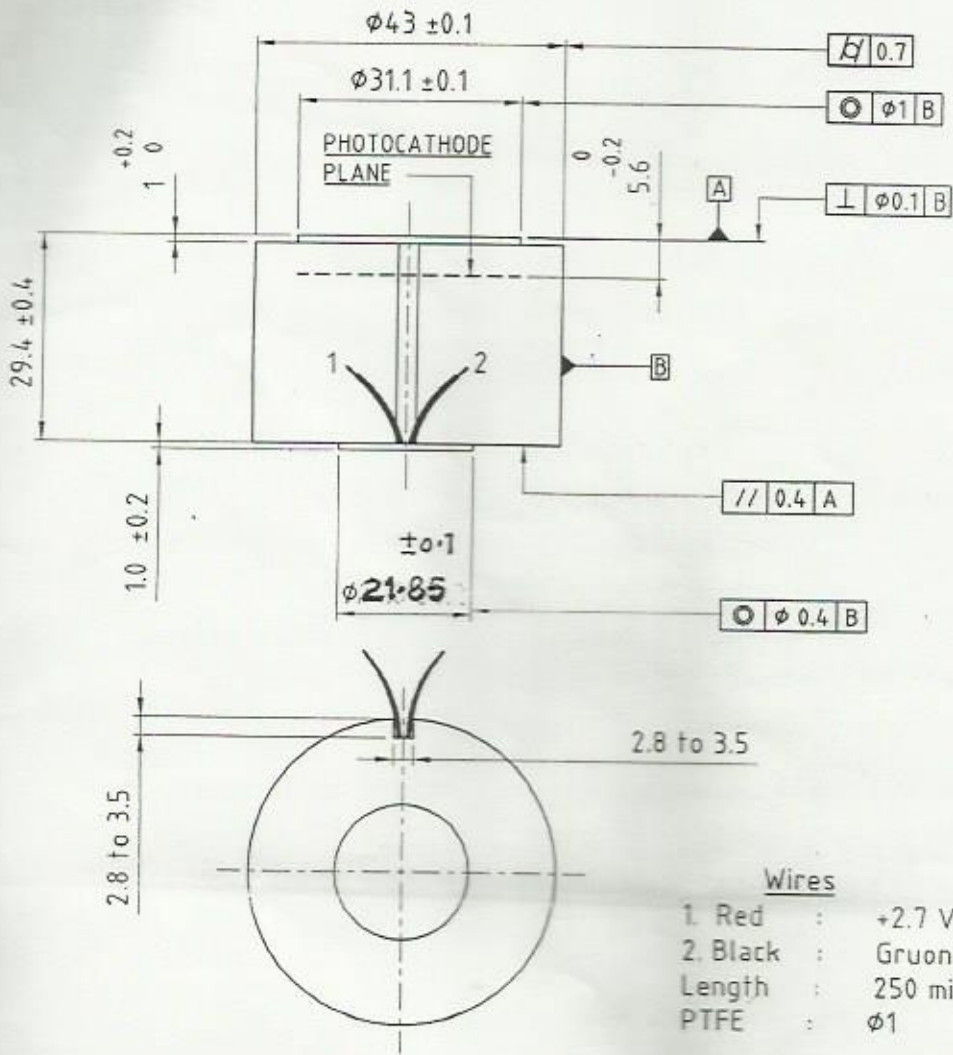


DIMENSIONAL SPECIFICATIONS OF IMAGE INTENSIFIER TUBE
18 MM AVG GLASS INPUT 64 Lp/mm. LIMITING RESOLUTION AND
INVERTING FIBER OPTIC OUT PUT SURFACE PLANE

2



Wires

- 1. Red : +2.7 V
- 2. Black : Ground
- Length : 250 min
- PTFE : $\phi 1$

Input Window

- Flatness : 30 fringes
- Refractive Index : 1.487

Note :-

1. Reference plane **A** is the cylinder with the smallest diameter that fits around the plastic housing.
2. Optical axis concentric within $\phi 0.254$ to reference circle **A**.

FOR TRADE ONLY
 Date of Issue: 28.10.18
 2

ALL DIMENSIONS ARE MM.
 IMPORTANT DIMENSIONS MARKED THIS ϕ
 INFORMATION MARKED THIS \dagger TO BE MARKED ON

	DR.- R.K.SHARMA	DT.-3.01.2010	SCALE- 1:1
	TR.-	MATL.	TREAT.
	CH.-	SHTS.- 1	SHT. NO.- 1
DATE: 7/2013 Dtd. 4/5/2013	APPROVED.	DRAWING No.- MCT-2894/1	
AMENDMENTS.	<i>JWS</i>		
QFD/DO/002	JWM/DO. WM/ASSY.		