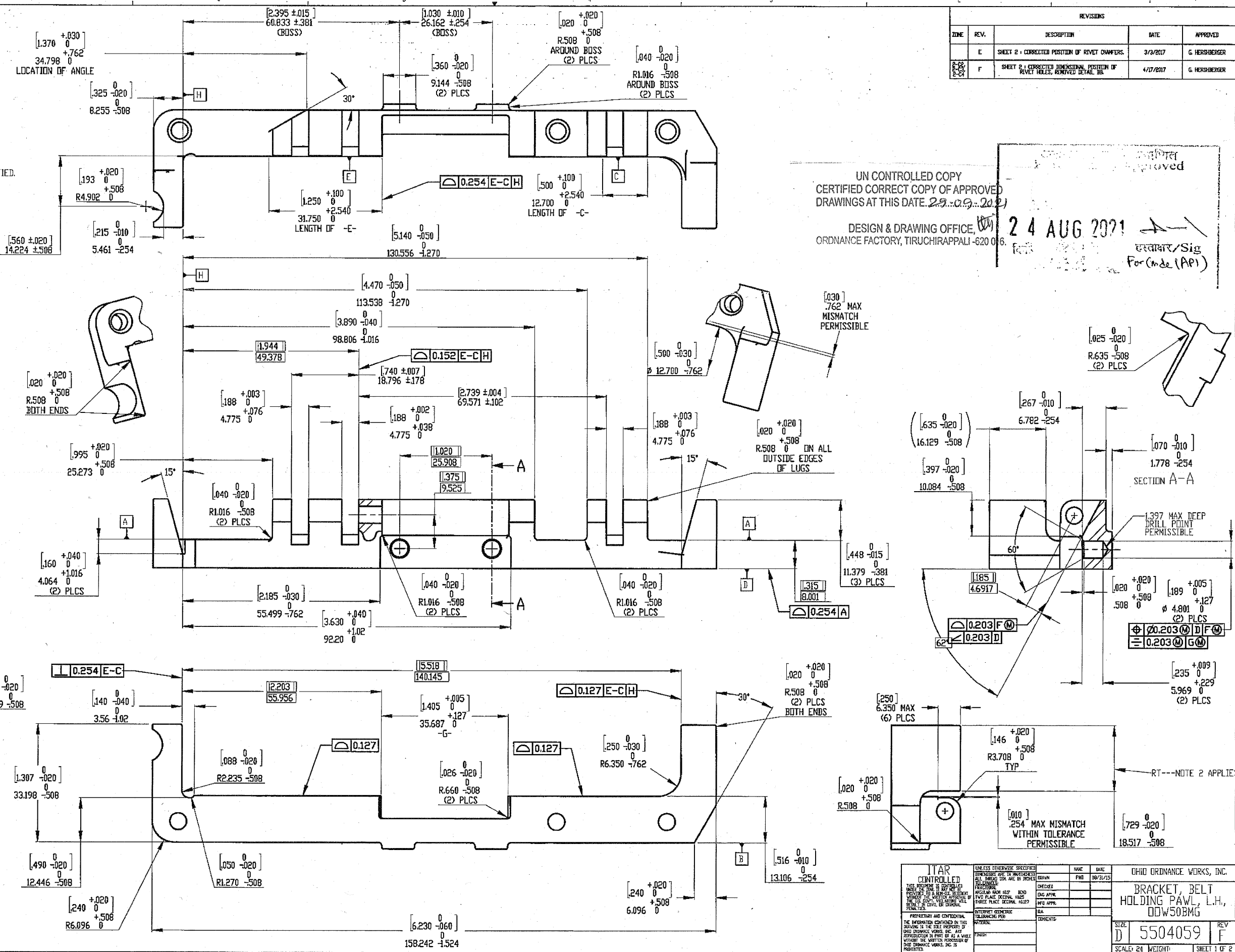


NOTES:

1. APPLICABLE SPECS/STANDARDS:
A. ASME Y14.5M-1994
2. MATERIAL:
A. WROUGHT MATERIAL: STEEL, ASTM A322 OR A108, 4140 OR 4140.
B. PRECISION CASTING: STEEL, MIL-S-22141, TC4140. TENSILE TEST SHALL NOT APPLY. CASTING SHALL BE IN ACCORDANCE WITH CLASS 2, GRADE B & C (AS SHOWN) OF SAE AMS 2175.
3. FINAL PROTECTIVE FINISH: APPLIED AFTER ASSEMBLY.
4. SURFACE FINISH: FINISH ³² ALL OVER.
5. BREAK EDGES 0.076 + 0.305 UNLESS OTHERWISE SPECIFIED.
6. BRACKETED "C" DIMENSIONS LOCATING TARGET POINTS HAVE A ±0.762 TOLERANCE.

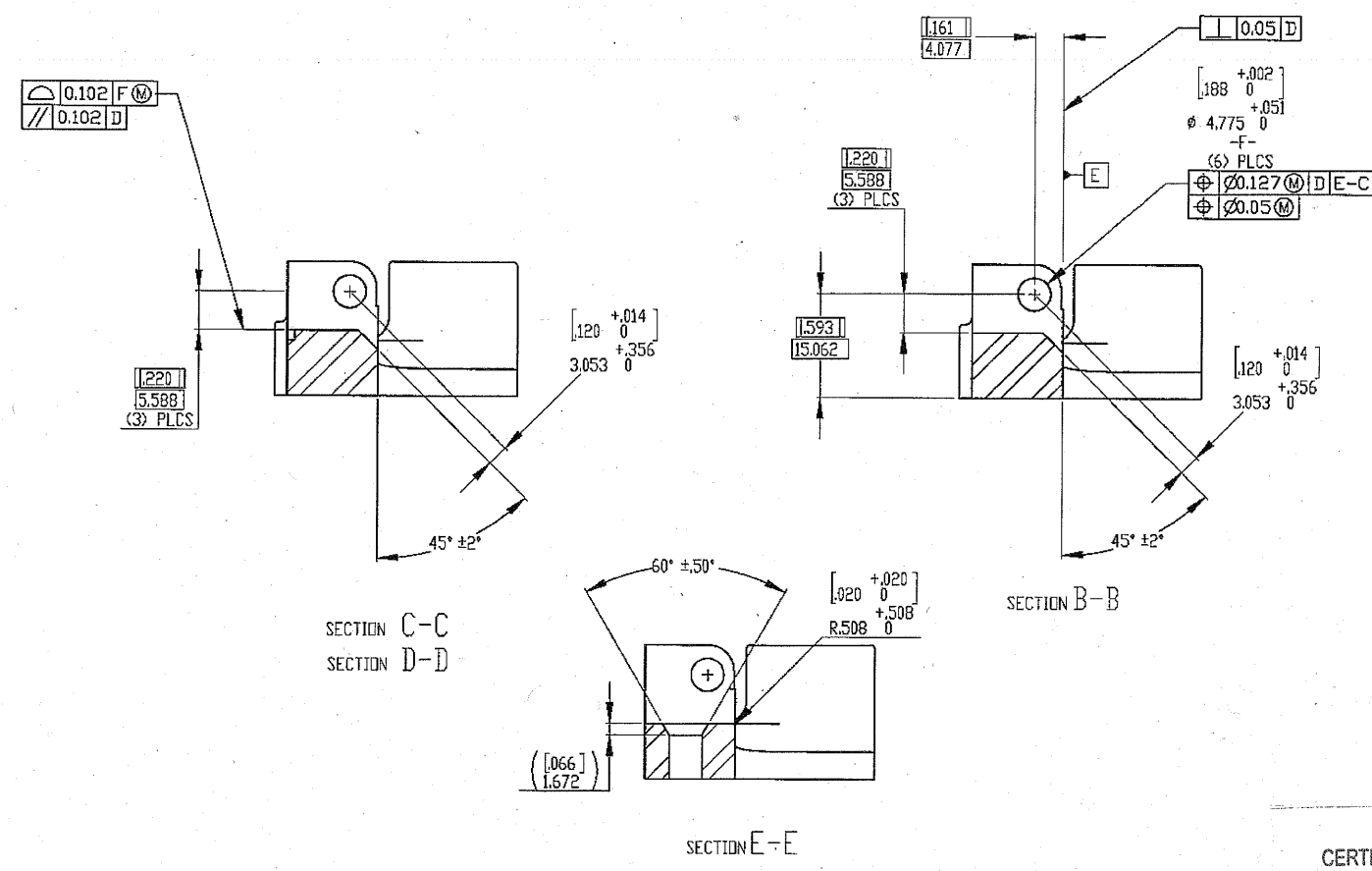
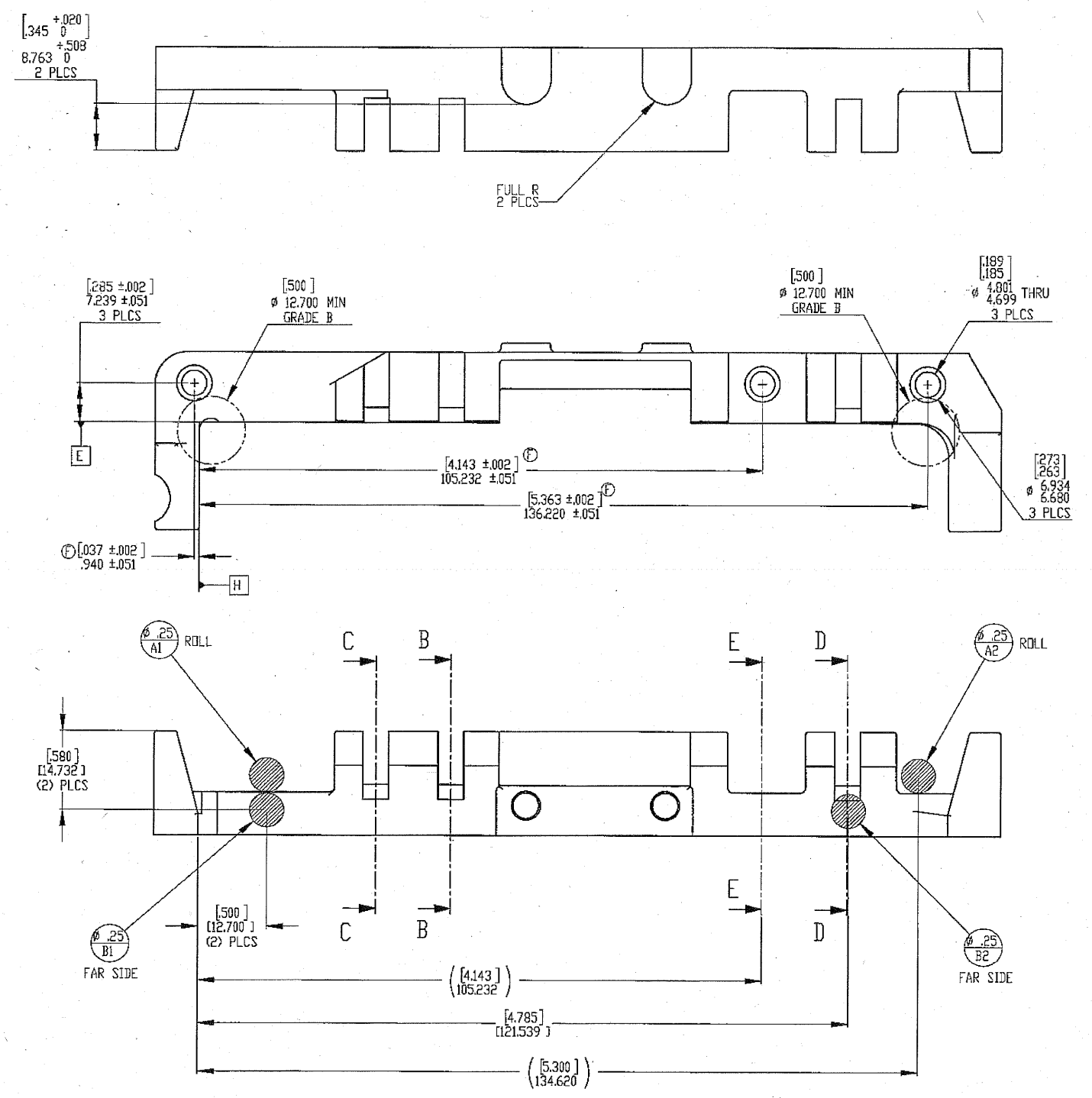
REVISIONS				
TIME	REV.	DESCRIPTION	DATE	APPROVED
	E	SHEET 2 - CORRECTED POSITION OF RIVET DIMENSIONS	9/3/2017	G. HERSHBERGER
	F	SHEET 2 - CORRECTED DIMENSIONAL POSITION OF RIVET HOLES, REMOVED DETAIL BB	4/17/2017	G. HERSHBERGER



ITAR CONTROLLED		UNLESS OTHERWISE SPECIFIED DIMENSIONS ARE IN INCHES		DATE	
DATE	REV.	ISSUED	BY	DATE	BY
OHIO ORDNANCE WORKS, INC.					
BRACKET, BELT HOLDING PAWL, L.H., DDW50BMG					
SIZE	D	5504059	REV	F	
SCALE	2:1	WEIGHT			
SHEET 1 OF 2					

M1212

REVISIONS				
ZONE	REV.	DESCRIPTION	DATE	APPROVED
-	-	See Sheet 1	-	-



UN CONTROLLED COPY
 CERTIFIED CORRECT COPY OF APPROVED
 DRAWINGS AT THIS DATE. 29.09.2021
 DESIGN & DRAWING OFFICE,
 ORDNANCE FACTORY, TIRUCHIRAPPALI-620 016.

Approved
 24 AUG 2021
 हस्ताक्षर/Sig
 For (Inde (AP))

ITAR CONTROLLED <small>THIS DOCUMENT IS CONTROLLED UNLESS OTHERWISE SPECIFIED ALL RIGHTS ARE RESERVED REPRODUCTION OR TRANSMISSION IN ANY FORM OR BY ANY MEANS WITHOUT THE WRITTEN PERMISSION OF THE ORDNANCE WORKS, DE IS PROHIBITED.</small>	<small>UNLESS OTHERWISE SPECIFIED DIMENSIONS ARE IN MILLIMETERS ALL DIMENSIONS ARE IN INCHES DECIMALS FRACTIONS ANGLES IN DEGREES THIS DRAWING IS THE PROPERTY OF THE ORDNANCE WORKS, DE IS AND IS TO BE KEPT IN CONFIDENTIALITY.</small>	<small>DATE</small> PREP 30/03/21	<small>DATE</small> 30/03/21	ORDNANCE WORKS, INC. BRACKET, BELT HOLDING PAWL, L.H., 00W50BMG SIZE D 5504059 SCALE: 2X WEIGHT: SHEET 2 OF 2
	<small>DESIGNED</small> <small>CHECKED</small> <small>ENG. APPROV.</small> <small>MFG. APPROV.</small> <small>QA</small> <small>COMMENTS</small>	<small>NAME</small> <small>PREP</small> <small>DATE</small> <small>30/03/21</small>	<small>DATE</small> <small>30/03/21</small>	
	<small>PROPRIETARY AND CONFIDENTIAL THE INFORMATION CONTAINED IN THIS DRAWING IS THE SOLE PROPERTY OF ORDNANCE WORKS, INC. ANY REPRODUCTION OR TRANSMISSION WITHOUT THE WRITTEN PERMISSION OF THE ORDNANCE WORKS, DE IS PROHIBITED.</small>	<small>DATE</small> <small>30/03/21</small>	<small>DATE</small> <small>30/03/21</small>	
	<small>DATE</small> <small>30/03/21</small>	<small>DATE</small> <small>30/03/21</small>	<small>DATE</small> <small>30/03/21</small>	