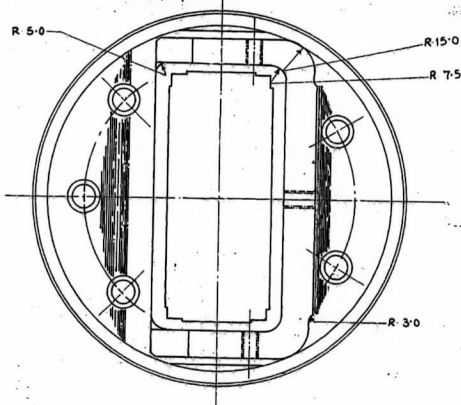
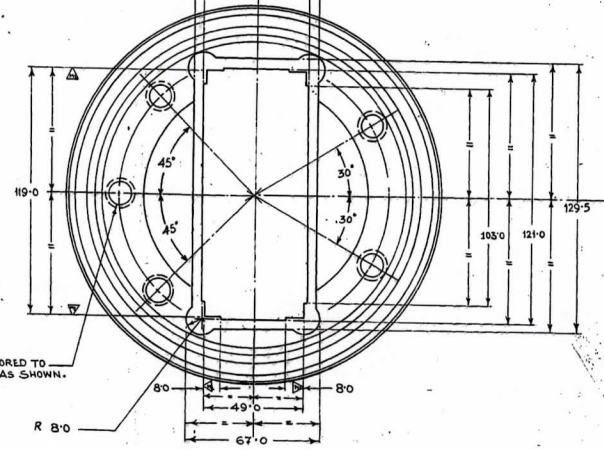
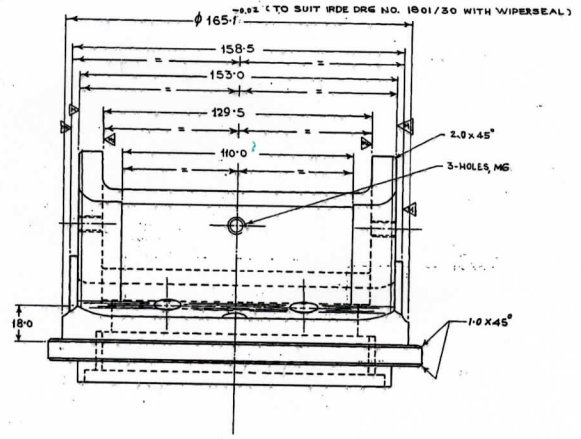
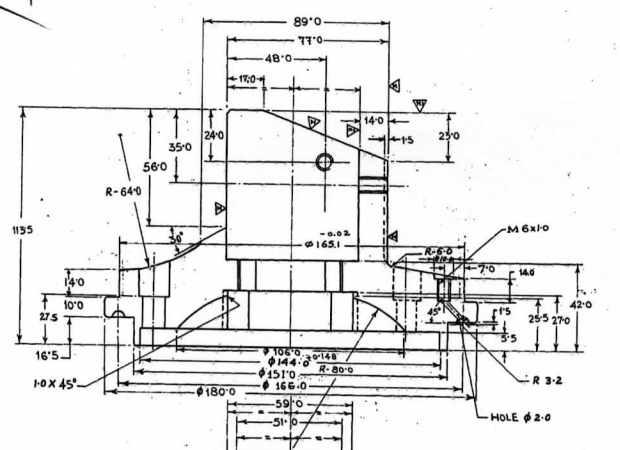




FOR EXPLANATION OF DIMENSIONING ETC. SEE IRDE NOTE 54



FOR BRADY ORM  
 Date of Issue 21-12-27



5-HOLES, 10.5 & C BORED TO 17.0 ON 15.0 P.C.D. AS SHOWN.

**BODY UPPER**

EXPERIMENTAL			
DRN.	TRCD.	CHKD.	APPROVED
SCALE: 1/1			DATE: 3/1/01
MATERIAL: STEEL, IS 1050-1962-84-2			
FINISH: PAINTED UNLESS APPROVED OTHERWISE			
IRDE 1801/28			

AMENDMENT	CHD	SIG	DATE

IRDE NO. V2/1240-014629

HOUSING FIRE CONTROL

CHD BY: D.M. (P) 24/02/02