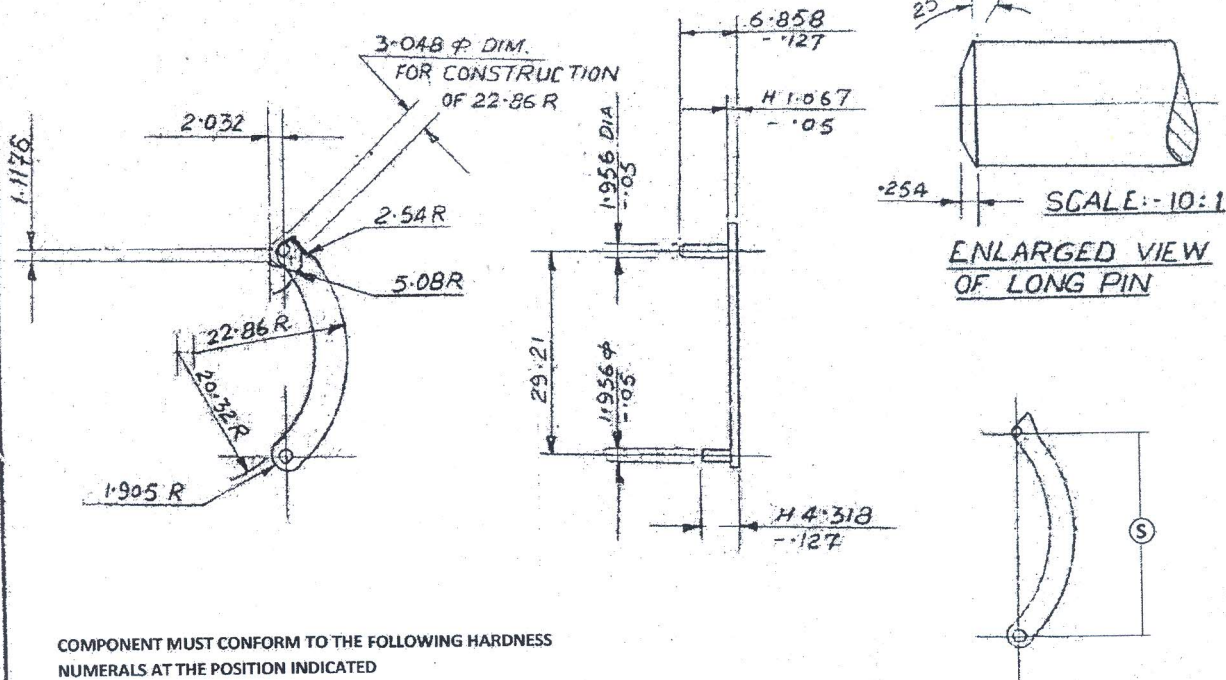


DRG. NO. SK-02051

NOM. SIZE & FIT	DEVIATION



COMPONENT MUST CONFORM TO THE FOLLOWING HARDNESS NUMERALS AT THE POSITION INDICATED

LETTER	D.P.N.
S	300-400

MATERIAL FOR MIM COMPONENTS

MIM 4605

C: 0.4-0.6% Mo: 0.2-0.5%

Si: 1.0% Ni: 1.5-2.5%

Fe: Balance

Sintered Density: 7.5 min g/cm³

HARDNESS: 40-45 HRC by Hardening & Tempering (Through Hardening)

A TOLERANCE OF -.075 IS ALLOWED ON ALL PROFILE

FINISH: - BROWNED

ALL DIMS ARE IN mm.

केवल निविदा हे
सर्व्म मॉग पत्र सं. 210110104
दिनांक 30/11/2021

ITEM	DESCRIPTION	NOOFF	MATERIAL	TREATMENT	STD.	REMARKS
SCALE	NTS	COMPONENT	STORE DRG. NO.	FIELD GUN FACTORY KANPUR		
UNSPECIFIED TOLERANCES IS : 2102 (MEDIUM)	0.32" REVOLVER	32-0100				
2021	DATE	NAME	STOP SAFETY			
DRN.		Calal				
CHD.						
TCD.						
COMP.						
JWM/DDO		W. J. W.				
JWM/SEC.	24.6		APPROVED		DO/SHOP	AD/ODC
					DRG. NO. SK-02051	
					SHTS ↑	SHT. NO. ↑