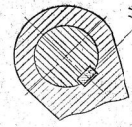


1:4 ANGLE PROTECTION	DR6-ND VMT-SK-119-14000-11	ANTHENTICATED BY	
SETTING ROLLER ASST	IP5 SCC	SUPPLIED BY	
WINDING PVC			
	2344-03-00 MK		
	DR6-ND		
	307200000000		
	16		
	72		
	17		
	8155		
	SETTING ROLLER ASST		

Рисунки для 2344-03-00 MK

5-6
Масштаб 1:1
С. 16



* DESCRIBED IN PNEUMATIC CIRCUIT DIAGRAM

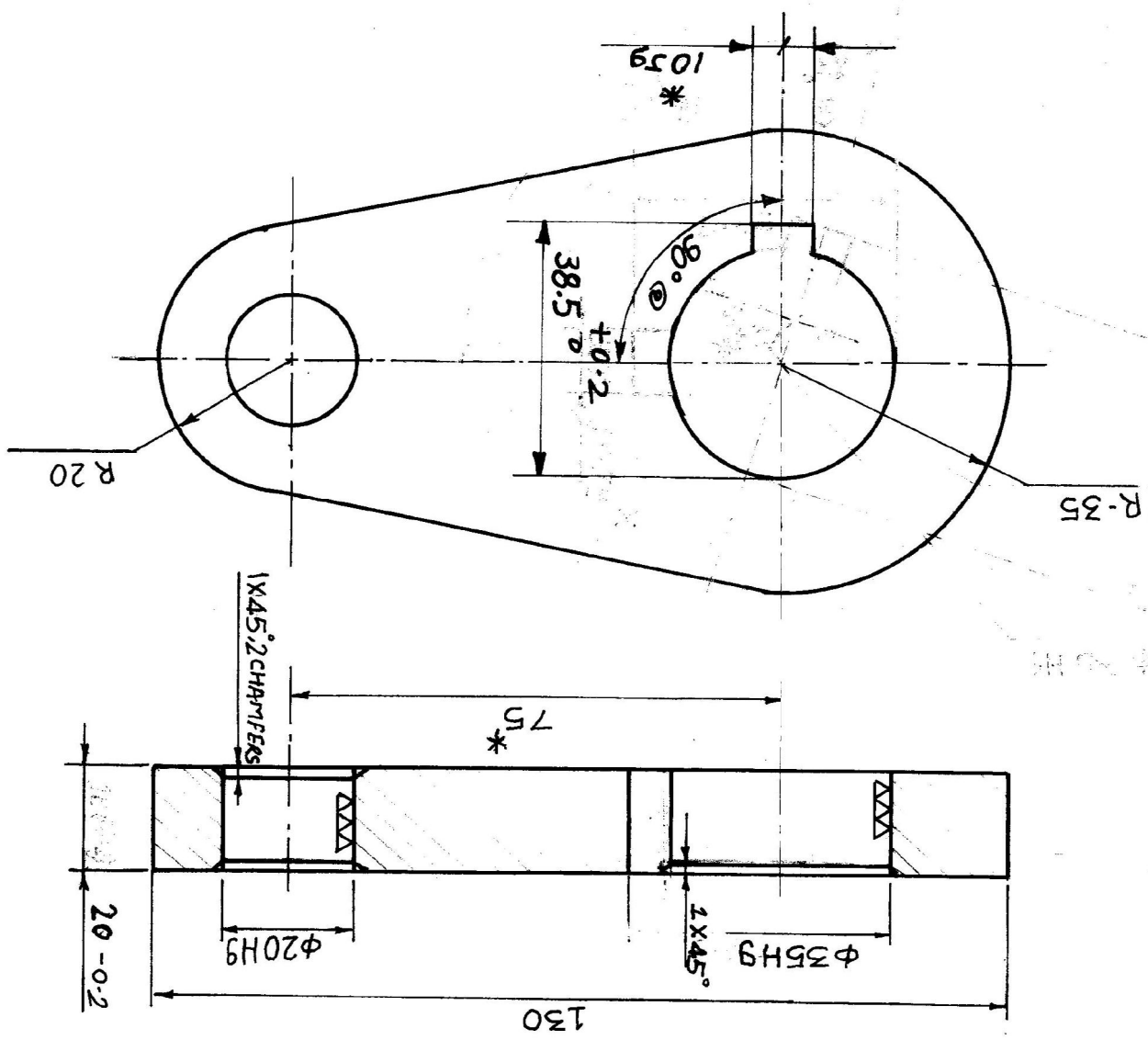
A-A
Масштаб 1:1
С. 16

I
Масштаб 1:1
С. 16

Рисунки для 2344-03-00 MK
ДОК 14638-79

1 LINK PART NO. 40C8 MATERIAL IS:5517		125 GCCC WINDING M/C		1:1 SCALE		10 J9 20 H9 35		DEVIATION -0.015 +0.015 +0.052 +0.062		NOMINAL SIZE & FIT 10 J9 20 H9 35	
1 LINK PART NO. 40C8 MATERIAL IS:5517		125 GCCC WINDING M/C		1:1 SCALE		10 J9 20 H9 35		DEVIATION -0.015 +0.015 +0.052 +0.062		NOMINAL SIZE & FIT 10 J9 20 H9 35	
1 LINK PART NO. 40C8 MATERIAL IS:5517		125 GCCC WINDING M/C		1:1 SCALE		10 J9 20 H9 35		DEVIATION -0.015 +0.015 +0.052 +0.062		NOMINAL SIZE & FIT 10 J9 20 H9 35	

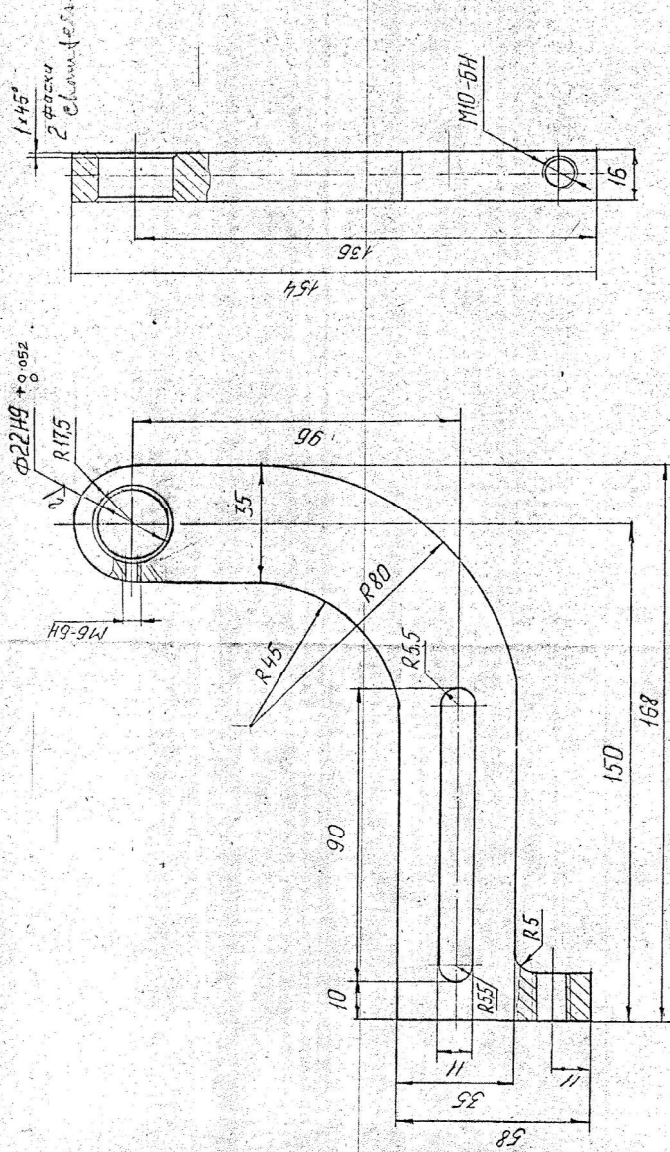
* TO BE DONE ON ASSEMBLY
 PHOSPHATED



R-10
V/M

1. Неказанные пред. аткл. размеров:
отв-Н14, валов-Н14, асталыных-±ТГ4
2. Покрытые: Хим. Фос. ГОСТ 9.073-77

1. Unspecified dimensional deviations from
Н14-Н14, валов-Н14, асталыных-±ТГ4
2. Coating: chemical phosphating ГОСТ 9.073-77



2344-14-02MK

PHOSPHATED

DRG NO: VMT-SK-119-14003-12	AUTHENTICATED BY NO OFF-2
SETTING ROLLER ASSY	MATL: APC8
125 SCCC	SUPPORTED BY I.S: 5.5 17
WINDING MIC	
	2344-14-02MK
	Рычаг
	LEVER
	Сталь 35ГОСТ1050-74
	81037

ГОД РИШТА 1983

Имя Подпись Дата