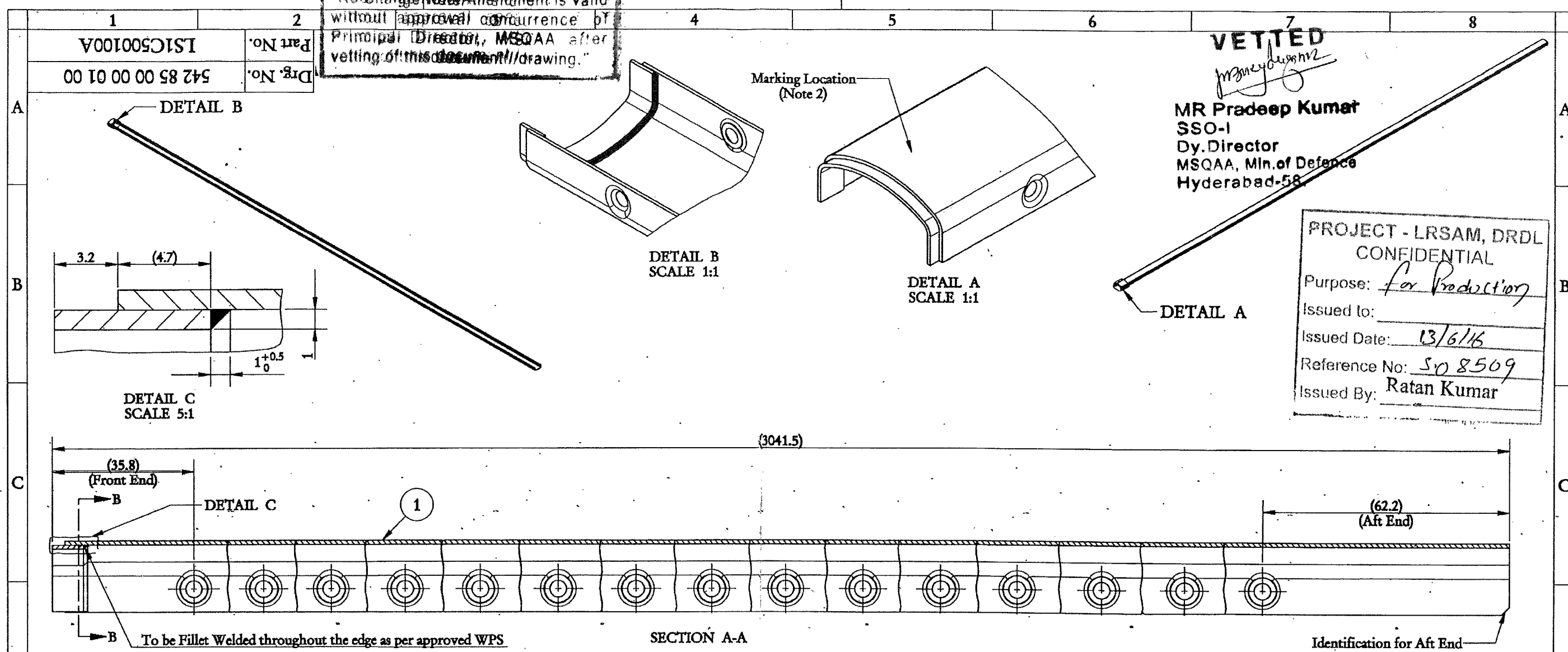
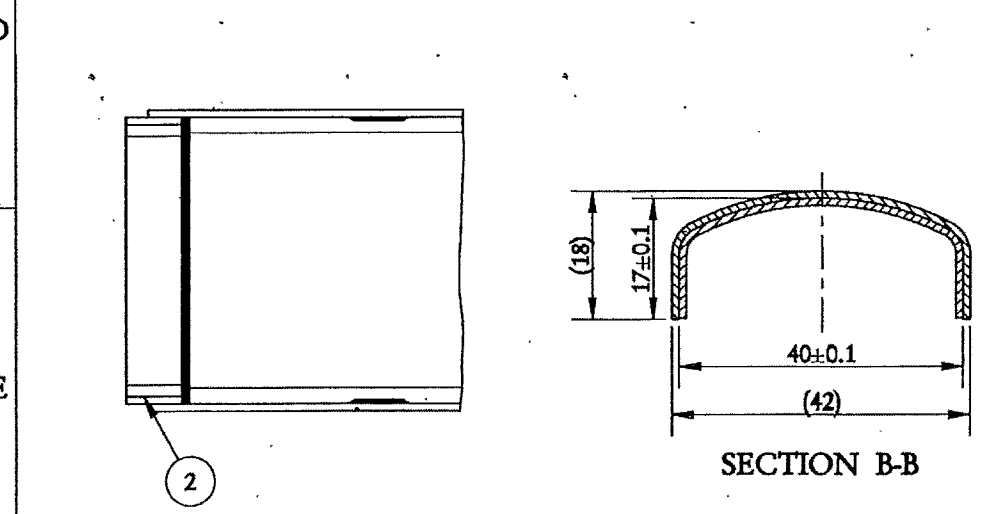


"No Change/Note/Amendment is valid without approval/concurrence of Principal Director, MSQAA after vetting of this document/drawing."



**VETTED**  
*Pradeep Kumar*  
**MR Pradeep Kumar**  
 SSO-1  
 Dy. Director  
 MSQAA, Min. of Defence  
 Hyderabad-58

PROJECT - LRSAM, DRDL  
 CONFIDENTIAL  
 Purpose: *for Production*  
 Issued to: \_\_\_\_\_  
 Issued Date: *13/6/16*  
 Reference No: *508509*  
 Issued By: *Ratan Kumar*



PROJECT - LRSAM, DRDL  
 Purpose: *For Reference*  
 Issued to: *OF Ambajhoori*  
 Issued Date: *30-01-2019*  
 Reference No: *175/RS/RED/CORR/DRDL*  
 Issued By: *Ratan Kumar*

Config. Control *Patrick D'Silva* (Patrick D'Silva)

S.No	Nomenclature	Drg No / Spec	Rev No	Qty	Material	Remarks
2	Conduit (Front Piece)	542 85 00 00 01 02	5	1	Steel SAE 4130	
1	Conduit	542 85 00 00 01 01	8	1	Steel SAE 4130	

Drawn to Spec. IS:10714-1983 (R 1999), IS : 10714 (Part 20) : 2001 & IS : 10714 (Part 21) : 2001 & DRDL Note Sheet 1 & 2			Deviation for Untoleranced Dimensions to conform to Spec. IS : 2102 - Medium (Part 1 & 2) : 1993				
All Dimensions are in mm		Scale	1:1	Product Design	Rupesh	Date	23 May 08
Mass	Material	Finish		APPD (DGN)	<i>Rupesh</i> (Ratan)		
1.561 kg				APPD (DRN)	<i>Rupesh</i> (Rupesh)		
<b>Conduit Assembly</b>				Tech. Officer			
				APPD (QA)	<i>M. Sailu</i> (M. Sailu)		
Defence Research & Development Laboratory				Assy. Drg. No.	542 85 00 00 00 00		
HYDERABAD				Drg. No.	542 85 00 00 01 00		
				Part No.	LS1C500100A		

NOTE:

No.	Description
1	QA requirement as per Plan No. DRDL/6200/78/Pr/034/R & QA.
2	Component ID No. to be engraved at marking location as per QA Plan.

Rev. No.	7	R. No.	DATE	30-May-16	AUTHORITY	Project	ZONE	1. BoM Updated.	BRIEF RECORD	INITIALS

Formas updated on 16-Jul-2012