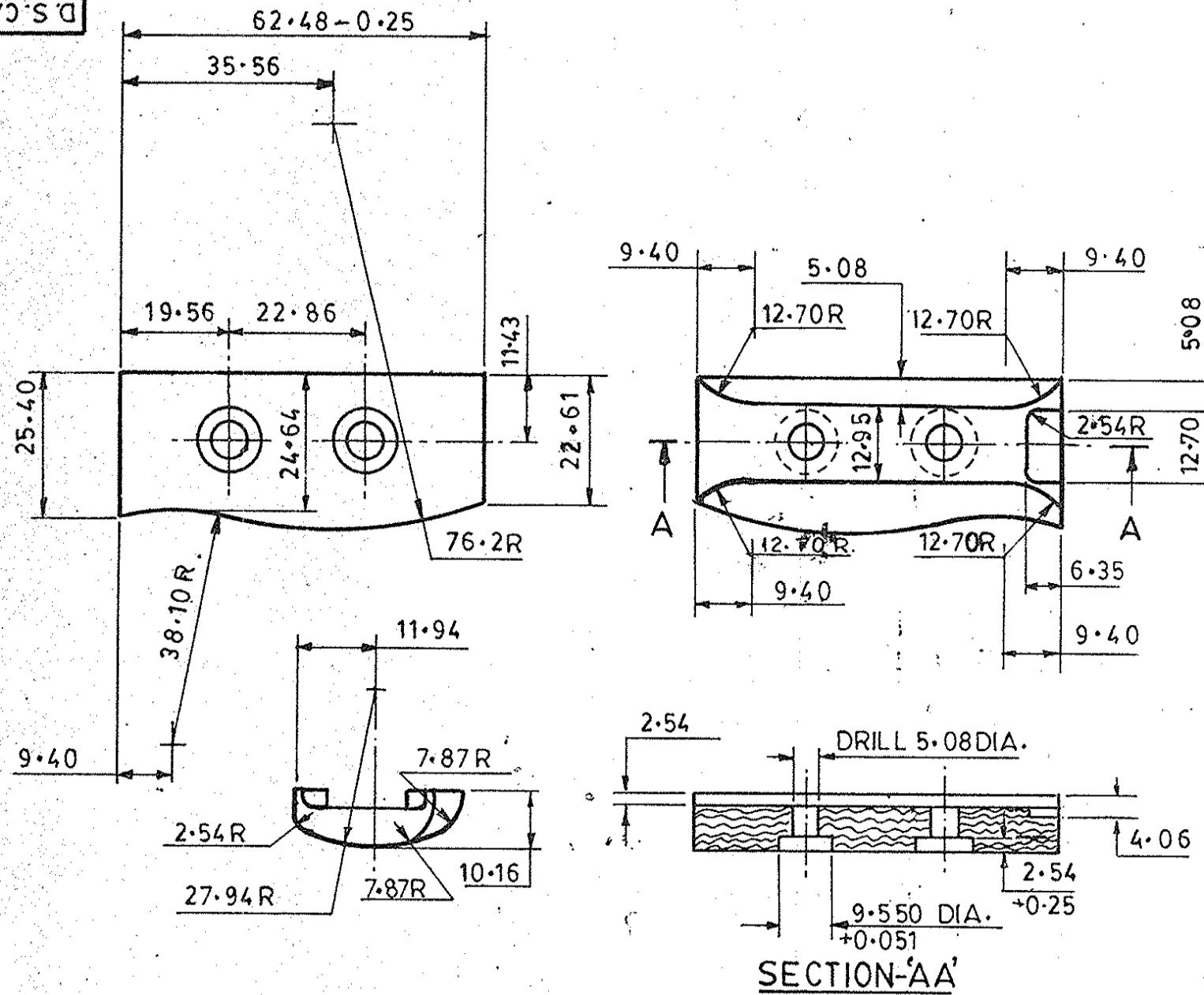


D.S.CAT. 5340-015796

FOR EXPLANATION SEE D.D. NOTE SHEET NO.3
DIMNS. ARE IN mm.



NOTE :-
WHERE TOLERANCES ARE NOT SHOWN
DIMENSIONS IN WHOLE NUMBER OR WITH
ONE DECIMAL PLACE ± 1.27 mm.
DIMENSIONS WITH TWO DECIMAL
PLACES ± 0.13 mm.

TREATMENT AND FINISH :-
IN ACCORDANCE WITH SPECNS. SA/586
AND SA/587A.

4/8/04

METRIC

11-9-2001	25119-SA	PROFORMA CHANGED, NEG. RE-TRACED AND DRG. RE-SEALED			DRN.	CHD.	TRD. SK Chosh	COMP. M. Baner	AHSP CQA(SA) ICHAPUR
		PREVIOUS D.C. NOS. 12024-SA AND 24618-SA.			SCALE :- 1:1			EST. MASS	ASSY. 1005-000951
					DT. 11-9-2001	I/C; D.O.		APPROVED DT. 18.4.67 NEG. RE-TRACED	
								MATERIAL :- WALNUT OR OTHER APPROVED WOOD	DGNER'S REF. D.D(E) 3640/4
								H.T/HARDNESS :-	PART NO.
								PROTECTIVE FINISH :-	DRG. NO.
									D.S.CAT. 5340-015796
									NO.

DATE AUTHY. BRIEF RECORD
SEALED :- D.C. NO. 12024-SA, DT. 16.5.74
NOMENCLATURE :- BAYONET NO.5 MK.1 GRIP, LEFT.

AM
DAC
COPY
SIGN.